



### SPECIFICATION

Current Rating: 3.0Amp  
 Insulation Resistance: 1000MΩ min  
 Contact Resistance: 20MΩ max  
 Withstand Voltage: 500V AC/DC  
 Operating Temperature: -40°C to +105°C  
 Contact Material: Brass  
 Contact Plating: Au or Sn Over Ni  
 Insulator Material: PBT/PA6T+30%GF UL 94V-0

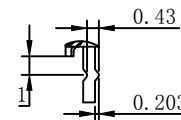
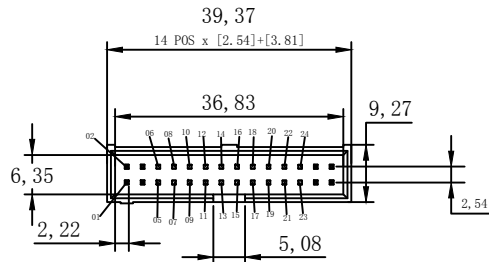
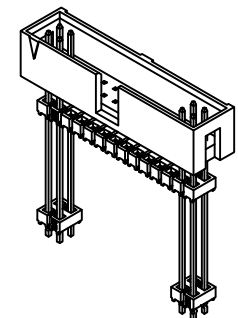
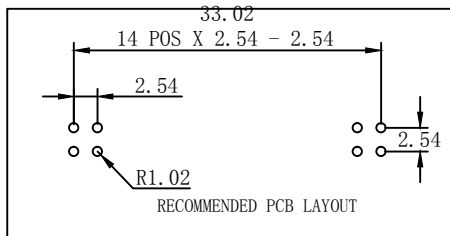
#### Ordering Code:

**BHDS05** - X - X - X - X - X  
 ① ② ③ ④ ⑤ ⑥

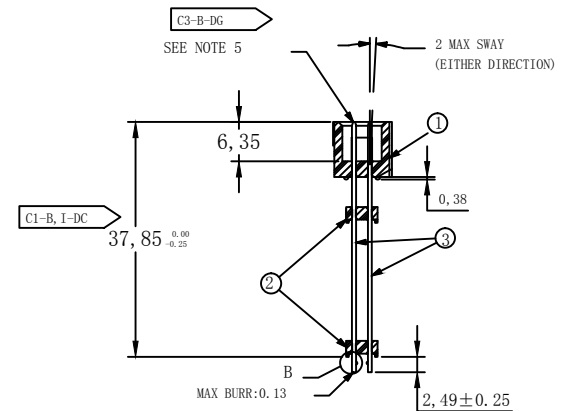
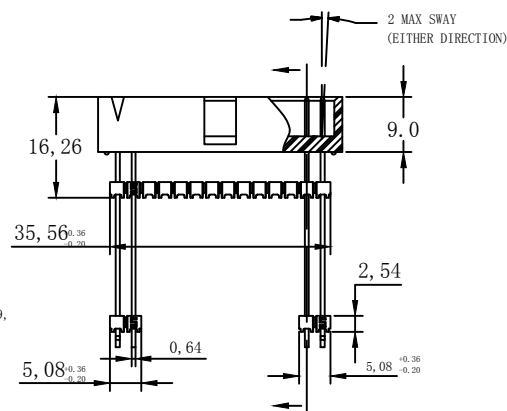
- ① Series No:
- ② No. of Contacts  
06 08 10 12 14 16 18  
20 22 24 26 28 30 32  
34 36 40 44 48 50 60  
64
- ③ Contact Plating:  
G0:Gold flash S0:Selective  
G1:3U" Gold S1:Selective 3u"  
G2:5u" Gold S2:Selective 5u"  
G3:10u" Gold S3:Selective 10u"  
G4:15u" Gold S4:Selective 15u"  
G5:30u" Gold S5:Selective 30u"  
SN:Tin
- ④ Color Insulator  
B:Black  
U:Blue  
G:Gray
- ⑤ Insulator Material  
A:PBT  
B:PA6T  
C:LCP  
D:PA46  
E:PA9T
- ⑥ Packing  
A:Tray B:Bag T:Tube  
U:Tube+CAP  
R:Tape&Reel  
W:Tape&Reel+CAP

#### NOTES:

- LEAD STYLE, SHEAR TAILS TO DIMENSION SHOWN AND POLARIZE POSITIONS 05, 06, 07, 08, 09, 10, 11, 12, 13, 14, 15, 16, 17, 18, 19, 20, 21, 22, 23, & 24 AND ADD EXTRA ITEM 2 BODY NOT AVAILABLE AS STANDARD.
- LOCKING LEADS TO BE ON POSITIONS 1, 2, 27, & 28.
- ☞ REPRESENTS A CRITICAL DIMENSION.
- MAXIMUM CUT FLASH: .010[0.25]
- MINIMUM PUSHOUT FORCE: 3 LB
- TERMINALS TO BE FLUSH TO .010 [0.25] BELOW TOP OF SHROUD.
- PARTS TO BE PACKAGED IN BULK.



DETAIL 'B'  
SCALE 3 : 1

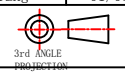


Unless Otherwise specified tolerance	
X. ±0.35	X.XX: ±0.20
X.X: ±0.25	X.XXX: ±0.15
SCALE: As Shown	UNIT: mm
DRAW WF ZHOU	DATE 01/05/2016
CHECK BobYang	DATE 01/05/2016

**Antenk** ANTENK ELECTRONICS CO.,LTD  
 Http://www.antenk.com  
 E-mail:sales@antenk.com

TITLE:  
2.54mm Box Header 180° H=9.0 Add Housing

DRAWING NO: BHDS05-XXXXX  
 PRODUCT NO: BHDS05-XXXXX



1	2	3	4	5	6	7	8
REV	DESCRIPTION			DATE			
1	2	3	4	5	6	7	8