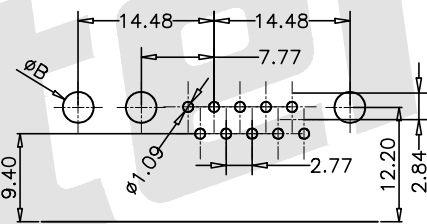
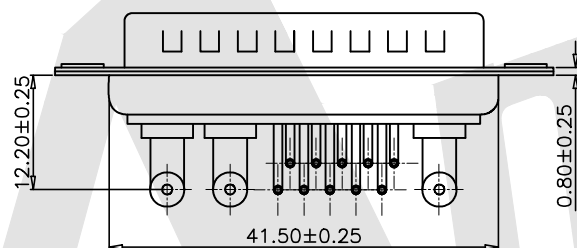
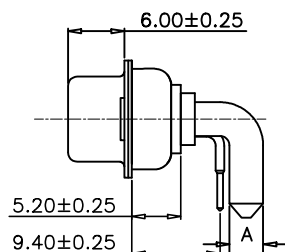
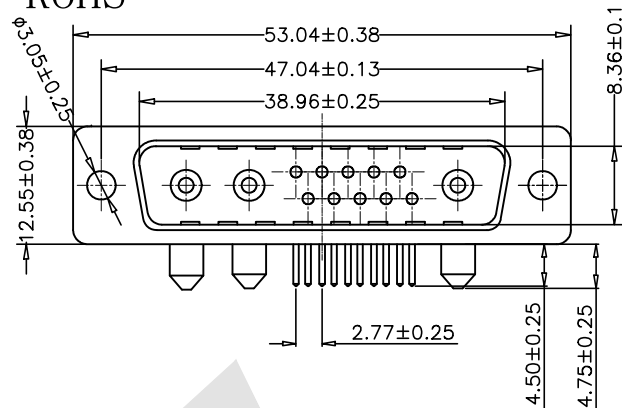


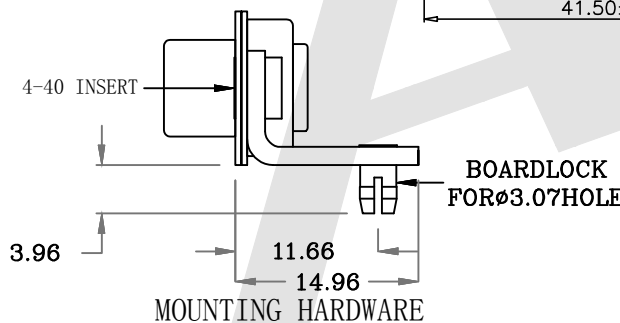
HSF

RoHS

Autodesk



PCB LAYOUT



Current Rating	Dimension	Dimension
	φ A	φ B
40 AMPS	φ3.75	φ4.20
30 AMPS	φ3.20	φ3.80
20 AMPS	φ2.8	φ3.28
10 AMPS	φ1.7	φ2.20

SPECIFICATIONS:

ELECTRICAL:  
 INSULATOR RESISTANCE: 5,000 MegOHMS Min.  
 DIELECTRIC WITHSTANDING: 1,000 VAC r. m. s.  
 OPERATING TEMPERATURE: -55°C ~ +125°C  
 CONTACT RESISTANCE: 30 MILLIOHMS Max.  
 POWER PINS: SEE PART No. BELOW

MECHANICAL:  
 CONTACT INSERTION FORCE: 4.5kg Max  
 CONTACT SEPARATOR FORCE: 0.3kg Min

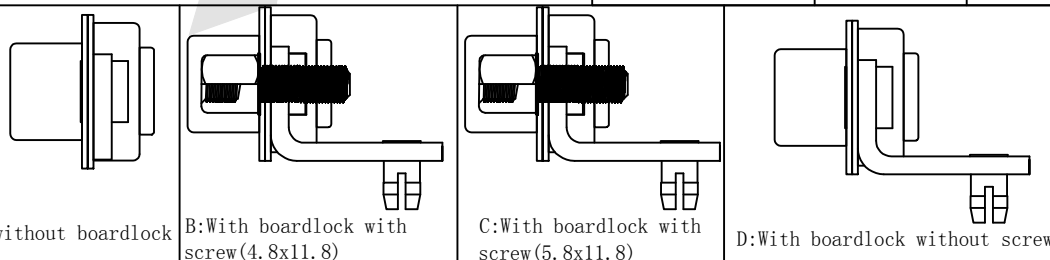
MATERIALS:  
 CONTACTS: BRASS  
 INSULATOR: PBT UL94V-0 RATED, 230°C PROCESS TEMP.

SHELL Material: STEEL  
 SHELL FINISH: NICKEL

Ordering Code:

PDR13W3	-M	-G0	-B	-20	-X
①	②	③	④	⑤	⑥

- ① Series
- ② Contact Type:  
M:Male F:Female
- ③ Contact NO. :  
G0: Gold flash G1: 3u" Gold  
G2: 5u" Gold G3: 10u" Gold  
G4: 15u" Gold G5: 30u" Gold
- ④ Insulation Color Code:  
B:Black L:Blue  
W:White
- ⑤ Power AMP:  
10 = 10AMPS; 20 = 20AMPS;  
30 = 30AMPS; 40 = 40AMPS;
- ⑥ Contact No:  
A: without boardlock  
B:B:With boardlock with screw(4.8x11.8)  
C:With boardlock with screw(5.8x11.8)  
D:With boardlock without screw



Unless Otherwise specified tolerance  
 X. ±0.35 X.XX: ±0.20  
 X.X: ±0.25 X.XXX: ±0.15

SCALE: As Shown UNIT: mm  
 DRAW Lv Xun Hua DATE 29/04/2019  
 CHECK BobYang DATE 29/04/2019



**Antenk** ANTENK ELECTRONICS CO., LTD  
 Http://www.antenk.com  
 E-mail:sales@antenk.com

TITLE:  
 POWER D-SUB 13W3 Right Angle PCB-MALE TYPE  
 DRAWING NO: PDR13W3-MXXXX  
 PRODUCT NO: PDR13W3-MXXXX

REV	DESCRIPTION	DATE

Autodesk