

SPECIFICATIONS:

- Voltage rating: 100V AC/DC
- Current rating: 2A AC/DC
- Withstanding Voltage: 800V AC/minute
- Insulation resistance: 1000MΩ Min.
- Temperature range: -25°C To +85°C
- Contact resistance: 20mΩ Max.

Standards

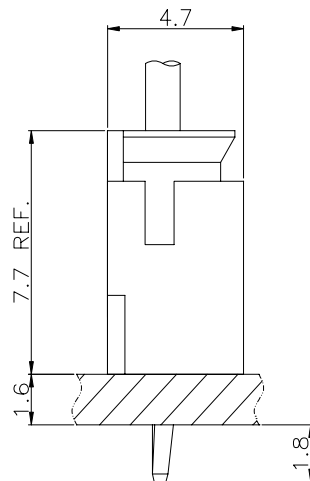
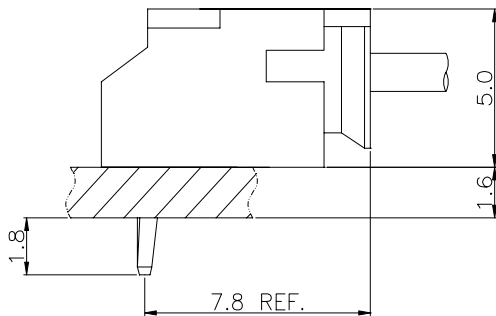
HSF



RoHS

Wire to Board

Assembly Layout



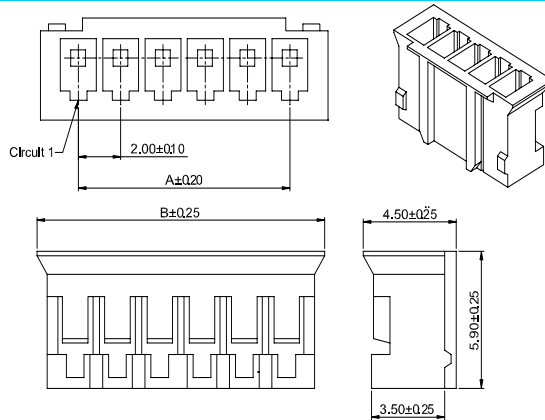
DIP TYPE

Connectors Expert Around You

2.00mm Pitch housing connector

HOUSING

- Part NO.:AH2002-xxP
- Poles:02-15P
- Mates with:AW2002 series Wafer
- Material:Nylon 66,UL94v-0
- Color:Brown



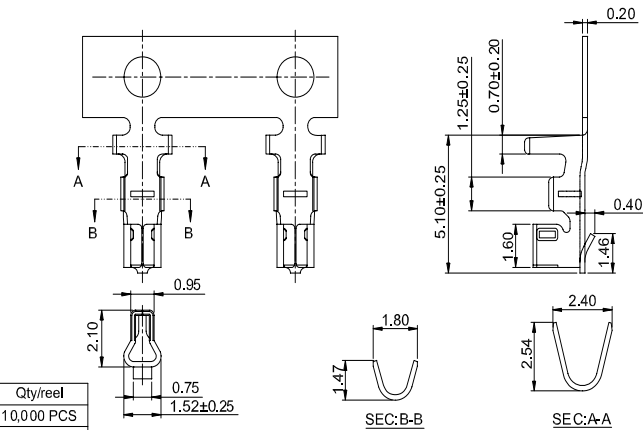
Ordering Information & Dimensions:

Poles	Part No.	Dimensions(mm)	
		A	B
2	AH2002-02P	2.00	5.60
3	AH2002-03P	4.00	7.60
4	AH2002-04P	6.00	9.60
5	AH2002-05P	8.00	11.60
6	AH2002-06P	10.00	13.60
7	AH2002-07P	12.00	15.60
8	AH2002-08P	14.00	17.60
9	AH2002-09P	16.00	19.60
10	AH2002-10P	18.00	21.60
11	AH2002-11P	20.00	23.60
12	AH2002-12P	22.00	25.60
13	AH2002-13P	24.00	27.60
14	AH2002-14P	26.00	29.60
15	AH2002-15P	28.00	31.60

2.00mm Pitch crimp terminal connector

TERMINAL

- Part NO:AT2002T-XP
- Applicable wire:AWG#24-#28
- Material:Phosphor Bronze
- Finish:Tin Plated or Gold
- Used in AH2002 series Housing



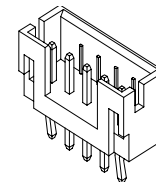
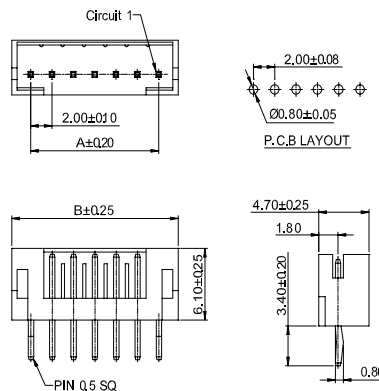
Ordering information & Specifications:

Part NO	Wire Range	Insulation O.D.	Material	Finish	Qty/reel
AT2002T-TP	AWG#24-#28	1.50mm(max)	Phosphor Bronze	Tin over Nickel	10,000 PCS
AT2002T-GP	AWG#24-#28	1.50mm(max)	Phosphor Bronze	Gold over Nickel	10,000 PCS

2.00mm Pitch 180° wafer connector

WAFER

- Part NO:AW2002V-xxP
- Material:Pin:Brass/Tin over Nickel
- Insulator:Nylon 66,UL94V-0
- Mates with:AH2002 series Housing
- Color:Brown



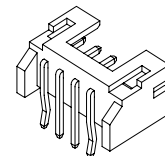
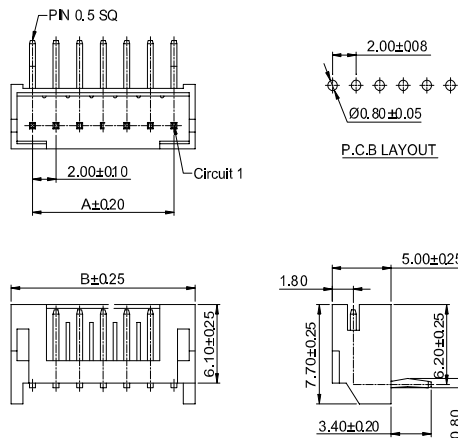
Ordering Information & Dimensions:

Poles	Part No.	Dimensions(mm)	
		A	B
2	AW2001V-02P	2.00	6.00
3	AW2001V-03P	4.00	8.00
4	AW2001V-04P	6.00	10.00
5	AW2001V-05P	8.00	12.00
6	AW2001V-06P	10.00	14.00
7	AW2001V-07P	12.00	16.00
8	AW2001V-08P	14.00	18.00
9	AW2001V-09P	16.00	20.00
10	AW2001V-10P	18.00	22.00
11	AW2001V-11P	20.00	24.00
12	AW2001V-12P	22.00	26.00
13	AW2001V-13P	24.00	28.00
14	AW2001V-14P	26.00	30.00
15	AW2001V-15P	28.00	32.00

2.00mm Pitch 90° wafer connector

WAFER

- Part NO:AW2002R-xxP
- Material:Pin:Brass/Tin over Nickel
- Insulator:Nylon 66,UL94V-0
- Mates with:AH2002 series Housing
- Color:Brown



Ordering Information & Dimensions:

Poles	Part No.	Dimensions(mm)	
		A	B
2	AW2001R-02P	2.00	6.00
3	AW2001R-03P	4.00	8.00
4	AW2001R-04P	6.00	10.00
5	AW2001R-05P	8.00	12.00
6	AW2001R-06P	10.00	14.00
7	AW2001R-07P	12.00	16.00
8	AW2001R-08P	14.00	18.00
9	AW2001R-09P	16.00	20.00
10	AW2001R-10P	18.00	22.00
11	AW2001R-11P	20.00	24.00
12	AW2001R-12P	22.00	26.00
13	AW2001R-13P	24.00	28.00
14	AW2001R-14P	26.00	30.00
15	AW2001R-15P	28.00	32.00

Wire to Board