



NOTE:

1. Type: SMT
2. Base Material: Heat Resistance Nylon, Black Colour
3. Flammability Rating: UL94V-0
4. Contacts: 0.35 Phosphor Bronze, Flash Gold
5. Output: 1.5V DC
6. Weight: 6.0g
7. RoSH Compliant

BT - M - GO - R - 2AAA-1

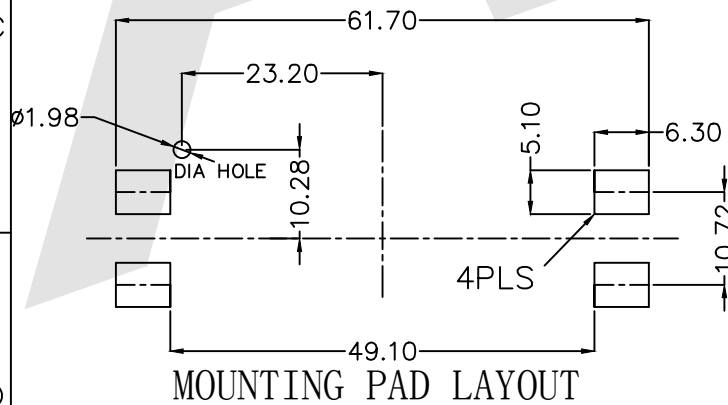
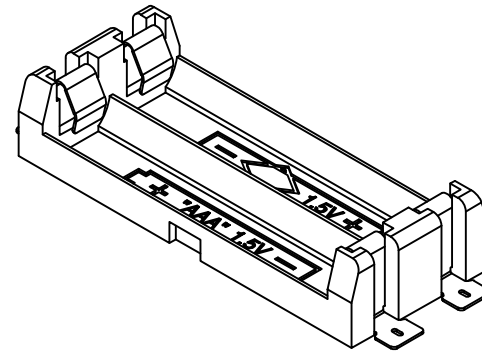
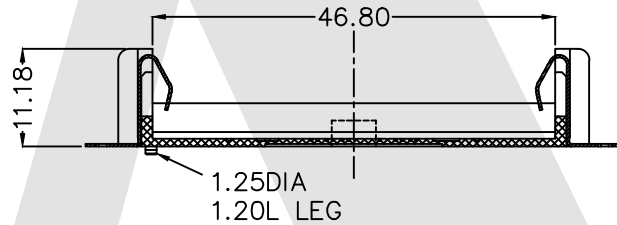
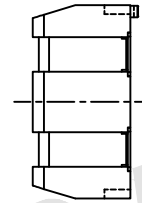
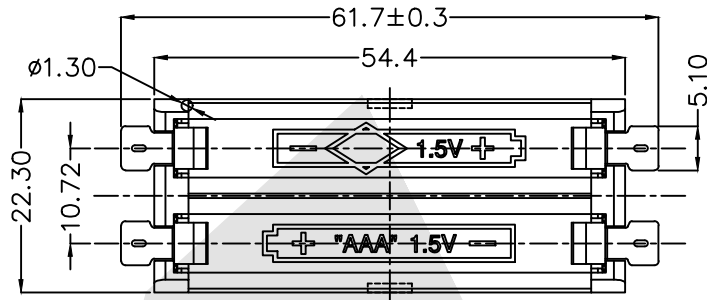
① ② ③ ④ ⑤

- ① BT: Coin Cell Holders
- ② Appearance for the product

M: SMT TYPE
S: 180 TYPE
R: 90 TYPE

- ③ Contact Plating
SI: NICKEL Plated
SN: Tin
G0: Gold flash
G1: 3U" Gold
G2: 5U" Gold
G3: 10U" Gold
G4: 15U" Gold
G5: 30U" Gold

- ④ Packing method
A: Tray packing
R: Tape & reel packing
- ⑤ Product number
2AAA-1



Unless Otherwise specified tolerance	
X: ±0.35	X.XX: ±0.20
X.X: ±0.25	X.XXX: ±0.15

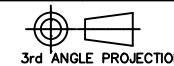
SCALE: As Shown	UNIT: mm
DRAW Lv Xun Hua	DATE 30/03/2019
CHECK Bob Yang	DATE 30/03/2019

Antenk ANTEK ELECTRONICS CO.,LTD
Http://www.antenk.com
E-mail: sales@antenk.com

TITLE: Coin Cell Holders For 2AAA

DRAWING NO: BT-M-GO-R-2AAA-1

PRODUCT NO: BT-M-GO-R-2AAA-1



REV	DESCRIPTION	DATE
-----	-------------	------