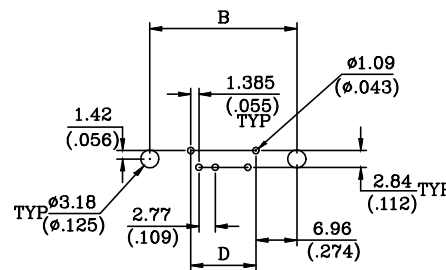
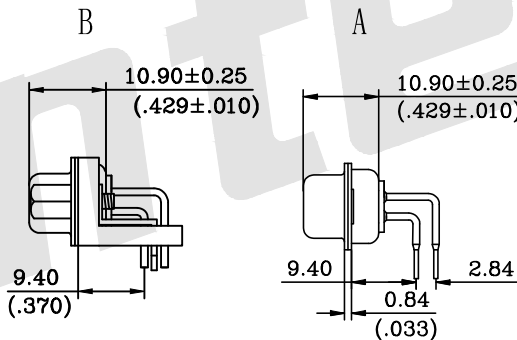
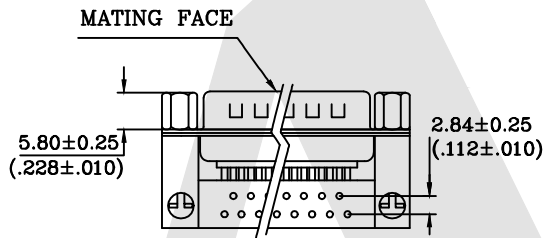
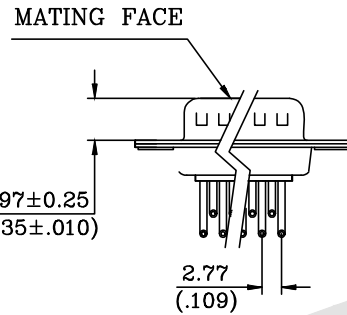
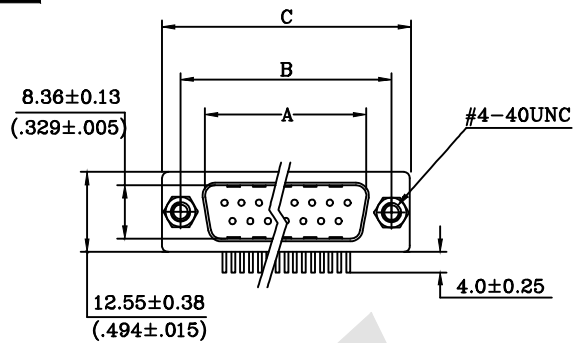


HSF



P.C.B LAYOUT

MATERIALS AND FINISH  
 SHELL:STEEL MATERIAL,FRONT SHELL NICKEL FINISHED  
 BACK SHELL NICKEL FINISHED  
 INSULATOR:PBT THERMOPLASTIC, 30% GLASS  
 FILLED, UL 94V-0 RATED, WHITE COLOR

CONTACT MATERIAL:BRASS  
 CONTACT FINISH:FULL 2u" GOLD  
 ELECTRICAL CHARACTERISTICS  
 CONTACT CURRENT RATING : 5.0 AMPS  
 CONTACT RESISTANCE : 30 MILLIOHMS MAX.  
 DIELECTRIC WITHSTANDING VOLTAGE : 1000 V AC MIN  
 INSULATION RESISTANCE : 5000 MEGAOHMS MIN  
 TEMPERATURE RATING : -55°C ~+105°C

Ordering Code:

MDR02 - M - X - X - X - X  
 ① ② ③ ④ ⑤ ⑥

- ① MDR Series
- ② Contact Type:  
M:Male
- ③ Contact NO. :  
09=09pin 15=15pin  
25=25pin 37=37pin  
50=50Pin
- ④ Mounting Option:  
A: No accessories  
B:BRACKET WITH #4-40  
INSERT,  
BOARD LOCK AND LOCATOR  
PLATE

- ⑤ Insulation Color Code:  
B:Black G:Grey  
W:White L:Blue
- ⑥ Contact Plating  
S: Selective Gold  
S1:Selective 3u" Gold  
S2:Selective 5u" Gold  
S3:Selective 10u" Gold  
S4:Selective 15u" Gold  
S5:Selective30u" Gold  
G0: Gold flash  
G1: 3u" Gold over  
G2: 5u" Gold over  
G3: 10u" Gold over  
G4: 15u" Gold over  
G5: 30u" Gold over

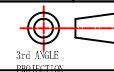
No. of Contact	A ±0.25 ±.010	B ±0.13 ±.005	C ±0.38 ±.015	D
09	16.92 .643	24.99 .984	30.81 1.213	11.08 .436
15	25.25 .971	33.32 1.312	39.14 1.541	19.39 .763
25	38.96 1.511	47.04 1.852	53.04 2.088	33.24 1.310
37	55.42 2.159	63.50 2.500	69.32 2.729	49.86 1.963

Unless otherwise specified tolerance  
 X. ±0.35 X.XX: ±0.20  
 X.X: ±0.25 X.XXX: ±0.15

SCALE: As Shown UNIT: mm

DRAW Lv Yun Hua DATE 04/03/2019

CHECK BobYang DATE 04/03/2019



**Antenk** ANTENK ELECTRONICS CO., LTD  
 Http://www.antenk.com  
 E-mail:sales@antenk.com

TITLE:  
 D-SUB R A MALE MACHINE PIN 9.4mm FOOTPRINT

DRAWING NO: MDR02-MXXXX

PRODUCT NO: MDR02-MXXXX

D

D

REV	DESCRIPTION	DATE