



### SPECIFICATION

Current Rating: 3.0Amp  
 Insulation Resistance: 1000M Ω min  
 Contact Resistance: 20M Ω max  
 Withstand Voltage: 500V AC/DC  
 Operating Temperature: -40°C to +105°C  
 Contact Material: Brass  
 Contact Plating: Au or Sn Over Ni  
 Insulator Material: PBT/PA6T+30%GF UL 94V-0

#### Ordering Code:

BHDS06 - X - X - X - X - X  
 ① ② ③ ④ ⑤ ⑥

① Series No:

② No. of Contacts

06 08 10 12 14 16 18  
 20 22 24 26 28 30 32  
 34 36 40 44 48 50 60  
 64

③ Contact Plating:

G0:Gold flash S0:Selective  
 G1:3U" Gold S1:Selective 3u"  
 G2:5u" Gold S2:Selective 5u"  
 G3:10u" Gold S3:Selective 10u"  
 G4:15u" Gold S4:Selective 15u"  
 G5:30u" Gold S5:Selective 30u"  
 SN: Tin

④ Color Insulator

B:Black  
 U:Blue  
 G:Gray

⑤ Insulator Material

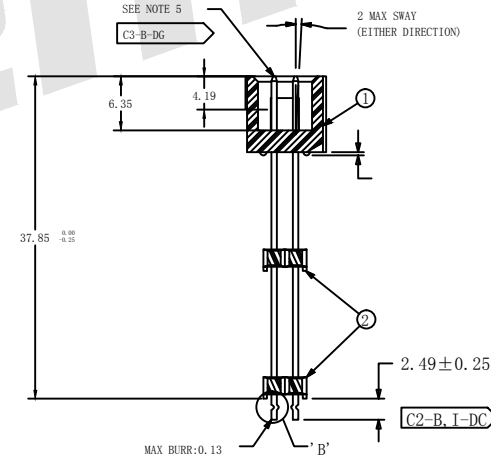
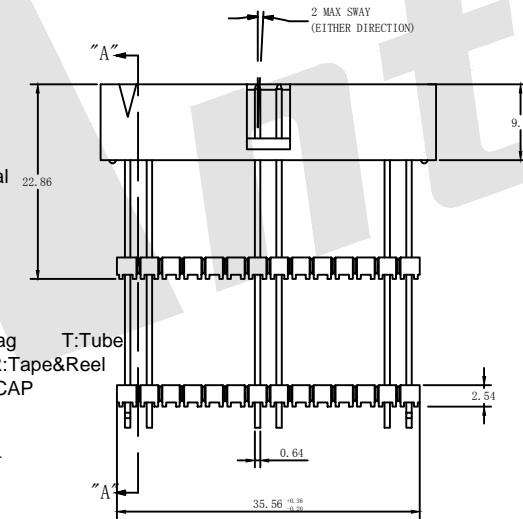
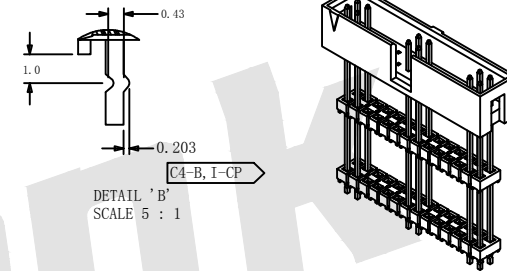
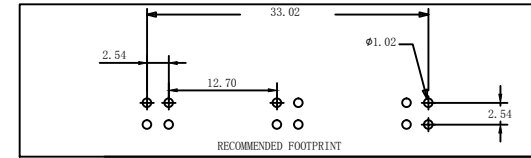
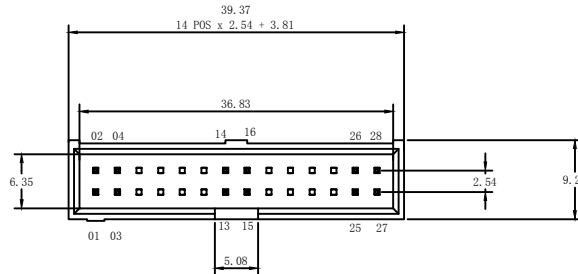
A:PBT  
 B:PA6T  
 C:LCP  
 D:PA46  
 E:PA9T

⑥ Packing

A:Tray B:Bag T:Tube  
 U:Tube+CAP R:Tape&Reel  
 W:Tape&Reel+CAP

#### NOTES:

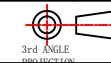
- PIN, STACKER HEIGHT, ADD ITEM 2 IN THE MIDDLE, SHEARED TAILS & FILL ONLY POSITIONS 01, 02, 03, 04, 13, 14, 15, 16, 25, 26, 27 & 28, NOT AVAILABLE AS STANDARD. LOCKING LEADS TO BE ON POSITIONS 1, 2, 27, & 28.
- CX.XX REPRESENTS A CRITICAL DIMENSION.
- MAXIMUM CUT FLASH: .010[0.25]
- MINIMUM PUSHOUT FORCE: 3 LB
- TERMINALS TO BE FLUSH TO .010 [0.25]



SECTION "A"-A"

Unless Otherwise specified tolerance  
 X. ±0.35 X.XX: ±0.20  
 X.X: ±0.25 X.XXX: ±0.15

SCALE: As Shown UNIT: mm  
 DRAW YG ZHONG DATE 01/05/2016  
 CHECK BobYang DATE 01/05/2016



**Antenk** ANTENK ELECTRONICS CO., LTD  
 Http://www.antenk.com  
 E-mail:sales@antenk.com

TITLE:  
 2.54mm Box Header 180° H=9.0 Add Housing

DRAWING NO: BHDS06-XXXXX

PRODUCT NO: BHDS06-XXXXX

REV	DESCRIPTION	DATE
1		
2		
3		
4		
5		