

P. C. B RECOMMENDED HOLE LAYOUT SEEN FROM COMPONENT SIDE.  
ALL CENTERLINE DIMENSIONS ARE BASIC

LED Specification				
standard LED	Wavelength	Forward (Min/Max)	Forward A	Type
Green	568nm	1.8V/2.8V	20mA	Squareness
yellow	585nm	1.8V/2.8V	20mA	Squareness
Orange	600nm	1.8V/2.8V	20mA	Squareness

1. Connector Material:

Housing: Thermoplastic UL94 V-0

Contact/Shield: Cooper alloy

Shield Plating: Nickel

Contact Plating: Selective gold 6u" Min

2. Tolerances comply with F.C.C dimension requirements

3. Durability: 800 mating Min

Order code:

ATRT - 4 - A - X - X - 003  
(1) (2) (3) (4) (5)

(1) Type of product code

4	Tab UP 32.6mm
---	---------------

(2) Number of contact ports

A	RJ45 1*1
---	----------

(3) Product dimension definition

A	With LED W/O EMI
G	Without LED without EMI
I	Without LED unshield
J	With LED unshield

(4) Plating product definition

G0	Gold flash
G1	3U" Gold
G2	6U" Gold
G3	10U" Gold
G4	15U" Gold
G5	30U" Gold
SN	Tin

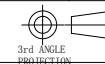
(5) Series number: 003

Unless Otherwise specified tolerance  
X. ±0.35 X.XX: ±0.20  
X.X: ±0.25 X.XXX: ±0.15

SCALE: As Shown UNIT: mm

DRAW Wu Sai DATE 22/03/2018

CHECK BobYang DATE 22/03/2018



ANTENK ELECTRONICS CO., LTD  
Http://www.antenk.com  
E-mail:sales@antenk.com

TITLE:  
1000 base 1x1Port Side entry, POE type

DRAWING NO: ATRT-4-A-XX-003

PRODUCT NO: ATRT-4-A-XX-003

REV	DESCRIPTION	DATE



Meets or exceeds IEEE802.3 Standards including 350uH Min OCL with 8mADC  
High performance for EMI suppression, Crosstalk, Return Loss and

Consistent Electrical

Minimum 1500Vrms isolation per IEEE802.3 requirement

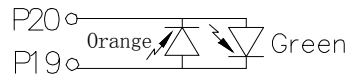
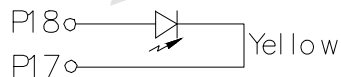
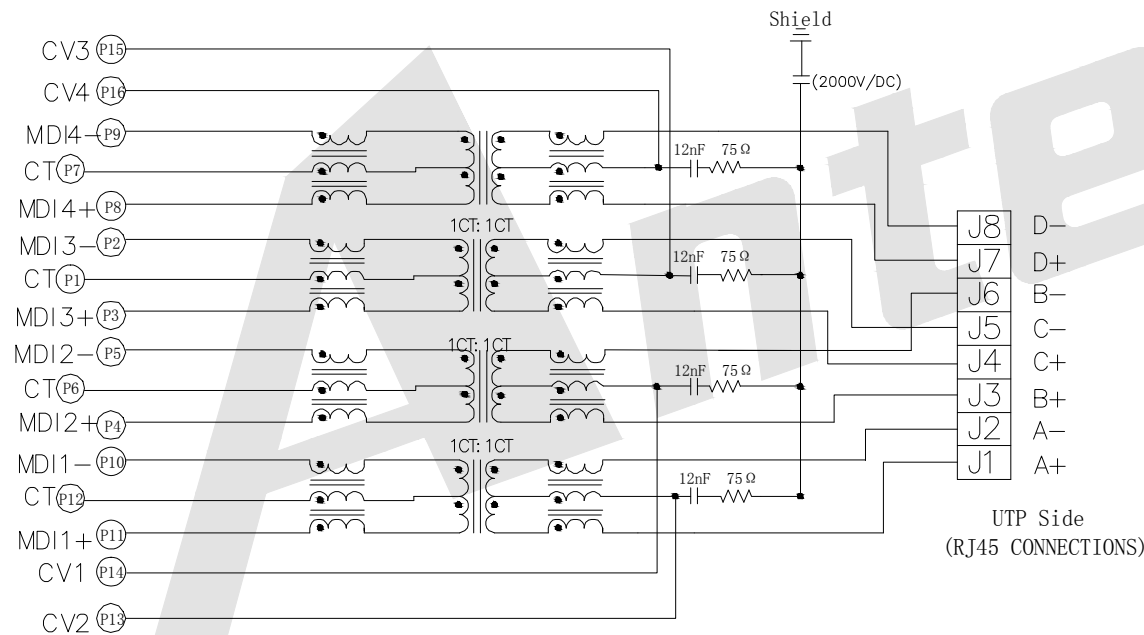
Minimize PCB space and Simplify PCB Layout

Less magnetic components to be placed on PCB, higher reliability and yields

Electrical Specifications @25°C/65%RH

1. Isolation Voltage: 1500V/AC (Chip Side to UTP Side)
2. OCL: 350uH Minimum @100KHz 100mV with 8mA DC
3. Insertion Loss: -1.1dB Maximum @100KHz-100MHz
4. Return Loss: -18dB Minimum @1MHz-30MHz  
-14dB Minimum @30MHz-60MHz  
-12dB Minimum @60MHz-80MHz  
-10dB Minimum @80MHz-100MHz
5. Common Mode Rejection: -40dB Minimum @1MHz-30MHz  
-35dB Minimum @30MHz-60MHz  
-30dB Minimum @60MHz-100MHz
6. Cross Talk: -40dB Minimum @1MHz-30MHz  
-35dB Minimum @30MHz-60MHz  
-35dB Minimum @30MHz-60MHz

Series number:003



Unless Otherwise specified tolerance	
X. ±0.35	X.XX: ±0.20
X.X: ±0.25	X.XXX: ±0.15

SCALE: As Shown	UNIT: mm
DRAW Wu Sai	DATE 22/03/2018
CHECK BobYang	DATE 22/03/2018



ANTENK ELECTRONICS CO., LTD  
Http://www.antenk.com  
E-mail:sales@antenk.com

TITLE:  
1000 base 1x1Port Side entry, POE type

DRAWING NO: ATRT-4-A-XX-003

PRODUCT NO: ATRT-4-A-XX-003



REV	DESCRIPTION	DATE
1		
2		
3		
4		
5		