

SPECIFICATIONS:

- Voltage rating: 250V AC/DC
- Current rating: 3A AC/DC
- Withstanding Voltage: 1500V AC/minute
- Insulation resistance: 1000MΩ Min.
- Temperature range: -25°C To +85°C
- Contact resistance: 20mΩ Max.

Standards

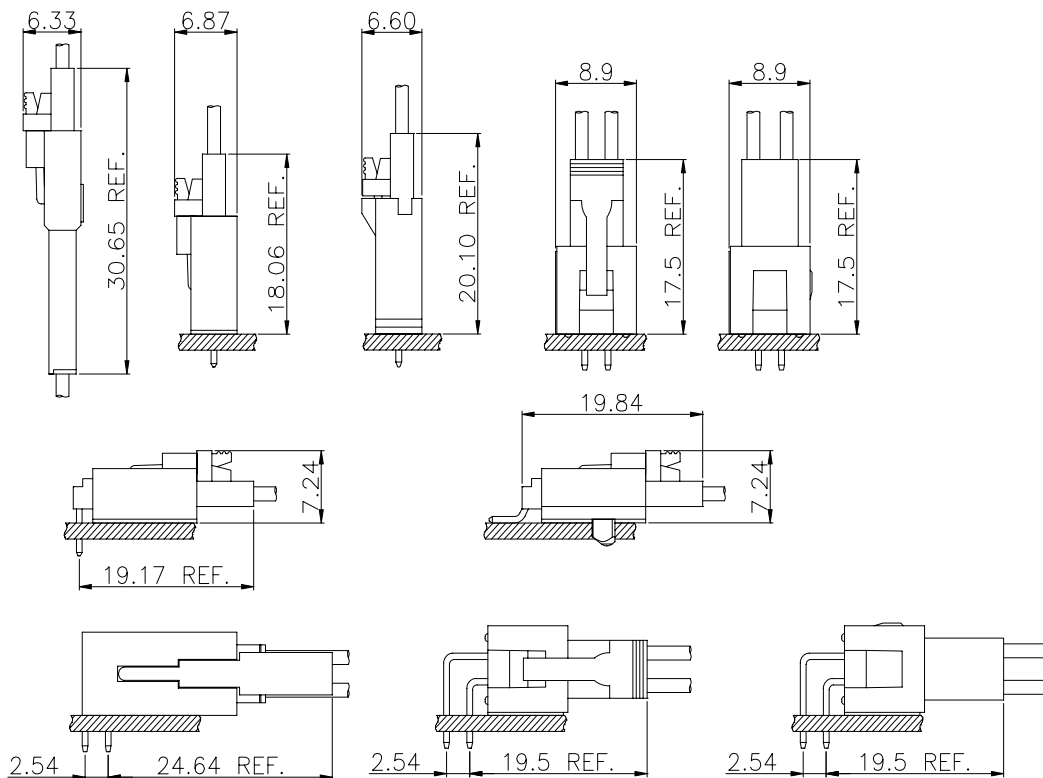
HSF



RoHS

Wire to Board

Assembly Layout

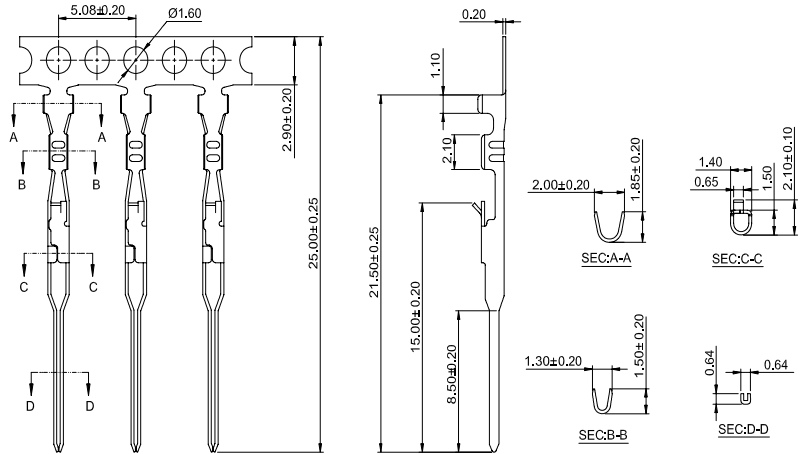


Connectors Expert Around You

2.54mm Pitch crimp terminal connector

TERMINAL

- Part NO.:AT2547MT-xP-L
- Applicable wire:AWG#24-#30
- Material:Phosphor Bronze
- Finish:Tin Plated or Gold
- Used in AH2547M,AH2547-2, AH2547E Single Row,AH2547F series Housing



Ordering information & Specifications

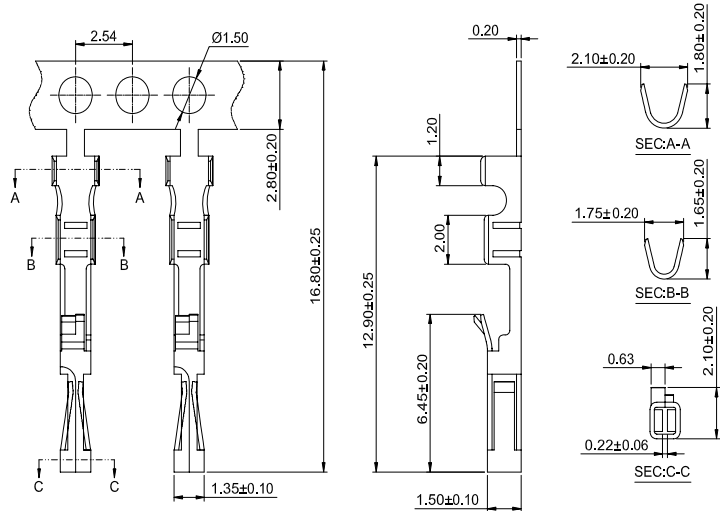
Part NO.	Wire Range	Insulation O.D.	Material	Finish	Qty/reel
AT2547MT-TP-L	AWG#24-#30	1.60mm(max)	Phosphor Bronze	Tin over Nickel	15,000 PCS
AT2547MT-GP-L	AWG#24-#30	1.60mm(max)	Phosphor Bronze	Gold over Nickel	15,000 PCS

Wire to Board

2.54mm Pitch crimp terminal connector

TERMINAL

- Part NO.:AT2547T-xP
- Applicable wire:AWG#22-#24
- Material:Phosphor Bronze
- Finish:Tin Plated or Gold
- Used in AH2547 series Housing



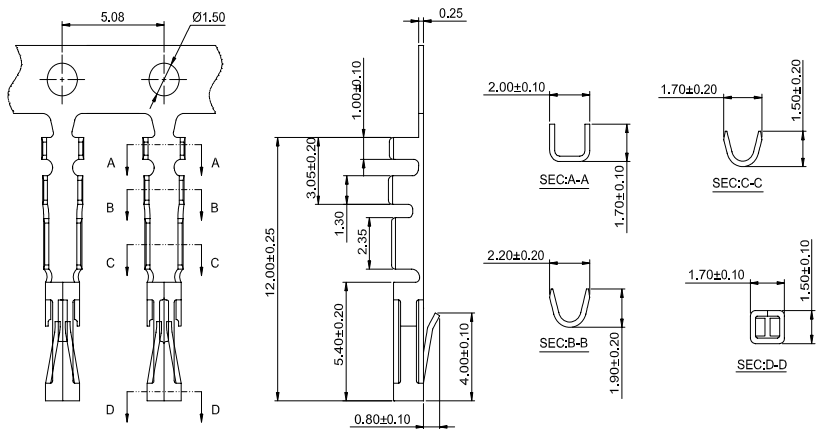
Ordering information & Specifications

Part NO.	Wire Range	Insulation O.D.	Material	Finish	Qty/reel
AT2547T-TP	AWG#22-#24	1.60mm(max)	Phosphor Bronze	Tin over Nickel	15,000 PCS
AT2547T-GP	AWG#22-#24	1.60mm(max)	Phosphor Bronze	Gold over Nickel	15,000 PCS

2.54mm Pitch crimp terminal connector

TERMINAL

- Part NO.:AT2547T-xP-B
- Applicable wire:AWG#22-#26
- Material:Phosphor Bronze
- Finish:Tin Plated or Gold
- Used in AH2547A AH2547B series Housing



Ordering information & Specifications

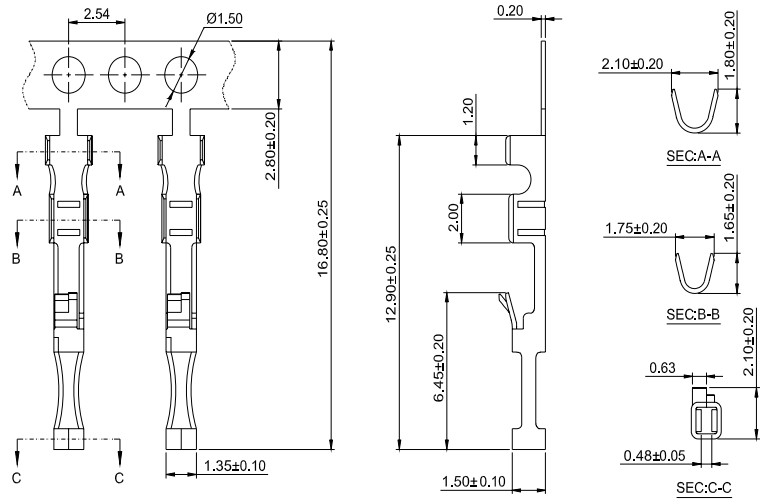
Part NO.	Wire Range	Insulation O.D.	Material	Finish	Qty/reel
AT2547T-TP-B	AWG#22-#26	1.55mm(max)	Phosphor Bronze	Tin over Nickel	20,000 PCS
AT2547T-GP-B	AWG#22-#26	1.55mm(max)	Phosphor Bronze	Gold over Nickel	20,000 PCS

Connectors Expert Around You

2.54mm Pitch crimp terminal connector

TERMINAL

- Part NO.:AT2547T-xP-C
- Applicable wire:AWG#22-#24
- Material:Phosphor Bronze
- Finish:Tin Plated or Gold
- Used in AH2547 series Housing



Ordering information & Specifications

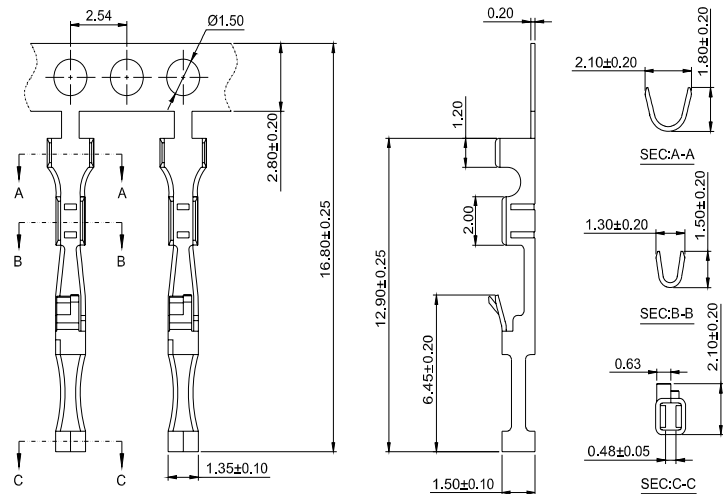
Part NO.	Wire Range	Insulation O.D.	Material	Finish	Qty/reel
AT2547T-TP-C	AWG#22-#24	1.60mm(max)	Phosphor Bronze	Tin over Nickel	15,000 PCS
AT2547T-GP-C	AWG#22-#24	1.60mm(max)	Phosphor Bronze	Gold over Nickel	15,000 PCS

Wire to Board

2.54mm Pitch crimp terminal connector

TERMINAL

- Part NO.:AT2547T-xP-C-L
- Applicable wire:AWG#24-#30
- Material:Phosphor Bronze
- Finish:Tin Plated or Gold
- Used in AH2547 series Housing



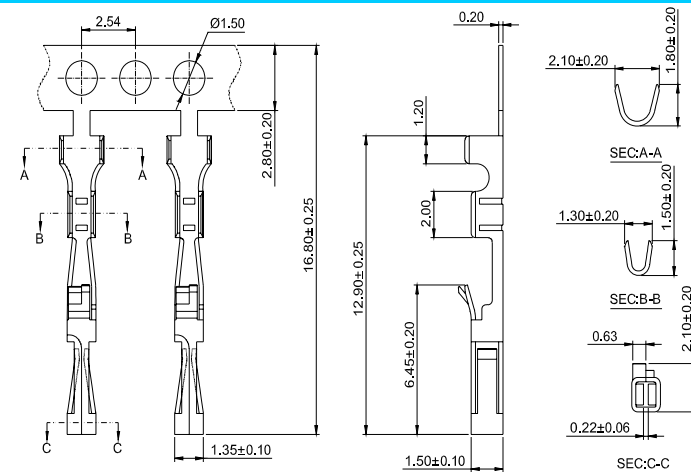
Ordering information & Specifications

Part NO.	Wire Range	Insulation O.D.	Material	Finish	Qty/reel
AT2547T-TP-C-L	AWG#24-#30	1.60mm(max)	Phosphor Bronze	Tin over Nickel	15,000 PCS
AT2547T-GP-C-L	AWG#24-#30	1.60mm(max)	Phosphor Bronze	Gold over Nickel	15,000 PCS

2.54mm Pitch crimp terminal connector

TERMINAL

- Part NO.:AT2547T-xP-L
- Applicable wire:AWG#24-#30
- Material:Phosphor Bronze
- Finish:Tin Plated or Gold
- Used in AH2547 series Housing



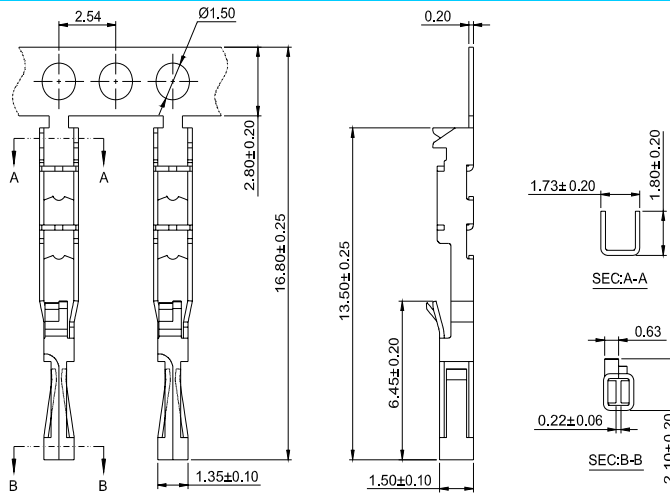
Ordering information & Specifications

Part NO.	Wire Range	Insulation O.D.	Material	Finish	Qty/reel
AT2547T-TP-L	AWG#24-#30	1.60mm(max)	Phosphor Bronze	Tin over Nickel	15,000 PCS
AT2547T-GP-L	AWG#24-#30	1.60mm(max)	Phosphor Bronze	Gold over Nickel	15,000 PCS

2.54mm Pitch insulation displacement terminal connector

TERMINAL

- Part NO.:AT2547T-xP-D
- Applicable wire:AWG#22-#28
- Material:Phosphor Bronze
- Finish:Tin Plated or Gold
- Used in AH2547 series Housing



Ordering information & Specifications

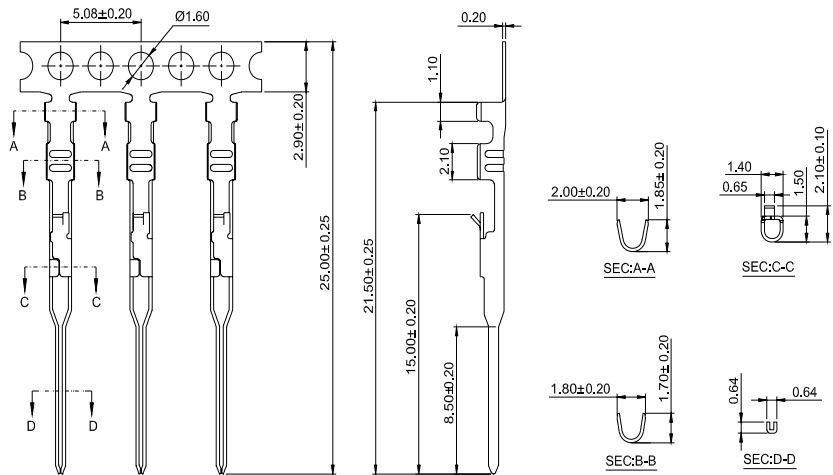
Part NO.	Wire Range	Insulation O.D.	Material	Finish	Qty/reel
AT2547T-TP-D	AWG#22-#28	1.60mm(max)	Phosphor Bronze	Tin over Nickel	15,000 PCS
AT2547T-GP-D	AWG#22-#28	1.60mm(max)	Phosphor Bronze	Gold over Nickel	15,000 PCS

Wire to Board

2.54mm Pitch crimp terminal connector

TERMINAL

- Part NO.:AT2547MT-xP
- Applicable wire:AWG#22-#24
- Material:Phosphor Bronze
- Finish:Tin Plated or Gold
- Used in AH2547M,AH2547-2,AH2547E Single Row,AH2547F series Housing



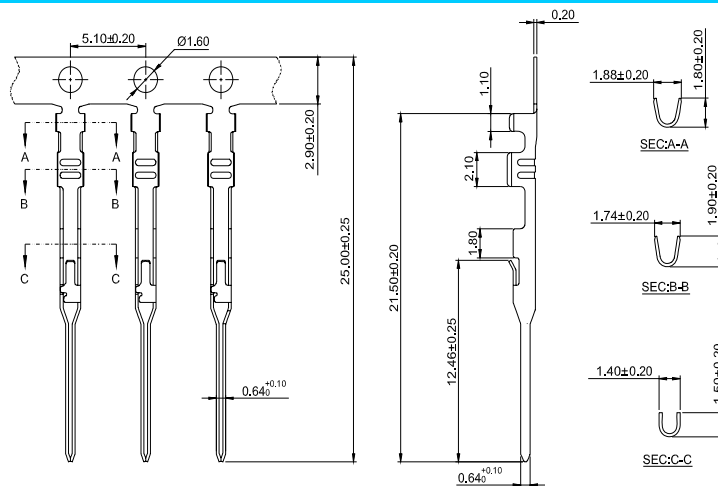
Ordering information & Specifications

Part NO.	Wire Range	Insulation O.D.	Material	Finish	Qty/reel
AT2547MT-TP	AWG#22-#24	1.60mm(max)	Phosphor Bronze	Tin over Nickel	15,000 PCS
AT2547MT-GP	AWG#22-#24	1.60mm(max)	Phosphor Bronze	Gold over Nickel	15,000 PCS

2.54mm Pitch crimp terminal connector

TERMINAL

- Part NO.:AT2547MT-xP-B
- Applicable wire:AWG#22-#26
- Material:Phosphor Bronze
- Finish:Tin Plated or Gold
- Used in AH2547MB series Housing



Ordering information & Specifications

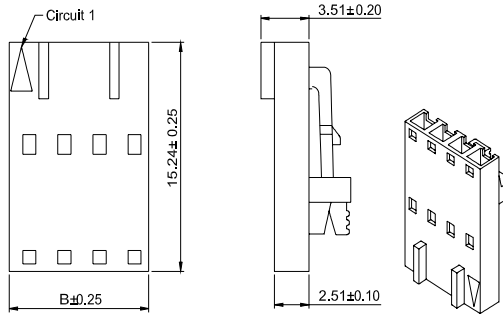
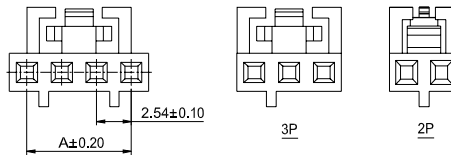
Part NO.	Wire Range	Insulation O.D.	Material	Finish	Qty/reel
AT2547MT-TP-B	AWG#22-#26	1.63mm(max)	Phosphor Bronze	Tin over Nickel	15,000 PCS
AT2547MT-GP-B	AWG#22-#26	1.63mm(max)	Phosphor Bronze	Gold over Nickel	15,000 PCS

Connectors Expert Around You

2.54mm Pitch housing connector

HOUSING

- Part NO.:AH2547-xP
- Suitable:AT2547T AT2547T-xP-C AT2547T-xP-D series Terminal
- Mates with:AH2547M series single row Housing or AW2547 series single row Wafer
- Material:PBT30%GF,UL94V-0
- Color:Black



Ordering Information & Dimensions:

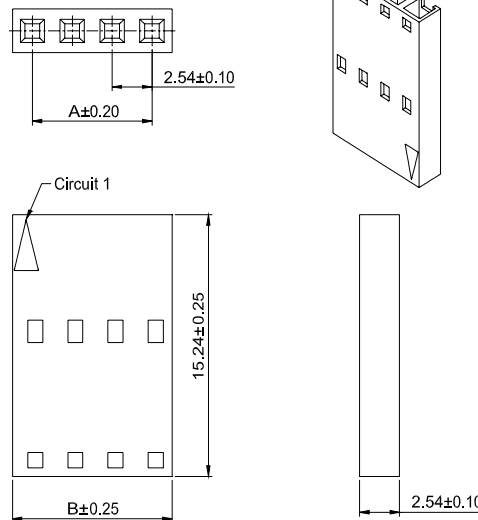
Poles	Part No.	Dimensions (mm)	
		A	B
02	AH2547-02P	2.54	5.08
03	AH2547-03P	5.08	7.62
04	AH2547-04P	7.62	10.16
05	AH2547-05P	10.16	12.70
06	AH2547-06P	12.70	15.24
07	AH2547-07P	15.24	17.78
08	AH2547-08P	17.78	20.32
09	AH2547-09P	20.32	22.86
10	AH2547-10P	22.86	25.40
11	AH2547-11P	25.40	27.94
12	AH2547-12P	27.94	30.48
13	AH2547-13P	30.48	33.02
14	AH2547-14P	33.02	35.56
15	AH2547-15P	35.56	38.10
16	AH2547-16P	38.10	40.64
17	AH2547-17P	40.64	43.18
18	AH2547-18P	43.18	45.72
19	AH2547-19P	45.72	48.26
20	AH2547-20P	48.26	50.80
21	AH2547-21P	50.80	53.34
22	AH2547-22P	53.34	55.88
23	AH2547-23P	55.88	58.42
24	AH2547-24P	58.42	60.96
25	AH2547-25P	60.96	63.50

Wire to Board

2.54mm Pitch housing connector

HOUSING

- Part NO.:AH2547-xP-2
- Suitable:AT2547T AT2547MT AT2547T-xP-C AT2547T-xP-D series Terminal
- Mates with:AH2547 series single row Housing or AW2547 AW2541 series single row Wafer
- Material:PBT30%GF,UL94V-0
- Color:Black



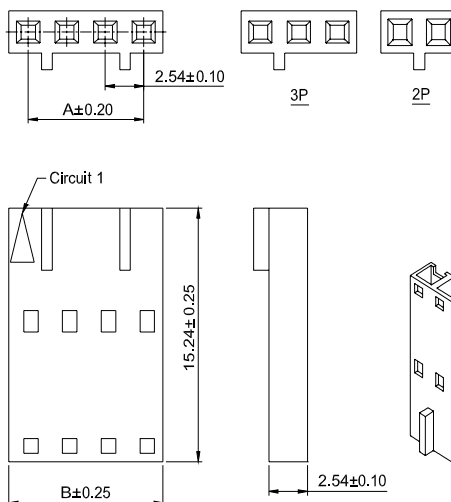
Ordering Information & Dimensions:

Poles	Part No.	Dimensions (mm)	
		A	B
02	AH2547-02P-2	2.54	5.08
03	AH2547-03P-2	5.08	7.62
04	AH2547-04P-2	7.62	10.16
05	AH2547-05P-2	10.16	12.70
06	AH2547-06P-2	12.70	15.24
07	AH2547-07P-2	15.24	17.78
08	AH2547-08P-2	17.78	20.32
09	AH2547-09P-2	20.32	22.86
10	AH2547-10P-2	22.86	25.40
11	AH2547-11P-2	25.40	27.94
12	AH2547-12P-2	27.94	30.48
13	AH2547-13P-2	30.48	33.02
14	AH2547-14P-2	33.02	35.56
15	AH2547-15P-2	35.56	38.10
16	AH2547-16P-2	38.10	40.64
17	AH2547-17P-2	40.64	43.18
18	AH2547-18P-2	43.18	45.72
19	AH2547-19P-2	45.72	48.26
20	AH2547-20P-2	48.26	50.80
21	AH2547-21P-2	50.80	53.34
22	AH2547-22P-2	53.34	55.88
23	AH2547-23P-2	55.88	58.42
24	AH2547-24P-2	58.42	60.96
25	AH2547-25P-2	60.96	63.50

2.54mm Pitch housing connector

HOUSING

- Part NO.:AH2547-xP-3
- Suitable:AT2547T AT2547MT series Terminal
- Mates with:AH2547 series single row Housing or AW2547 AW2541 series single row Wafer
- Material:PBT30%GF,UL94V-0
- Color:Black



Ordering Information & Dimensions:

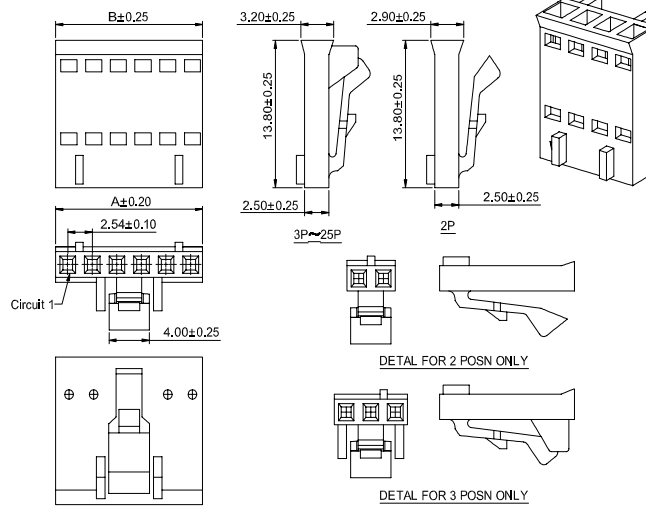
Poles	Part No.	Dimensions (mm)	
		A	B
02	AH2547-02P-3	2.54	5.08
03	AH2547-03P-3	5.08	7.62
04	AH2547-04P-3	7.62	10.16
05	AH2547-05P-3	10.16	12.70
06	AH2547-06P-3	12.70	15.24
07	AH2547-07P-3	15.24	17.78
08	AH2547-08P-3	17.78	20.32
09	AH2547-09P-3	20.32	22.86
10	AH2547-10P-3	22.86	25.40
11	AH2547-11P-3	25.40	27.94
12	AH2547-12P-3	27.94	30.48
13	AH2547-13P-3	30.48	33.02
14	AH2547-14P-3	33.02	35.56
15	AH2547-15P-3	35.56	38.10
16	AH2547-16P-3	38.10	40.64
17	AH2547-17P-3	40.64	43.18
18	AH2547-18P-3	43.18	45.72
19	AH2547-19P-3	45.72	48.26
20	AH2547-20P-3	48.26	50.80
21	AH2547-21P-3	50.80	53.34
22	AH2547-22P-3	53.34	55.88
23	AH2547-23P-3	55.88	58.42
24	AH2547-24P-3	58.42	60.96
25	AH2547-25P-3	60.96	63.50

Connectors Expert Around You

2.54mm Pitch housing connector

HOUSING

- Part NO.:AH2547A-xP
- Suitable:AT2547T-B series Terminal
- Mates with:AW2547 series single row Wafer
- Material:PBT ,UL94V-0
- Color:Black



Ordering Information & Dimensions:

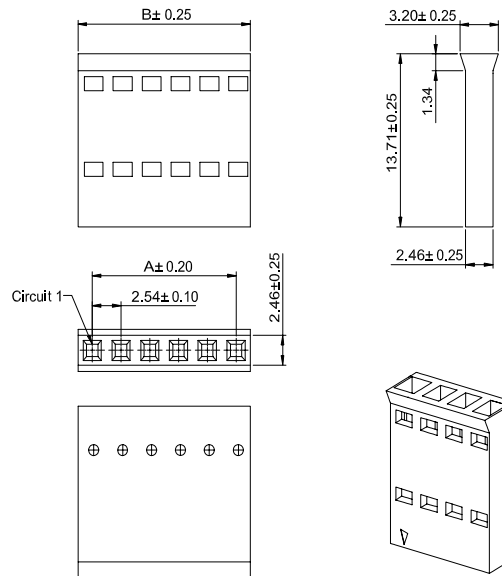
Poles	Part No.	Dimensions (mm)	
		A	B
02	AH2547A-02P	2.54	4.92
03	AH2547A-03P	5.08	7.46
04	AH2547A-04P	7.62	10.00
05	AH2547A-05P	10.16	12.54
06	AH2547A-06P	12.70	15.08
07	AH2547A-07P	15.24	17.62
08	AH2547A-08P	17.78	20.16
09	AH2547A-09P	20.32	22.70
10	AH2547A-10P	22.86	25.24
11	AH2547A-11P	25.40	27.78
12	AH2547A-12P	27.94	30.32
13	AH2547A-13P	30.48	32.86
14	AH2547A-14P	33.02	35.40
15	AH2547A-15P	35.56	37.94
16	AH2547A-16P	38.10	40.48
17	AH2547A-17P	40.64	43.02
18	AH2547A-18P	43.18	45.56
19	AH2547A-19P	45.72	48.10
20	AH2547A-20P	48.26	50.64
21	AH2547A-21P	50.80	53.18
22	AH2547A-22P	53.34	55.72
23	AH2547A-23P	55.88	58.26
24	AH2547A-24P	58.42	60.80
25	AH2547A-25P	60.96	63.34

Wire to Board

2.54mm Pitch housing connector

HOUSING

- Part NO.:AH2547B-xP
- Suitable:AT2547T-B series Terminal
- Mates with:AW2547 AW2541 series single row Wafer
- Material:PBT ,UL94V-0
- Color:Black



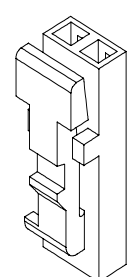
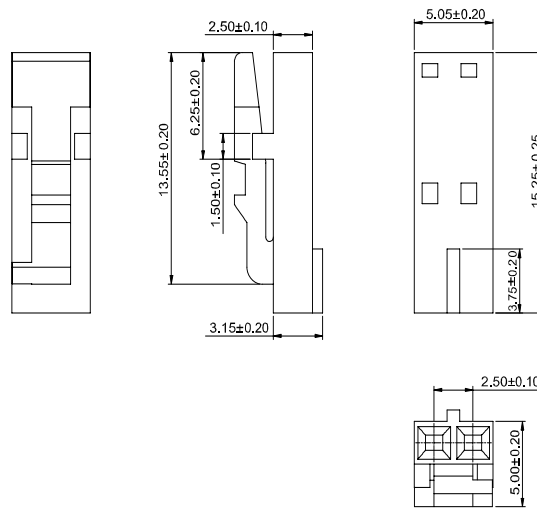
Ordering Information & Dimensions:

Poles	Part No.	Dimensions (mm)	
		A	B
02	AH2547B-02P	2.54	4.92
03	AH2547B-03P	5.08	7.46
04	AH2547B-04P	7.62	10.00
05	AH2547B-05P	10.16	12.54
06	AH2547B-06P	12.70	15.08
07	AH2547B-07P	15.24	17.62
08	AH2547B-08P	17.78	20.16
09	AH2547B-09P	20.32	22.70
10	AH2547B-10P	22.86	25.24
11	AH2547B-11P	25.40	27.78
12	AH2547B-12P	27.94	30.32
13	AH2547B-13P	30.48	32.86
14	AH2547B-14P	33.02	35.40
15	AH2547B-15P	35.56	37.94
16	AH2547B-16P	38.10	40.48
17	AH2547B-17P	40.64	43.02
18	AH2547B-18P	43.18	45.56
19	AH2547B-19P	45.72	48.10
20	AH2547B-20P	48.26	50.64
21	AH2547B-21P	50.80	53.18
22	AH2547B-22P	53.34	55.72
23	AH2547B-23P	55.88	58.26
24	AH2547B-24P	58.42	60.80
25	AH2547B-25P	60.96	63.34

2.54mm Pitch housing connector

HOUSING

- Part NO.:AH2547C-02P
- Suitable:AT2547T series Terminal
- Mates with:AH2547MC-02P Housing
- Material:Nylon66,UL94V-0
- Color:White

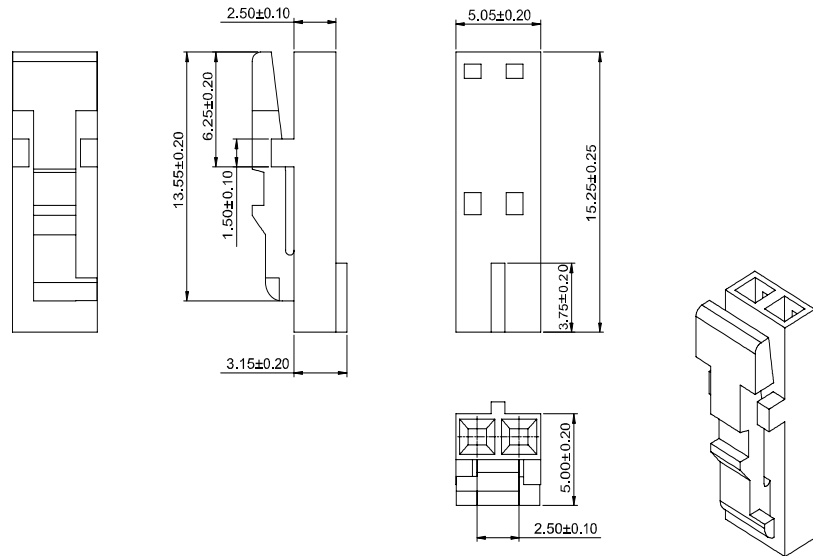


Connectors Expert Around You

2.54mm Pitch housing connector

HOUSING

- Part NO.:AH2547D-02P
- Suitable:AT2547T series Terminal
- Mates with:AH2547MD-02P Housing
- Material:Nylon66,UL94V-0
- Color:Black

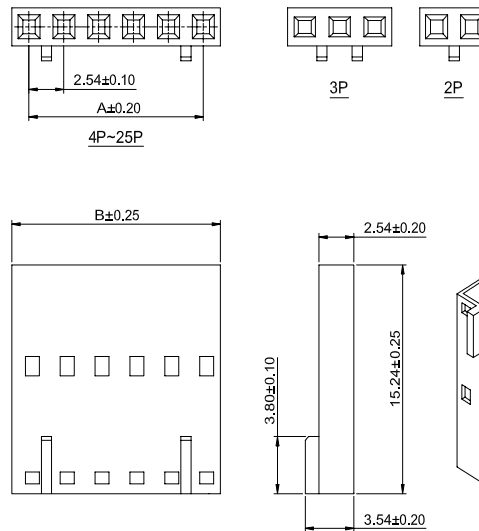


Wire to Board

2.54mm Pitch housing connector

HOUSING

- Part NO.:AH2547E-xP
- Suitable:AT2547T AT2547MT AT2547T-xP-C AT2547T-xP-D series Terminal
- Material:PBT30%GF ,UL94V-0
- Color:Black



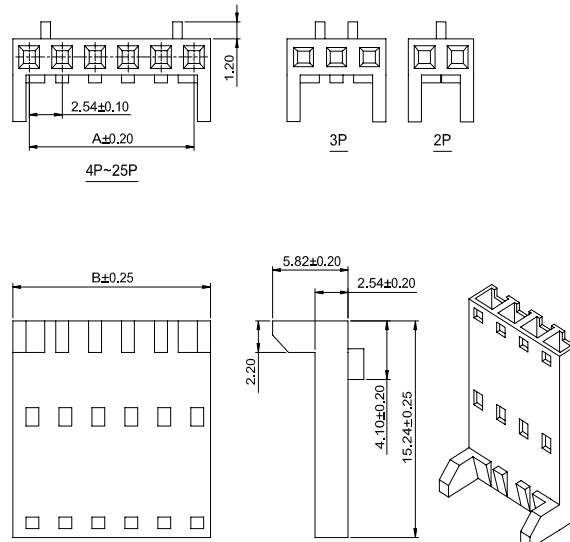
Ordering Information & Dimensions:

Poles	Part No.	Dimensions (mm)	
		A	B
02	AH2547E-02P	2.54	5.08
03	AH2547E-03P	5.08	7.62
04	AH2547E-04P	7.62	10.16
05	AH2547E-05P	10.16	12.70
06	AH2547E-06P	12.70	15.24
07	AH2547E-07P	15.24	17.78
08	AH2547E-08P	17.78	20.32
09	AH2547E-09P	20.32	22.86
10	AH2547E-10P	22.86	25.40
11	AH2547E-11P	25.40	27.94
12	AH2547E-12P	27.94	30.48
13	AH2547E-13P	30.48	33.02
14	AH2547E-14P	33.02	35.56
15	AH2547E-15P	35.56	38.10
16	AH2547E-16P	38.10	40.64
17	AH2547E-17P	40.64	43.18
18	AH2547E-18P	43.18	45.72
19	AH2547E-19P	45.72	48.26
20	AH2547E-20P	48.26	50.80
21	AH2547E-21P	50.80	53.34
22	AH2547E-22P	53.34	55.88
23	AH2547E-23P	55.88	58.42
24	AH2547E-24P	58.42	60.96
25	AH2547E-25P	60.96	63.50

2.54mm Pitch housing connector

HOUSING

- Part NO.:AH2547G-xP
- Suitable:AT2547T AT2547T-xP-C AT2547T-xP-D series Terminal
- Material:PBT30%GF ,UL94V-0
- Color:Black



Ordering Information & Dimensions:

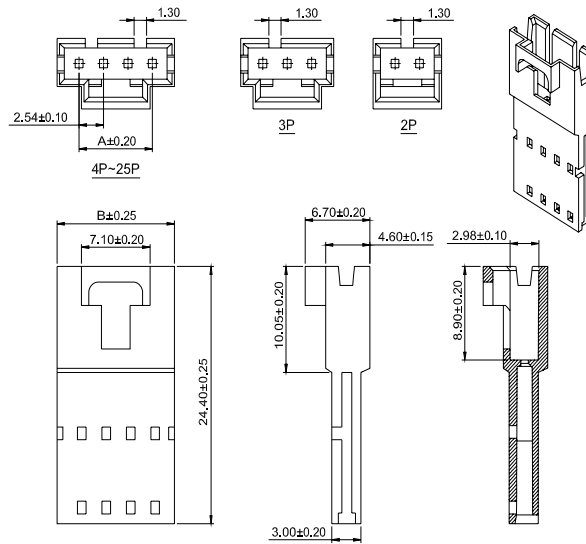
Poles	Part No.	Dimensions (mm)	
		A	B
02	AH2547G-02P	2.54	5.08
03	AH2547G-03P	5.08	7.62
04	AH2547G-04P	7.62	10.16
05	AH2547G-05P	10.16	12.70
06	AH2547G-06P	12.70	15.24
07	AH2547G-07P	15.24	17.78
08	AH2547G-08P	17.78	20.32
09	AH2547G-09P	20.32	22.86
10	AH2547G-10P	22.86	25.40
11	AH2547G-11P	25.40	27.94
12	AH2547G-12P	27.94	30.48
13	AH2547G-13P	30.48	33.02
14	AH2547G-14P	33.02	35.56
15	AH2547G-15P	35.56	38.10
16	AH2547G-16P	38.10	40.64
17	AH2547G-17P	40.64	43.18
18	AH2547G-18P	43.18	45.72
19	AH2547G-19P	45.72	48.26
20	AH2547G-20P	48.26	50.80
21	AH2547G-21P	50.80	53.34
22	AH2547G-22P	53.34	55.88
23	AH2547G-23P	55.88	58.42
24	AH2547G-24P	58.42	60.96
25	AH2547G-25P	60.96	63.50

Connectors Expert Around You

2.54mm Pitch housing connector

HOUSING

- Part NO.:AH2547MA-xP
- Suitable:AT2547MT series Terminal
- Mates with:AH2547 AH2550 series single row Housing
- Material:PBT30%GF,UL94V-0
- Color:Black



Ordering Information & Dimensions:

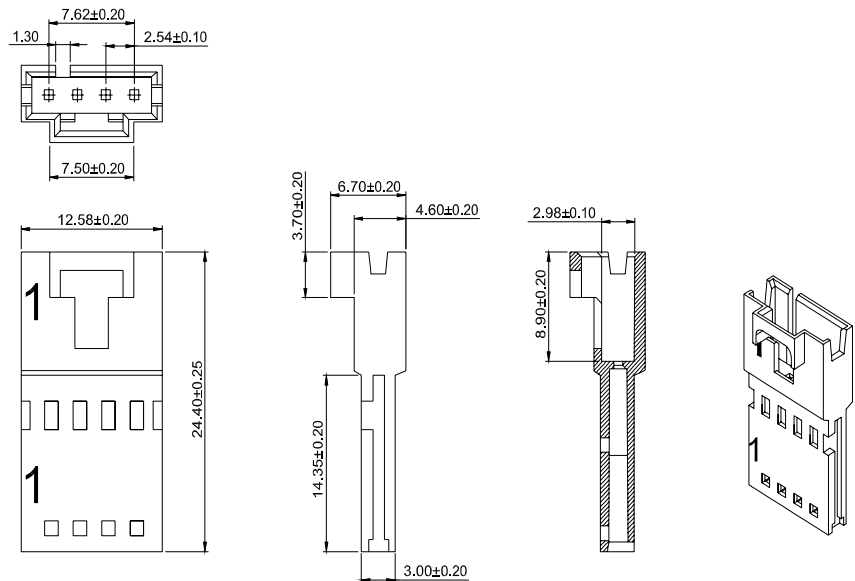
Poles	Part No.	Dimensions (mm)	
		A	B
02	AH2547MA-02P	2.54	7.12
03	AH2547MA-03P	5.08	9.66
04	AH2547MA-04P	7.62	12.20
05	AH2547MA-05P	10.16	14.74
06	AH2547MA-06P	12.70	17.28
07	AH2547MA-07P	15.24	19.82
08	AH2547MA-08P	17.78	22.36
09	AH2547MA-09P	20.32	24.90
10	AH2547MA-10P	22.86	27.44
11	AH2547MA-11P	25.40	29.98
12	AH2547MA-12P	27.94	32.52
13	AH2547MA-13P	30.48	35.06
14	AH2547MA-14P	33.02	37.60
15	AH2547MA-15P	35.56	40.14
16	AH2547MA-16P	38.10	42.68
17	AH2547MA-17P	40.64	45.22
18	AH2547MA-18P	43.18	47.76
19	AH2547MA-19P	45.72	50.30
20	AH2547MA-20P	48.26	52.84
21	AH2547MA-21P	50.80	55.38
22	AH2547MA-22P	53.34	57.92
23	AH2547MA-23P	55.88	60.46
24	AH2547MA-24P	58.42	63.00
25	AH2547MA-25P	60.96	65.54

Wire to Board

2.54mm Pitch housing connector

HOUSING

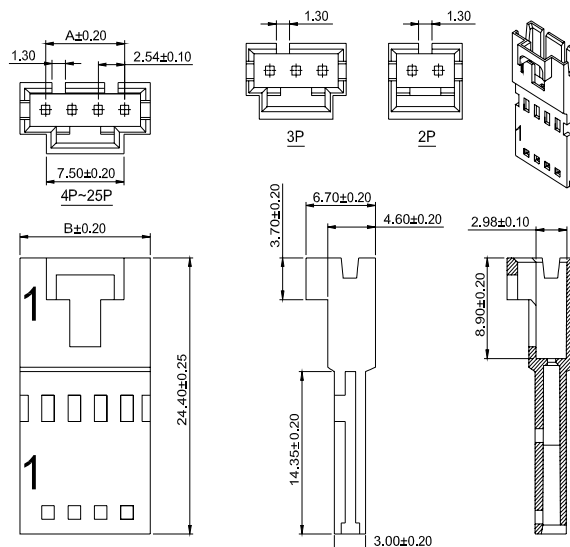
- Part NO.:AH2547MB-04P-A
- Suitable:AT2547MT-B series Terminal
- Mates with:AH2550 series single row Housing
- Material:PBT30%GF,UL94V-0
- Color:Black



2.54mm Pitch housing connector

HOUSING

- Part NO.:AH2547MB-xP
- Suitable:AT2547MT-B series Terminal
- Mates with:AH2547 AH2550 series single row Housing
- Material:PBT30%GF,UL94V-0
- Color:Black



Ordering Information & Dimensions:

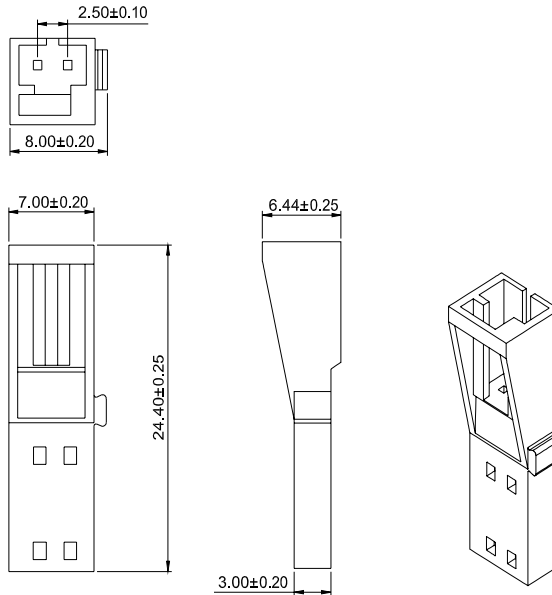
Poles	Part No.	Dimensions (mm)	
		A	B
02	AH2547MB-02P	2.54	7.50
03	AH2547MB-03P	5.08	10.04
04	AH2547MB-04P	7.62	12.58
05	AH2547MB-05P	10.16	15.12
06	AH2547MB-06P	12.70	17.66
07	AH2547MB-07P	15.24	20.16
08	AH2547MB-08P	17.78	22.74
09	AH2547MB-09P	20.32	25.28
10	AH2547MB-10P	22.86	27.82
11	AH2547MB-11P	25.40	30.36
12	AH2547MB-12P	27.94	32.90
13	AH2547MB-13P	30.48	35.44
14	AH2547MB-14P	33.02	37.98
15	AH2547MB-15P	35.56	40.52
16	AH2547MB-16P	38.10	43.06
17	AH2547MB-17P	40.64	45.60
18	AH2547MB-18P	43.18	48.14
19	AH2547MB-19P	45.72	50.68
20	AH2547MB-20P	48.26	53.22
21	AH2547MB-21P	50.80	55.76
22	AH2547MB-22P	53.34	58.30
23	AH2547MB-23P	55.88	60.84
24	AH2547MB-24P	58.42	63.38
25	AH2547MB-25P	60.96	65.92

Connectors Expert Around You

2.54mm Pitch housing connector

HOUSING

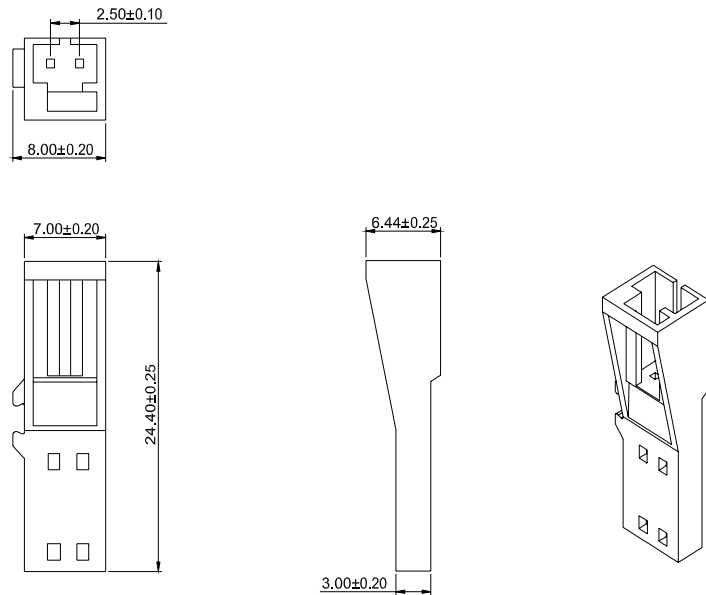
- Part NO.:AH2547MC-02P
- Suitable:AT2547MT series Terminal
- Mates with:AH2547C-02P Housing
- Material:Nylon66,UL94V-0
- Color:White



2.54mm Pitch housing connector

HOUSING

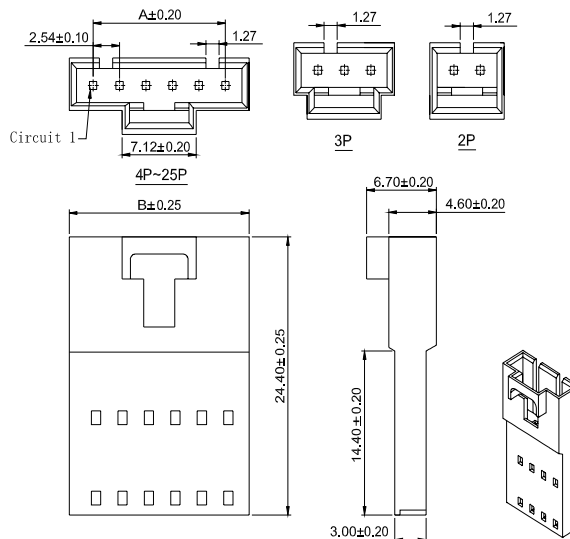
- Part NO.:AH2547MD-02P
- Suitable:AT2547MT series Terminal
- Mates with:AH2547D-02P Housing
- Material:Nylon66,UL94V-0
- Color:White



2.54mm Pitch housing connector

HOUSING

- Part NO.:AH2547M-xP
- Suitable:AT2547MT series Terminal
- Mates with:AH2547 AH2550 series single row Housing
- Material:PBT30%GF ,UL94V-0
- Color:Black



Ordering Information & Dimensions:

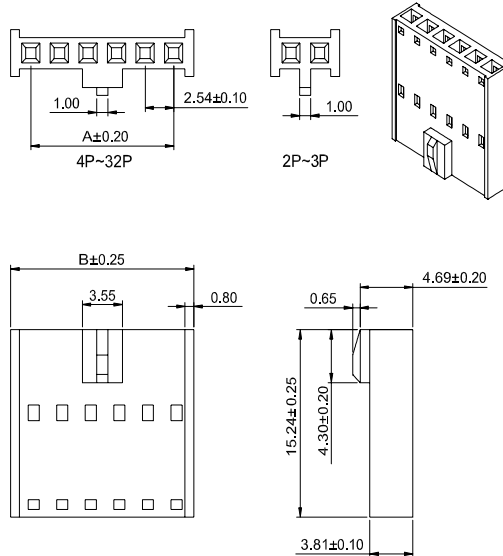
Poles	Part No.	Dimensions (mm)	
		A	B
02	AH2547M-02P	2.54	7.12
03	AH2547M-03P	5.08	9.66
04	AH2547M-04P	7.62	12.20
05	AH2547M-05P	10.16	14.74
06	AH2547M-06P	12.70	17.28
07	AH2547M-07P	15.24	19.82
08	AH2547M-08P	17.78	22.36
09	AH2547M-09P	20.32	24.90
10	AH2547M-10P	22.86	27.44
11	AH2547M-11P	25.40	29.98
12	AH2547M-12P	27.94	32.52
13	AH2547M-13P	30.48	35.06
14	AH2547M-14P	33.02	37.60
15	AH2547M-15P	35.56	40.14
16	AH2547M-16P	38.10	42.68
17	AH2547M-17P	40.64	45.22
18	AH2547M-18P	43.18	47.76
19	AH2547M-19P	45.72	50.30
20	AH2547M-20P	48.26	52.84
21	AH2547M-21P	50.80	55.38
22	AH2547M-22P	53.34	57.92
23	AH2547M-23P	55.88	60.46
24	AH2547M-24P	58.42	63.00
25	AH2547M-25P	60.96	65.54

Connectors Expert Around You

2.54mm Pitch single row housing connector

HOUSING

- Part NO.:AH2547J-xP
- Suitable:AT2547T series Terminal
- Mates with:AW2547VB, AW2547RB series Single row Wafer
- Material:PBT ,UL94V-0
- Color:Black



Ordering Information & Dimensions:

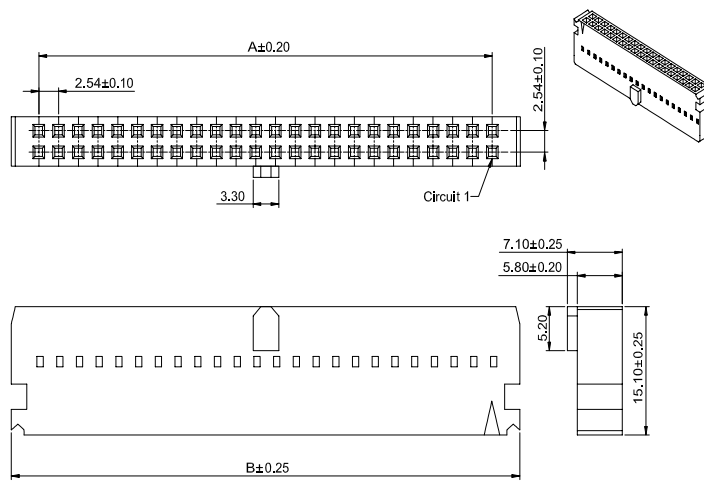
Poles	Part No.	Dimensions(mm)	
		A	B
04	AH2547J-02P	2.54	6.14
06	AH2547J-03P	5.08	8.68
08	AH2547J-04P	7.62	11.22
10	AH2547J-05P	10.16	13.76
12	AH2547J-06P	12.70	16.30
14	AH2547J-07P	15.24	18.84
16	AH2547J-08P	17.78	21.38
18	AH2547J-09P	20.32	23.92
20	AH2547J-10P	22.86	26.46
22	AH2547J-11P	25.40	29.00
24	AH2547J-12P	27.94	31.54
26	AH2547J-13P	30.48	34.08
28	AH2547J-14P	33.02	36.62
30	AH2547J-15P	35.56	39.16
32	AH2547J-16P	38.10	41.70
34	AH2547J-17P	40.64	44.24
36	AH2547J-18P	43.18	46.78
38	AH2547J-19P	45.72	49.32
40	AH2547J-20P	48.26	51.86
42	AH2547J-21P	50.80	54.40
44	AH2547J-22P	53.34	56.94
46	AH2547J-23P	55.88	59.48
48	AH2547J-24P	58.42	62.02
50	AH2547J-25P	60.96	64.56
52	AH2547J-26P	63.50	67.10
54	AH2547J-27P	66.04	69.64
56	AH2547J-28P	68.58	72.18
58	AH2547J-29P	71.12	74.72
60	AH2547J-30P	73.66	77.26
62	AH2547J-31P	76.20	79.80
64	AH2547J-32P	78.74	82.34

Wire to Board

2.54mm Pitch dual row housing connector

HOUSING

- Part NO.:AH2547A-2xNP
- Suitable:AT2547T series Terminal
- Mates with:AW2547V-2 series Wafer or AW2547R-2 series Wafer
- Material:PBT30%GF,UL94V-0
- Color:Black



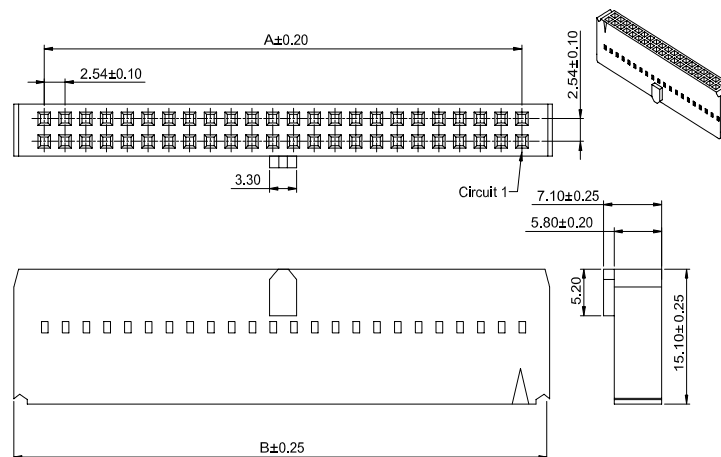
Ordering Information & Dimensions:

Poles	Part No.	Dimensions(mm)	
		A	B
06	AH2547A-2x03P	5.08	12.22
08	AH2547A-2x04P	7.62	14.76
10	AH2547A-2x05P	10.16	17.30
12	AH2547A-2x06P	12.70	19.84
14	AH2547A-2x07P	15.24	22.38
16	AH2547A-2x08P	17.78	24.92
18	AH2547A-2x09P	20.32	27.46
20	AH2547A-2x10P	22.86	30.00
22	AH2547A-2x11P	25.40	32.54
24	AH2547A-2x12P	27.94	35.08
26	AH2547A-2x13P	30.48	37.62
28	AH2547A-2x14P	33.02	40.16
30	AH2547A-2x15P	35.56	42.70
32	AH2547A-2x16P	38.10	45.24
34	AH2547A-2x17P	40.64	47.78
36	AH2547A-2x18P	43.18	50.32
38	AH2547A-2x19P	45.72	52.86
40	AH2547A-2x20P	48.26	55.40
42	AH2547A-2x21P	50.80	57.94
44	AH2547A-2x22P	53.34	60.48
46	AH2547A-2x23P	55.88	63.02
48	AH2547A-2x24P	58.42	65.56
50	AH2547A-2x25P	60.96	68.10
52	AH2547A-2x26P	63.50	70.64
54	AH2547A-2x27P	66.04	73.18
56	AH2547A-2x28P	68.58	75.72
58	AH2547A-2x29P	71.12	78.26
60	AH2547A-2x30P	73.66	80.80
62	AH2547A-2x31P	76.20	83.34
64	AH2547A-2x32P	78.74	85.88

2.54mm Pitch dual row housing connector

HOUSING

- Part NO.:AH2547-2xNP
- Suitable:AT2547T series Terminal
- Mates with:AW2547V-2 series Wafer or AW2547R-2 series Wafer
- Material:PBT30%GF,UL94V-0
- Color:Black



Ordering Information & Dimensions:

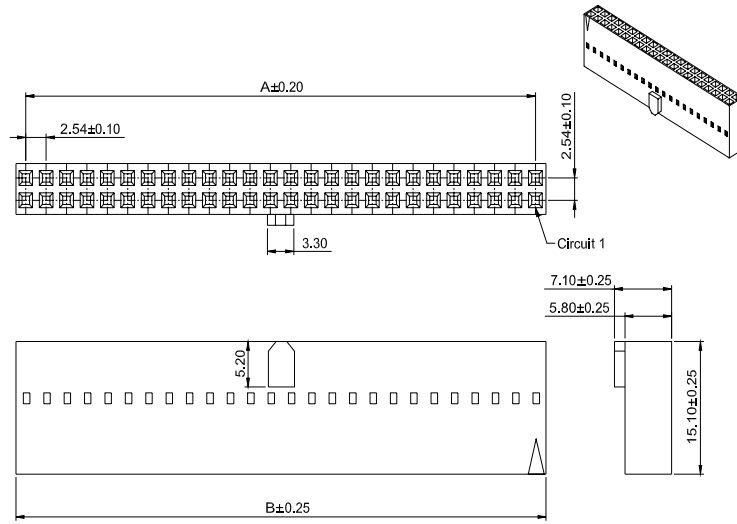
Poles	Part No.	Dimensions(mm)	
		A	B
06	AH2547-2x03P	5.08	12.22
08	AH2547-2x04P	7.62	14.76
10	AH2547-2x05P	10.16	17.30
12	AH2547-2x06P	12.70	19.84
14	AH2547-2x07P	15.24	22.38
16	AH2547-2x08P	17.78	24.92
18	AH2547-2x09P	20.32	27.46
20	AH2547-2x10P	22.86	30.00
22	AH2547-2x11P	25.40	32.54
24	AH2547-2x12P	27.94	35.08
26	AH2547-2x13P	30.48	37.62
28	AH2547-2x14P	33.02	40.16
30	AH2547-2x15P	35.56	42.70
32	AH2547-2x16P	38.10	45.24
34	AH2547-2x17P	40.64	47.78
36	AH2547-2x18P	43.18	50.32
38	AH2547-2x19P	45.72	52.86
40	AH2547-2x20P	48.26	55.40
42	AH2547-2x21P	50.80	57.94
44	AH2547-2x22P	53.34	60.48
46	AH2547-2x23P	55.88	63.02
48	AH2547-2x24P	58.42	65.56
50	AH2547-2x25P	60.96	68.10
52	AH2547-2x26P	63.50	70.64
54	AH2547-2x27P	66.04	73.18
56	AH2547-2x28P	68.58	75.72
58	AH2547-2x29P	71.12	78.26
60	AH2547-2x30P	73.66	80.80
62	AH2547-2x31P	76.20	83.34
64	AH2547-2x32P	78.74	85.88

Connectors Expert Around You

2.54mm Pitch dual row housing connector

HOUSING

- Part NO.:AH2547G-2xNP
- Suitable:AT2547T series Terminal
- Mates with:AW2547V-2 series Wafer or AW2547R-2 series Wafer
- Material:PBT30%GF ,UL94V-0
- Color:Black



Ordering Information & Dimension

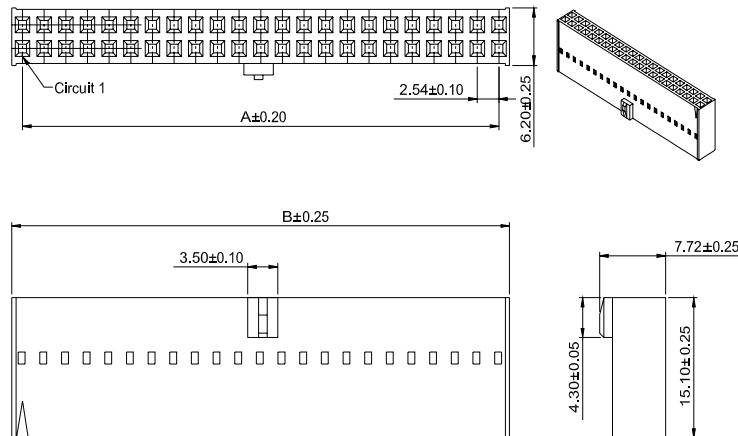
Poles	Part No.	Dimensions (mm)	
		A	B
06	AH2547G-2x03P	5.08	7.39
08	AH2547G-2x04P	7.62	10.13
10	AH2547G-2x05P	10.16	12.67
12	AH2547G-2x06P	12.70	15.21
14	AH2547G-2x07P	15.24	17.75
16	AH2547G-2x08P	17.78	20.29
18	AH2547G-2x09P	20.32	22.83
20	AH2547G-2x10P	22.86	25.37
22	AH2547G-2x11P	25.40	27.91
24	AH2547G-2x12P	27.94	30.45
26	AH2547G-2x13P	30.48	32.99
28	AH2547G-2x14P	33.02	35.53
30	AH2547G-2x15P	35.56	38.07
32	AH2547G-2x16P	38.10	40.61
34	AH2547G-2x17P	40.64	43.15
36	AH2547G-2x18P	43.18	45.69
38	AH2547G-2x19P	45.72	48.23
40	AH2547G-2x20P	48.26	50.77
42	AH2547G-2x21P	50.80	53.31
44	AH2547G-2x22P	53.34	55.85
46	AH2547G-2x23P	55.88	58.39
48	AH2547G-2x24P	58.42	60.93
50	AH2547G-2x25P	60.96	63.47
52	AH2547G-2x26P	63.50	66.01
54	AH2547G-2x27P	66.04	68.55
56	AH2547G-2x28P	68.58	71.09
58	AH2547G-2x29P	71.12	73.63
60	AH2547G-2x30P	73.66	76.17
62	AH2547G-2x31P	76.20	78.71
64	AH2547G-2x32P	78.74	81.25

Wire to Board

2.54mm Pitch dual row housing connector

HOUSING

- Part NO.:AH2547J-2xNP
- Suitable:AT2547T series Terminal
- Mates with:AW2547VB, AW2547RB series Dual row Wafer
- Material:PBT30%GF ,UL94V-0
- Color:Black



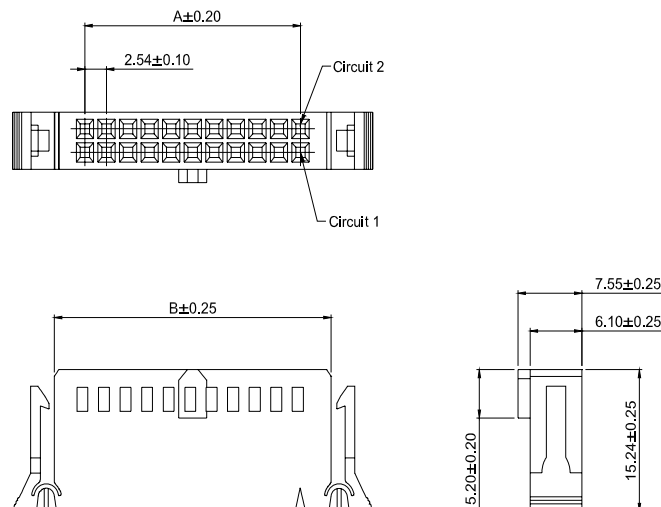
Ordering Information & Dimensions:

Poles	Part No.	Dimensions (mm)	
		A	B
06	AH2547J-2x03P	5.08	7.39
08	AH2547J-2x04P	7.62	10.13
10	AH2547J-2x05P	10.16	12.67
12	AH2547J-2x06P	12.70	15.21
14	AH2547J-2x07P	15.24	17.75
16	AH2547J-2x08P	17.78	20.29
18	AH2547J-2x09P	20.32	22.83
20	AH2547J-2x10P	22.86	25.37
22	AH2547J-2x11P	25.40	27.91
24	AH2547J-2x12P	27.94	30.45
26	AH2547J-2x13P	30.48	32.99
28	AH2547J-2x14P	33.02	35.53
30	AH2547J-2x15P	35.56	38.07
32	AH2547J-2x16P	38.10	40.61
34	AH2547J-2x17P	40.64	43.15
36	AH2547J-2x18P	43.18	45.69
38	AH2547J-2x19P	45.72	48.23
40	AH2547J-2x20P	48.26	50.77
42	AH2547J-2x21P	50.80	53.31
44	AH2547J-2x22P	53.34	55.85
46	AH2547J-2x23P	55.88	58.39
48	AH2547J-2x24P	58.42	60.93
50	AH2547J-2x25P	60.96	63.47
52	AH2547J-2x26P	63.50	66.01
54	AH2547J-2x27P	66.04	68.55
56	AH2547J-2x28P	68.58	71.09
58	AH2547J-2x29P	71.12	73.63
60	AH2547J-2x30P	73.66	76.17
62	AH2547J-2x31P	76.20	78.71
64	AH2547J-2x32P	78.74	81.25

2.54mm Pitch dual row housing connector

HOUSING

- Part NO.:AH2547N-2xNP
- Suitable:AT2549T-C series Terminal
- Mates with:AW2547V-N-2 series Wafer or AW2547R-N-2 series Wafer
- Material:PBT30%GF,UL94V-0
- Color:Black



Ordering Information & Dimensions:

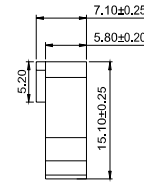
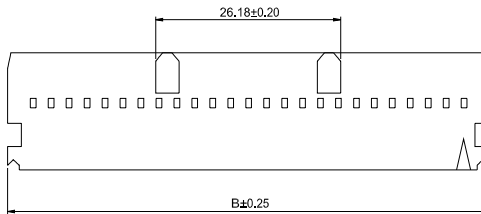
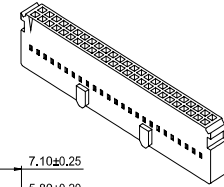
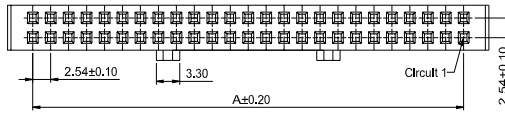
Poles	Part No.	Dimensions (mm)	
		A	B
06	AH2547N-2x03P	5.08	12.22
08	AH2547N-2x04P	7.62	14.76
10	AH2547N-2x05P	10.16	17.30
12	AH2547N-2x06P	12.70	19.84
14	AH2547N-2x07P	15.24	22.38
16	AH2547N-2x08P	17.78	24.92
18	AH2547N-2x09P	20.32	27.46
20	AH2547N-2x10P	22.86	30.00
22	AH2547N-2x11P	25.40	32.54
24	AH2547N-2x12P	27.94	35.08
26	AH2547N-2x13P	30.48	37.62
28	AH2547N-2x14P	33.02	40.16
30	AH2547N-2x15P	35.56	42.70
32	AH2547N-2x16P	38.10	45.24
34	AH2547N-2x17P	40.64	47.78
36	AH2547N-2x18P	43.18	50.32
38	AH2547N-2x19P	45.72	52.86
40	AH2547N-2x20P	48.26	55.40
42	AH2547N-2x21P	50.80	57.94
44	AH2547N-2x22P	53.34	60.48
46	AH2547N-2x23P	55.88	63.02
48	AH2547N-2x24P	58.42	65.56
50	AH2547N-2x25P	60.96	68.10
52	AH2547N-2x26P	63.50	70.64
54	AH2547N-2x27P	66.04	73.18
56	AH2547N-2x28P	68.58	75.72
58	AH2547N-2x29P	71.12	78.26
60	AH2547N-2x30P	73.66	80.80
62	AH2547N-2x31P	76.20	83.34
64	AH2547N-2x32P	78.74	85.88

Connectors Expert Around You

2.54mm Pitch dual row housing connector

HOUSING

- Part NO.:AH2547D-2xNP
- Suitable:AT2547T series Terminal
- Mates with:AW2547VA-2 series Wafer or AW2547RA-2 series Wafer
- Material:PBT30%GF ,UL94V-0
- Color:Black



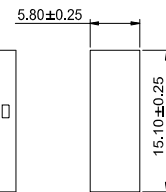
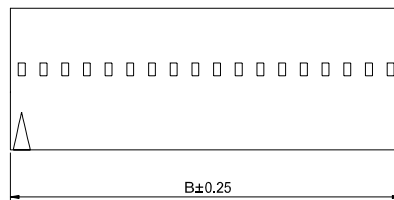
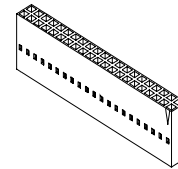
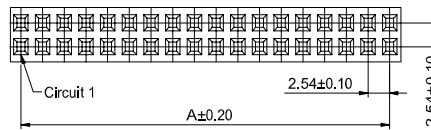
Ordering Information & Dimensions:

Poles	Part No.	Dimensions (mm)	
		A	B
50	AH2547D-2x25P	60.96	68.10
60	AH2547D-2x30P	73.66	80.80
64	AH2547D-2x32P	78.74	85.88

2.54mm Pitch dual row housing connector

HOUSING

- Part NO.:AH2547F-2xNP
- Suitable:AT2547T series Terminal
- Mates with:AW2547V-2 series Wafer or AW2547R-2 series Wafer
- Material:PBT30%GF ,UL94V-0
- Color:Black



Ordering Information & Dimensions:

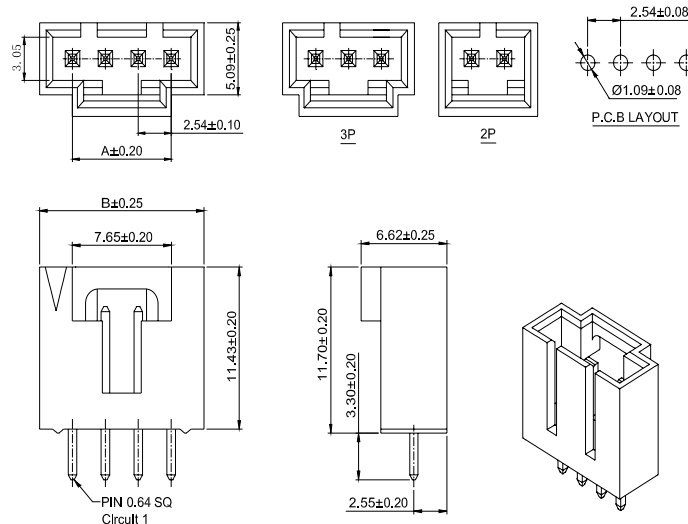
Poles	Part No.	Dimensions (mm)	
		A	B
04	AH2547F-2x04P	2.54	5.05
06	AH2547F-2x06P	5.08	7.59
08	AH2547F-2x08P	7.62	10.13
10	AH2547F-2x10P	10.16	12.67
12	AH2547F-2x12P	12.70	15.21
14	AH2547F-2x14P	15.24	17.75
16	AH2547F-2x16P	17.78	20.29
18	AH2547F-2x18P	20.32	22.83
20	AH2547F-2x20P	22.86	25.37
22	AH2547F-2x22P	25.40	27.91
24	AH2547F-2x24P	27.94	30.45
26	AH2547F-2x26P	30.48	32.99
28	AH2547F-2x28P	33.02	35.53
30	AH2547F-2x30P	35.56	38.07
32	AH2547F-2x32P	38.10	40.61
34	AH2547F-2x34P	40.64	43.15
36	AH2547F-2x36P	43.18	45.69
38	AH2547F-2x38P	45.72	48.23
40	AH2547F-2x40P	48.26	50.77
42	AH2547F-2x42P	50.80	53.31
44	AH2547F-2x44P	53.34	55.85
46	AH2547F-2x46P	55.88	58.39
48	AH2547F-2x48P	58.42	60.93
50	AH2547F-2x50P	60.96	63.47
52	AH2547F-2x52P	63.50	66.01
54	AH2547F-2x54P	66.04	68.55
56	AH2547F-2x56P	68.58	71.09
58	AH2547F-2x58P	71.12	73.63
60	AH2547F-2x60P	73.66	76.17
62	AH2547F-2x62P	76.20	78.71
64	AH2547F-2x64P	78.74	81.25

Connectors Expert Around You

2.54mm Pitch 180° wafer connector

WAFER

- Part NO.:AW2547V-xP
- Material:Pin:Brass/Gold over Nickel
- Insulator:PBT30%GF,UL94V-0
- Mates with:AH2547 series Housing
- Color:Black



Ordering Information & Dimensions:

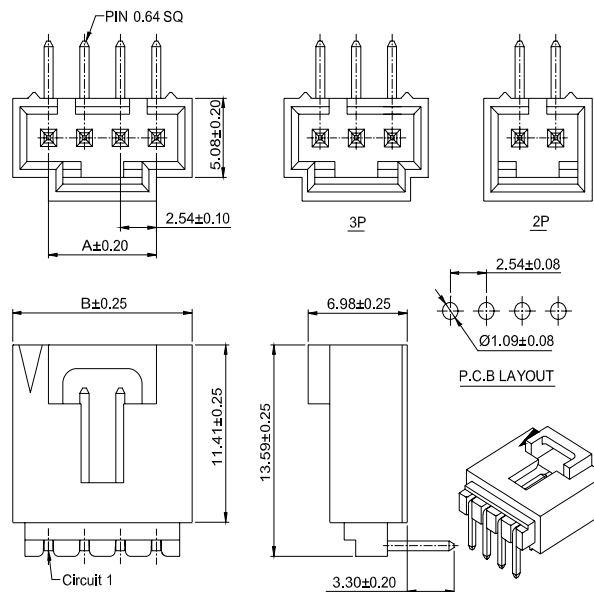
Poles	Part No.	Dimensions (mm)	
		A	B
02	AW2547V-02P	2.54	7.62
03	AW2547V-03P	5.08	10.16
04	AW2547V-04P	7.62	12.70
05	AW2547V-05P	10.16	15.24
06	AW2547V-06P	12.70	17.78
07	AW2547V-07P	15.24	20.32
08	AW2547V-08P	17.78	22.86
09	AW2547V-09P	20.32	25.40
10	AW2547V-10P	22.86	27.94
11	AW2547V-11P	25.40	30.48
12	AW2547V-12P	27.94	33.02
13	AW2547V-13P	30.48	35.56
14	AW2547V-14P	33.02	38.10
15	AW2547V-15P	35.56	40.64
16	AW2547V-16P	38.10	43.18
17	AW2547V-17P	40.64	45.72
18	AW2547V-18P	43.18	48.26
19	AW2547V-19P	45.72	50.80
20	AW2547V-20P	48.26	53.34
21	AW2547V-21P	50.80	55.88
22	AW2547V-22P	53.34	58.42
23	AW2547V-23P	55.88	60.96
24	AW2547V-24P	58.42	63.50
25	AW2547V-25P	60.96	66.04

Wire to Board

2.54mm Pitch 90° wafer connector

WAFER

- Part NO.:AW2547R-xP
- Material:Pin:Brass/Gold over Nickel
- Insulator:PBT30%GF,UL94V-0
- Mates with:AH2547 series Housing
- Color:Black



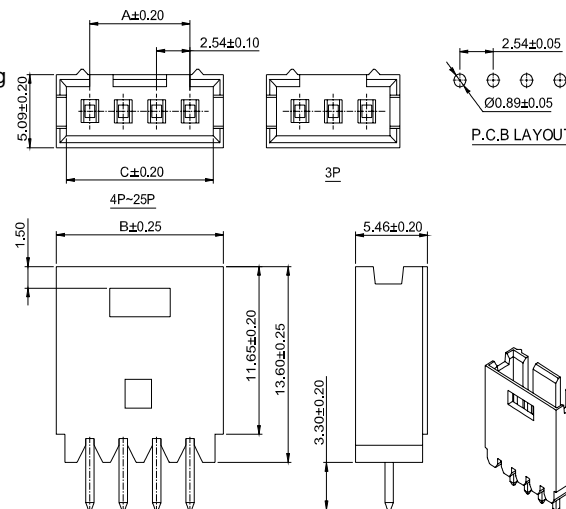
Ordering Information & Dimensions:

Poles	Part No.	Dimensions (mm)	
		A	B
02	AW2547R-02P	2.54	7.62
03	AW2547R-03P	5.08	10.16
04	AW2547R-04P	7.62	12.70
05	AW2547R-05P	10.16	15.24
06	AW2547R-06P	12.70	17.78
07	AW2547R-07P	15.24	20.32
08	AW2547R-08P	17.78	22.86
09	AW2547R-09P	20.32	25.40
10	AW2547R-10P	22.86	27.94
11	AW2547R-11P	25.40	30.48
12	AW2547R-12P	27.94	33.02
13	AW2547R-13P	30.48	35.56
14	AW2547R-14P	33.02	38.10
15	AW2547R-15P	35.56	40.64
16	AW2547R-16P	38.10	43.18
17	AW2547R-17P	40.64	45.72
18	AW2547R-18P	43.18	48.26
19	AW2547R-19P	45.72	50.80
20	AW2547R-20P	48.26	53.34
21	AW2547R-21P	50.80	55.88
22	AW2547R-22P	53.34	58.42
23	AW2547R-23P	55.88	60.96
24	AW2547R-24P	58.42	63.50
25	AW2547R-25P	60.96	66.04

2.54mm Pitch 180° wafer connector

WAFER

- Part NO.:AW2547VF-xP-G
- Material:Pin:Brass/Gold over Nickel
- Insulator:PBT,UL94V-0
- Mates with:AH2549D series Single Row Housing
- Color:Black



Ordering Information & Dimensions:

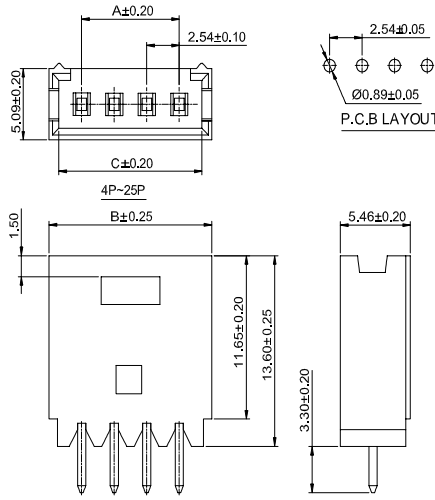
Poles	Part No.	Dimensions (mm)		
		A	B	C
03	AW2547VF-03P-G	5.08	10.16	8.13
04	AW2547VF-04P-G	7.62	12.70	10.67
05	AW2547VF-05P-G	10.16	15.24	13.21
06	AW2547VF-06P-G	12.70	17.78	15.75
07	AW2547VF-07P-G	15.24	20.32	18.29
08	AW2547VF-08P-G	17.78	22.86	20.83
09	AW2547VF-09P-G	20.32	25.40	23.37
10	AW2547VF-10P-G	22.86	27.94	25.91
11	AW2547VF-11P-G	25.40	30.48	28.45
12	AW2547VF-12P-G	27.94	33.02	30.99
13	AW2547VF-13P-G	30.48	35.56	33.53
14	AW2547VF-14P-G	33.02	38.10	36.07
15	AW2547VF-15P-G	35.56	40.64	38.61
16	AW2547VF-16P-G	38.10	43.18	41.15
17	AW2547VF-17P-G	40.64	45.72	43.69
18	AW2547VF-18P-G	43.18	48.26	46.23
19	AW2547VF-19P-G	45.72	50.80	48.77
20	AW2547VF-20P-G	48.26	53.34	51.31
21	AW2547VF-21P-G	50.80	55.88	53.85
22	AW2547VF-22P-G	53.34	58.42	56.39
23	AW2547VF-23P-G	55.88	60.96	58.93
24	AW2547VF-24P-G	58.42	63.50	61.47
25	AW2547VF-25P-G	60.96	66.04	64.01

Connectors Expert Around You

2.54mm Pitch 180° wafer connector

WAFER

- Part NO.:AW2547VE-xP-G
- Material:Pin:Brass/Gold over Nickel
- Insulator:PBT,UL94V-0
- Mates with:AH2549 AH2550-C AH2550-C1 series Housing
- Color:Black



Ordering Information & Dimensions:

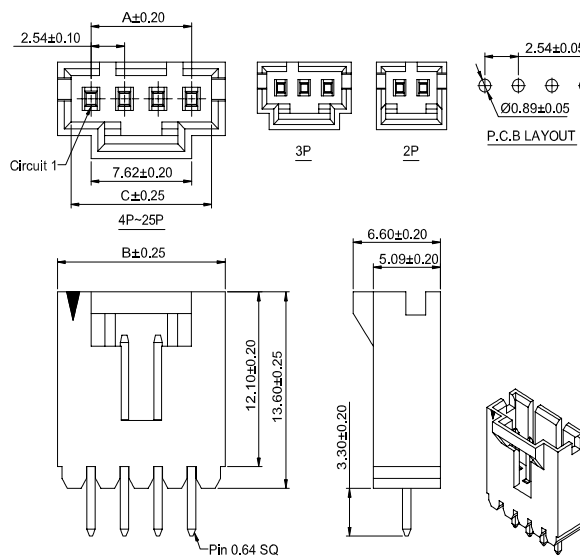
Poles	Part No.	Dimensions(mm)		
		A	B	C
02	AW2547VE-02P-G	2.54	7.62	5.59
03	AW2547VE-03P-G	5.08	10.16	8.13
04	AW2547VE-04P-G	7.62	12.70	10.67
05	AW2547VE-05P-G	10.16	15.24	13.21
06	AW2547VE-06P-G	12.70	17.78	15.75
07	AW2547VE-07P-G	15.24	20.32	18.29
08	AW2547VE-08P-G	17.78	22.86	20.83
09	AW2547VE-09P-G	20.32	25.40	23.37
10	AW2547VE-10P-G	22.86	27.94	25.91
11	AW2547VE-11P-G	25.40	30.48	28.45
12	AW2547VE-12P-G	27.94	33.02	30.99
13	AW2547VE-13P-G	30.48	35.56	33.53
14	AW2547VE-14P-G	33.02	38.10	36.07
15	AW2547VE-15P-G	35.56	40.64	38.61
16	AW2547VE-16P-G	38.10	43.18	41.15
17	AW2547VE-17P-G	40.64	45.72	43.69
18	AW2547VE-18P-G	43.18	48.26	46.23
19	AW2547VE-19P-G	45.72	50.80	48.77
20	AW2547VE-20P-G	48.26	53.34	51.31
21	AW2547VE-21P-G	50.80	55.88	53.85
22	AW2547VE-22P-G	53.34	58.42	56.39
23	AW2547VE-23P-G	55.88	60.96	58.93
24	AW2547VE-24P-G	58.42	63.50	61.47
25	AW2547VE-25P-G	60.96	66.04	64.01

Wire to Board

2.54mm Pitch 180° wafer connector

WAFER

- Part NO.:AW2547VA-xP-G
- Material:Pin:Brass/Gold over Nickel
- Insulator:PBT,UL94V-0
- Mates with:AH2547 AH2550 series Single Row Housing
- Color:Black



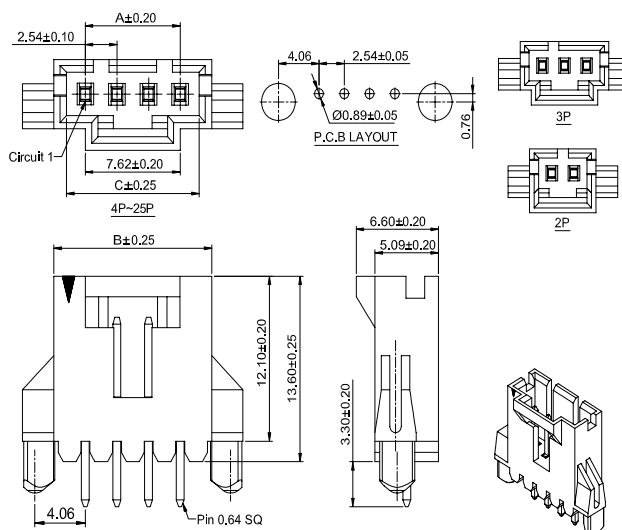
Ordering Information & Dimensions:

Poles	Part No.	Dimensions(mm)		
		A	B	C
02	AW2547VA-02P-G	2.54	7.62	5.59
03	AW2547VA-03P-G	5.08	10.16	8.13
04	AW2547VA-04P-G	7.62	12.70	10.67
05	AW2547VA-05P-G	10.16	15.24	13.21
06	AW2547VA-06P-G	12.70	17.78	15.75
07	AW2547VA-07P-G	15.24	20.32	18.29
08	AW2547VA-08P-G	17.78	22.86	20.83
09	AW2547VA-09P-G	20.32	25.40	23.37
10	AW2547VA-10P-G	22.86	27.94	25.91
11	AW2547VA-11P-G	25.40	30.48	28.45
12	AW2547VA-12P-G	27.94	33.02	30.99
13	AW2547VA-13P-G	30.48	35.56	33.53
14	AW2547VA-14P-G	33.02	38.10	36.07
15	AW2547VA-15P-G	35.56	40.64	38.61
16	AW2547VA-16P-G	38.10	43.18	41.15
17	AW2547VA-17P-G	40.64	45.72	43.69
18	AW2547VA-18P-G	43.18	48.26	46.23
19	AW2547VA-19P-G	45.72	50.80	48.77
20	AW2547VA-20P-G	48.26	53.34	51.31
21	AW2547VA-21P-G	50.80	55.88	53.85
22	AW2547VA-22P-G	53.34	58.42	56.39
23	AW2547VA-23P-G	55.88	60.96	58.93
24	AW2547VA-24P-G	58.42	63.50	61.47
25	AW2547VA-25P-G	60.96	66.04	64.01

2.54mm Pitch 180° wafer connector

WAFER

- Part NO.:AW2547VA-F-xP-G
- Material:Pin:Brass/Gold over Nickel
- Insulator:PBT,UL94V-0
- Mates with:AH2547 AH2550 series Single Row Housing
- Color:Black



Ordering Information & Dimensions:

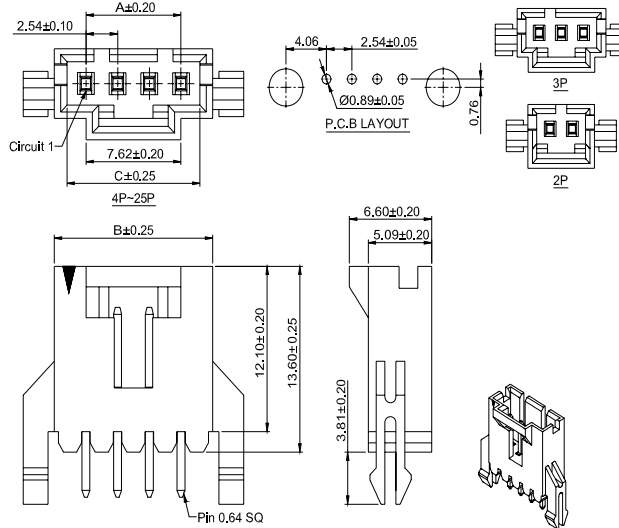
Poles	Part No.	Dimensions(mm)		
		A	B	C
02	AW2547VA-F-02P-G	2.54	7.62	5.59
03	AW2547VA-F-03P-G	5.08	10.16	8.13
04	AW2547VA-F-04P-G	7.62	12.70	10.67
05	AW2547VA-F-05P-G	10.16	15.24	13.21
06	AW2547VA-F-06P-G	12.70	17.78	15.75
07	AW2547VA-F-07P-G	15.24	20.32	18.29
08	AW2547VA-F-08P-G	17.78	22.86	20.83
09	AW2547VA-F-09P-G	20.32	25.40	23.37
10	AW2547VA-F-10P-G	22.86	27.94	25.91
11	AW2547VA-F-11P-G	25.40	30.48	28.45
12	AW2547VA-F-12P-G	27.94	33.02	30.99
13	AW2547VA-F-13P-G	30.48	35.56	33.53
14	AW2547VA-F-14P-G	33.02	38.10	36.07
15	AW2547VA-F-15P-G	35.56	40.64	38.61
16	AW2547VA-F-16P-G	38.10	43.18	41.15
17	AW2547VA-F-17P-G	40.64	45.72	43.69
18	AW2547VA-F-18P-G	43.18	48.26	46.23
19	AW2547VA-F-19P-G	45.72	50.80	48.77
20	AW2547VA-F-20P-G	48.26	53.34	51.31
21	AW2547VA-F-21P-G	50.80	55.88	53.85
22	AW2547VA-F-22P-G	53.34	58.42	56.39
23	AW2547VA-F-23P-G	55.88	60.96	58.93
24	AW2547VA-F-24P-G	58.42	63.50	61.47
25	AW2547VA-F-25P-G	60.96	66.04	64.01

Connectors Expert Around You

2.54mm Pitch 180° wafer connector

WAFER

- Part NO.:AW2547VA-F2-xP-G
- Material:Pin:Brass/Gold over Nickel
- Insulator:PBT,UL94V-0
- Mates with:AH2547 AH2550 series Single Row Housing
- Color:Black



Ordering Information & Dimensions:

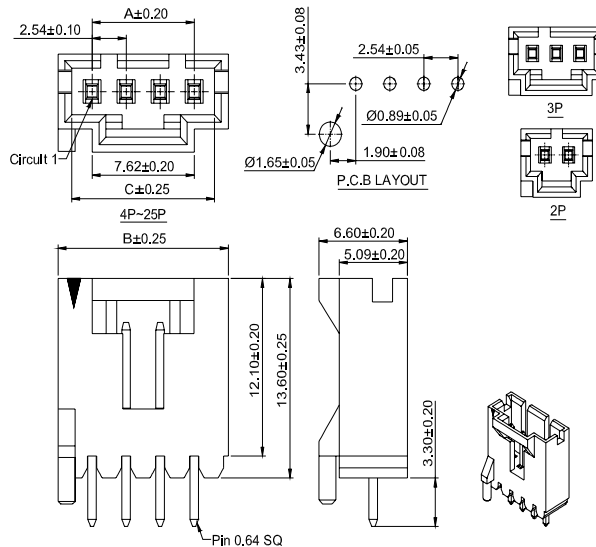
Poles	Part No.	Dimensions (mm)		
		A	B	C
02	AW2547VA-F2-02P-G	2.54	7.62	5.59
03	AW2547VA-F2-03P-G	5.08	10.16	8.13
04	AW2547VA-F2-04P-G	7.62	12.70	10.67
05	AW2547VA-F2-05P-G	10.16	15.24	13.21
06	AW2547VA-F2-06P-G	12.70	17.78	15.75
07	AW2547VA-F2-07P-G	15.24	20.32	18.29
08	AW2547VA-F2-08P-G	17.78	22.86	20.83
09	AW2547VA-F2-09P-G	20.32	25.40	23.37
10	AW2547VA-F2-10P-G	22.86	27.94	25.91
11	AW2547VA-F2-11P-G	25.40	30.48	28.45
12	AW2547VA-F2-12P-G	27.94	33.02	30.99
13	AW2547VA-F2-13P-G	30.48	35.56	33.53
14	AW2547VA-F2-14P-G	33.02	38.10	36.07
15	AW2547VA-F2-15P-G	35.56	40.64	38.61
16	AW2547VA-F2-16P-G	38.10	43.18	41.15
17	AW2547VA-F2-17P-G	40.64	45.72	43.69
18	AW2547VA-F2-18P-G	43.18	48.26	46.23
19	AW2547VA-F2-19P-G	45.72	50.80	48.77
20	AW2547VA-F2-20P-G	48.26	53.34	51.31
21	AW2547VA-F2-21P-G	50.80	55.88	53.85
22	AW2547VA-F2-22P-G	53.34	58.42	56.39
23	AW2547VA-F2-23P-G	55.88	60.96	58.93
24	AW2547VA-F2-24P-G	58.42	63.50	61.47
25	AW2547VA-F2-25P-G	60.96	66.04	64.01

Wire to Board

2.54mm Pitch 180° wafer connector

WAFER

- Part NO.:AW2547VA-F1-xP-G
- Material:Pin:Brass/Gold over Nickel
- Insulator:PBT,UL94V-0
- Mates with:AH2547 AH2550 series Single Row Housing
- Color:Black



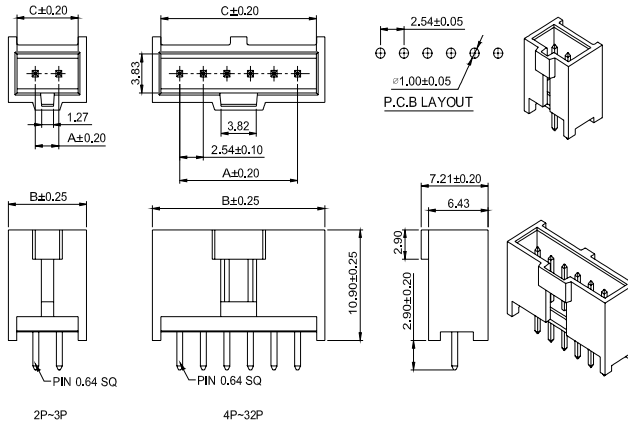
Ordering Information & Dimensions:

Poles	Part No.	Dimensions (mm)		
		A	B	C
02	AW2547VA-F1-02P-G	2.54	7.62	5.59
03	AW2547VA-F1-03P-G	5.08	10.16	8.13
04	AW2547VA-F1-04P-G	7.62	12.70	10.67
05	AW2547VA-F1-05P-G	10.16	15.24	13.21
06	AW2547VA-F1-06P-G	12.70	17.78	15.75
07	AW2547VA-F1-07P-G	15.24	20.32	18.29
08	AW2547VA-F1-08P-G	17.78	22.86	20.83
09	AW2547VA-F1-09P-G	20.32	25.40	23.37
10	AW2547VA-F1-10P-G	22.86	27.94	25.91
11	AW2547VA-F1-11P-G	25.40	30.48	28.45
12	AW2547VA-F1-12P-G	27.94	33.02	30.99
13	AW2547VA-F1-13P-G	30.48	35.56	33.53
14	AW2547VA-F1-14P-G	33.02	38.10	36.07
15	AW2547VA-F1-15P-G	35.56	40.64	38.61
16	AW2547VA-F1-16P-G	38.10	43.18	41.15
17	AW2547VA-F1-17P-G	40.64	45.72	43.69
18	AW2547VA-F1-18P-G	43.18	48.26	46.23
19	AW2547VA-F1-19P-G	45.72	50.80	48.77
20	AW2547VA-F1-20P-G	48.26	53.34	51.31
21	AW2547VA-F1-21P-G	50.80	55.88	53.85
22	AW2547VA-F1-22P-G	53.34	58.42	56.39
23	AW2547VA-F1-23P-G	55.88	60.96	58.93
24	AW2547VA-F1-24P-G	58.42	63.50	61.47
25	AW2547VA-F1-25P-G	60.96	66.04	64.01

2.54mm Pitch 180° box header connector

WAFER

- Part NO.:AW2547VB-xP
- Material:Pin:Brass/Gold over Nickel
- Insulator:PBT,UL94V-0
- Mates with:AH2547J series Single Row Housing
- Color:Black



Ordering Information & Dimensions:

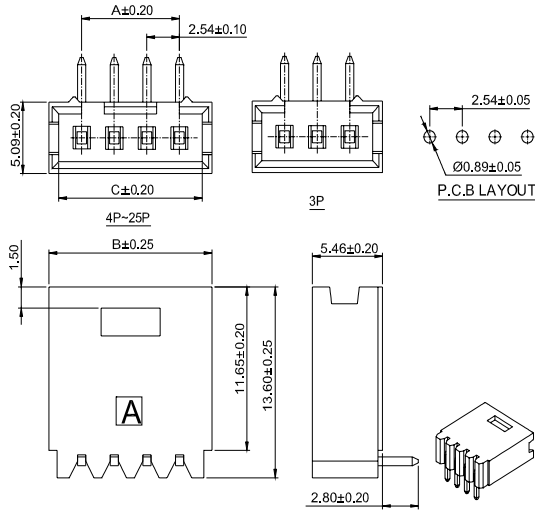
Poles	Part No.	Dimensions (mm)		
		A	B	C
02	AW2547VB-02P	2.54	8.43	6.60
03	AW2547VB-03P	5.08	10.97	9.14
04	AW2547VB-04P	7.62	13.51	11.68
05	AW2547VB-05P	10.16	16.05	14.22
06	AW2547VB-06P	12.70	18.59	16.76
07	AW2547VB-07P	15.24	21.13	19.30
08	AW2547VB-08P	17.78	23.67	21.84
09	AW2547VB-09P	20.32	26.21	24.38
10	AW2547VB-10P	22.86	28.75	26.92
11	AW2547VB-11P	25.40	31.29	29.46
12	AW2547VB-12P	27.94	33.83	32.00
13	AW2547VB-13P	30.48	36.37	34.54
14	AW2547VB-14P	33.02	38.91	37.08
15	AW2547VB-15P	35.56	41.45	39.62
16	AW2547VB-16P	38.10	43.99	42.16
17	AW2547VB-17P	40.64	46.53	44.70
18	AW2547VB-18P	43.18	49.07	47.24
19	AW2547VB-19P	45.72	51.61	49.78
20	AW2547VB-20P	48.26	54.15	52.32
21	AW2547VB-21P	50.80	56.69	54.86
22	AW2547VB-22P	53.34	59.23	57.40
23	AW2547VB-23P	55.88	61.77	59.94
24	AW2547VB-24P	58.42	64.31	62.48
25	AW2547VB-25P	60.96	66.85	65.02
26	AW2547VB-26P	63.50	69.39	67.56
27	AW2547VB-27P	66.04	71.93	70.10
28	AW2547VB-28P	68.58	74.47	72.64
29	AW2547VB-29P	71.12	77.01	75.18
30	AW2547VB-30P	73.66	79.55	77.72
31	AW2547VB-31P	76.20	82.09	80.26
32	AW2547VB-32P	78.74	84.63	82.80

Connectors Expert Around You

2.54mm Pitch 90° wafer connector

WAFER

- Part NO.:AW2547RF-xP-G
- Material:Pin:Brass/Gold over Nickel
- Insulator:PBT,UL94V-0
- Mates with:AH2549D series Single Row Housing
- Color:Black



Ordering Information & Dimensions:

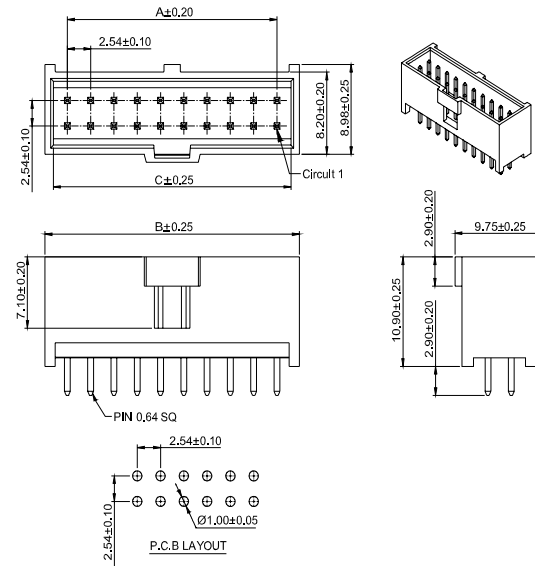
Poles	Part No.	Dimensions (mm)		
		A	B	C
03	AW2547RF-03P-G	5.08	10.16	8.13
04	AW2547RF-04P-G	7.62	12.70	10.67
05	AW2547RF-05P-G	10.16	15.24	13.21
06	AW2547RF-06P-G	12.70	17.78	15.75
07	AW2547RF-07P-G	15.24	20.32	18.29
08	AW2547RF-08P-G	17.78	22.86	20.83
09	AW2547RF-09P-G	20.32	25.40	23.37
10	AW2547RF-10P-G	22.86	27.94	25.91
11	AW2547RF-11P-G	25.40	30.48	28.45
12	AW2547RF-12P-G	27.94	33.02	30.99
13	AW2547RF-13P-G	30.48	35.56	33.53
14	AW2547RF-14P-G	33.02	38.10	36.07
15	AW2547RF-15P-G	35.56	40.64	38.61
16	AW2547RF-16P-G	38.10	43.18	41.15
17	AW2547RF-17P-G	40.64	45.72	43.69
18	AW2547RF-18P-G	43.18	48.26	46.23
19	AW2547RF-19P-G	45.72	50.80	48.77
20	AW2547RF-20P-G	48.26	53.34	51.31
21	AW2547RF-21P-G	50.80	55.88	53.85
22	AW2547RF-22P-G	53.34	58.42	56.39
23	AW2547RF-23P-G	55.88	60.96	58.93
24	AW2547RF-24P-G	58.42	63.50	61.47
25	AW2547RF-25P-G	60.96	66.04	64.01

Wire to Board

2.54mm Pitch 180° box header connector

WAFER

- Part NO.:AW2547VB-2xNP
- Material:Pin:Brass/Gold over Nickel
- Insulator:PBT15%GF,UL94V-0
- Mates with:AH2547J series Housing
- Color:Black



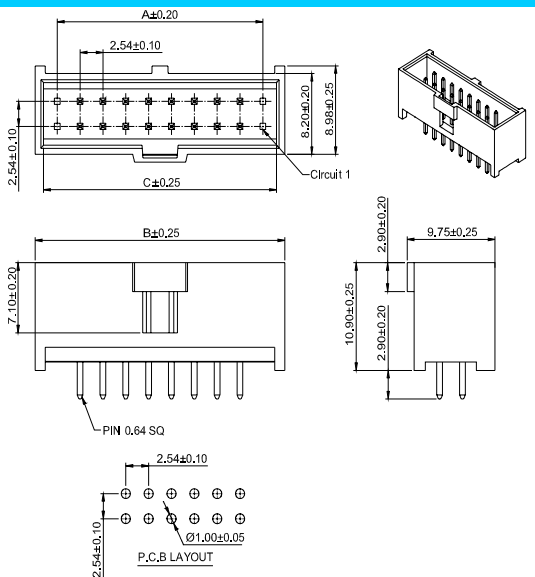
Ordering Information & Dimensions:

Poles	Part No.	Dimensions (mm)		
		A	B	C
06	AW2547VB-2x03P	5.08	9.96	8.12
08	AW2547VB-2x04P	7.62	12.50	10.66
10	AW2547VB-2x05P	10.16	15.04	13.20
12	AW2547VB-2x06P	12.70	17.58	15.74
14	AW2547VB-2x07P	15.24	20.12	18.28
16	AW2547VB-2x08P	17.78	22.66	20.82
18	AW2547VB-2x09P	20.32	25.20	23.36
20	AW2547VB-2x10P	22.86	27.74	25.90
22	AW2547VB-2x11P	25.40	30.28	28.44
24	AW2547VB-2x12P	27.94	32.82	30.98
26	AW2547VB-2x13P	30.48	35.36	33.52
28	AW2547VB-2x14P	33.02	37.90	36.06
30	AW2547VB-2x15P	35.56	40.44	38.60
32	AW2547VB-2x16P	38.10	42.98	41.14
34	AW2547VB-2x17P	40.64	45.52	43.68
36	AW2547VB-2x18P	43.18	48.06	46.22
38	AW2547VB-2x19P	45.72	50.60	48.76
40	AW2547VB-2x20P	48.26	53.14	51.30
42	AW2547VB-2x21P	50.80	55.68	53.84
44	AW2547VB-2x22P	53.34	58.22	56.38
46	AW2547VB-2x23P	55.88	60.76	58.92
48	AW2547VB-2x24P	58.42	63.30	61.46
50	AW2547VB-2x25P	60.96	65.84	64.00
52	AW2547VB-2x26P	63.50	68.38	66.54
54	AW2547VB-2x27P	66.04	70.92	69.08
56	AW2547VB-2x28P	68.58	73.46	71.62
58	AW2547VB-2x29P	71.12	76.00	74.16
60	AW2547VB-2x30P	73.66	78.54	76.70
62	AW2547VB-2x31P	76.20	81.08	79.24
64	AW2547VB-2x32P	78.74	83.62	81.78

2.54mm Pitch 180° box header connector

WAFER

- Part NO.:AW2547VB-2xNP-A
- Material:Pin:Brass/Gold over Nickel
- Insulator:PBT15%GF,UL94V-0
- Mates with:AH2547J series Housing
- Color:Black



Ordering Information & Dimensions:

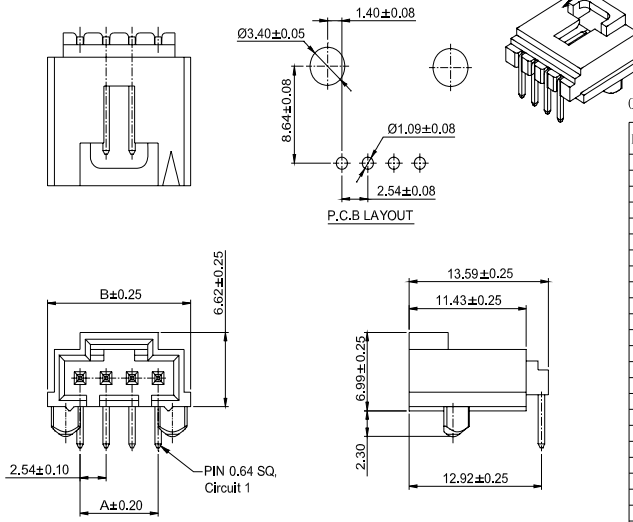
Poles	Part No.	Dimensions (mm)		
		A	B	C
06	AW2547VB-2x03P-A	5.08	15.04	13.20
08	AW2547VB-2x04P-A	7.62	17.58	15.74
10	AW2547VB-2x05P-A	10.16	20.12	18.28
12	AW2547VB-2x06P-A	12.70	22.66	20.82
14	AW2547VB-2x07P-A	15.24	25.20	23.36
16	AW2547VB-2x08P-A	17.78	27.74	25.90
18	AW2547VB-2x09P-A	20.32	30.28	28.44
20	AW2547VB-2x10P-A	22.86	32.82	30.98
22	AW2547VB-2x11P-A	25.40	35.36	33.52
24	AW2547VB-2x12P-A	27.94	37.90	36.06
26	AW2547VB-2x13P-A	30.48	40.44	38.60
28	AW2547VB-2x14P-A	33.02	42.98	41.14
30	AW2547VB-2x15P-A	35.56	45.52	43.68
32	AW2547VB-2x16P-A	38.10	48.06	46.22
34	AW2547VB-2x17P-A	40.64	50.60	48.76
36	AW2547VB-2x18P-A	43.18	53.14	51.30
38	AW2547VB-2x19P-A	45.72	55.68	53.84
40	AW2547VB-2x20P-A	48.26	58.22	56.38
42	AW2547VB-2x21P-A	50.80	60.76	58.92
44	AW2547VB-2x22P-A	53.34	63.30	61.46
46	AW2547VB-2x23P-A	55.88	65.84	64.00
48	AW2547VB-2x24P-A	58.42	68.38	66.54
50	AW2547VB-2x25P-A	60.96	70.92	69.08
52	AW2547VB-2x26P-A	63.50	73.46	71.62
54	AW2547VB-2x27P-A	66.04	76.00	74.16
56	AW2547VB-2x28P-A	68.58	78.54	76.70
58	AW2547VB-2x29P-A	71.12	81.08	79.24
60	AW2547VB-2x30P-A	73.66	83.62	81.78
62	AW2547VB-2x31P-A	76.20	86.16	84.32
64	AW2547VB-2x32P-A	78.74	88.70	86.86

Connectors Expert Around You

2.54mm Pitch 90° wafer connector

WAFER

- Part NO.:AW2547R-F-xP
- Material:Pin:Brass/Gold over Nickel
Insulator:PBT30%GF,UL94V-0
- Mates with:AH2547 series Housing
- Color:Black



Ordering Information & Dimensions:

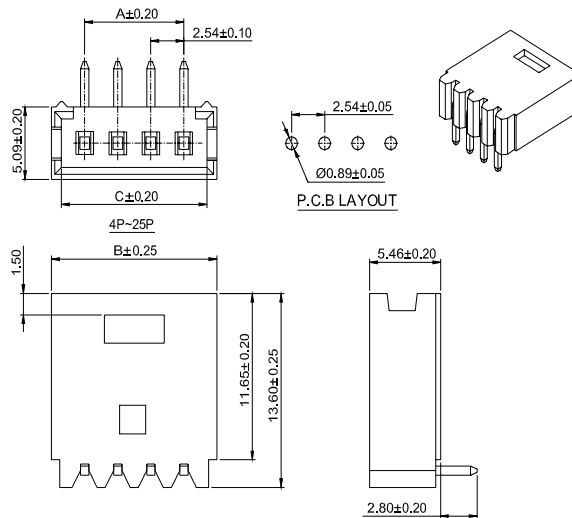
Poles	Part No.	Dimensions (mm)	
		A	B
02	AW2547R-F-02P	2.54	8.89
03	AW2547R-F-03P	5.08	11.43
04	AW2547R-F-04P	7.62	13.97
05	AW2547R-F-05P	10.16	16.51
06	AW2547R-F-06P	12.70	19.05
07	AW2547R-F-07P	15.24	21.59
08	AW2547R-F-08P	17.78	24.13
09	AW2547R-F-09P	20.32	26.67
10	AW2547R-F-10P	22.86	29.21
11	AW2547R-F-11P	25.40	31.75
12	AW2547R-F-12P	27.94	34.29
13	AW2547R-F-13P	30.48	36.83
14	AW2547R-F-14P	33.02	39.37
15	AW2547R-F-15P	35.56	41.91
16	AW2547R-F-16P	38.10	44.45
17	AW2547R-F-17P	40.64	46.99
18	AW2547R-F-18P	43.18	49.53
19	AW2547R-F-19P	45.72	52.07
20	AW2547R-F-20P	48.26	54.61
21	AW2547R-F-21P	50.80	57.15
22	AW2547R-F-22P	53.34	59.69
23	AW2547R-F-23P	55.88	62.23
24	AW2547R-F-24P	58.42	64.77
25	AW2547R-F-25P	60.96	67.31

Wire to Board

2.54mm Pitch 90° wafer connector

WAFER

- Part NO.:AW2547RE-xP-G
- Material:Pin:Brass/Gold over Nickel
Insulator:PBT,UL94V-0
- Mates with:AH2549 AH2550-C AH2550-C1 series Housing
- Color:Black



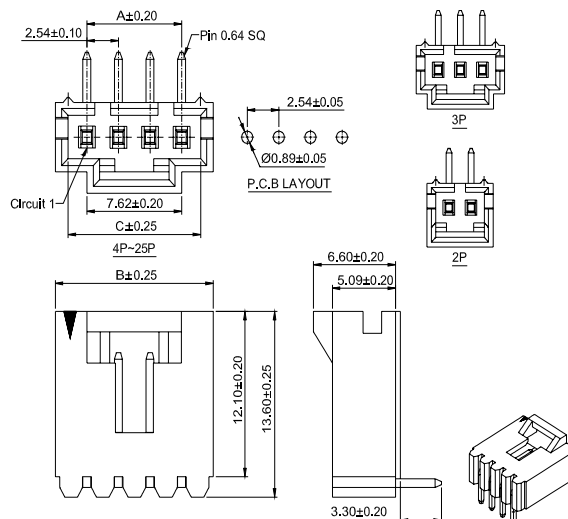
Ordering Information & Dimensions:

Poles	Part No.	Dimensions (mm)		
		A	B	C
02	AW2547RE-02P-G	2.54	7.62	5.59
03	AW2547RE-03P-G	5.08	10.16	8.13
04	AW2547RE-04P-G	7.62	12.70	10.67
05	AW2547RE-05P-G	10.16	15.24	13.21
06	AW2547RE-06P-G	12.70	17.78	15.75
07	AW2547RE-07P-G	15.24	20.32	18.29
08	AW2547RE-08P-G	17.78	22.86	20.83
09	AW2547RE-09P-G	20.32	25.40	23.37
10	AW2547RE-10P-G	22.86	27.94	25.91
11	AW2547RE-11P-G	25.40	30.48	28.45
12	AW2547RE-12P-G	27.94	33.02	30.99
13	AW2547RE-13P-G	30.48	35.56	33.53
14	AW2547RE-14P-G	33.02	38.10	36.07
15	AW2547RE-15P-G	35.56	40.64	38.61
16	AW2547RE-16P-G	38.10	43.18	41.15
17	AW2547RE-17P-G	40.64	45.72	43.69
18	AW2547RE-18P-G	43.18	48.26	46.23
19	AW2547RE-19P-G	45.72	50.80	48.77
20	AW2547RE-20P-G	48.26	53.34	51.31
21	AW2547RE-21P-G	50.80	55.88	53.85
22	AW2547RE-22P-G	53.34	58.42	56.39
23	AW2547RE-23P-G	55.88	60.96	58.93
24	AW2547RE-24P-G	58.42	63.50	61.47
25	AW2547RE-25P-G	60.96	66.04	64.01

2.54mm Pitch 90° wafer connector

WAFER

- Part NO.:AW2547RA-xP-G
- Material:Pin:Brass/Gold over Nickel
Insulator:PBT,UL94V-0
- Mates with:AH2547 AH2550 series Single Row Housing
- Color:Black



Ordering Information & Dimensions:

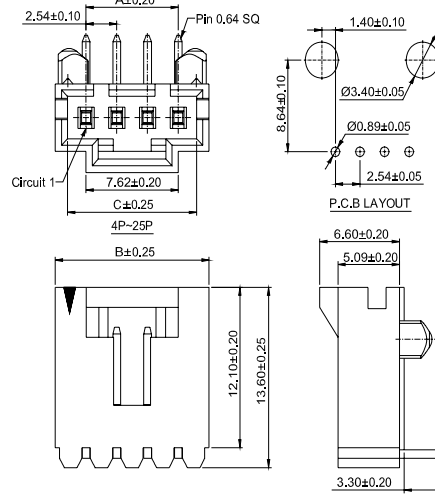
Poles	Part No.	Dimensions (mm)		
		A	B	C
02	AW2547RA-02P-G	2.54	7.62	5.59
03	AW2547RA-03P-G	5.08	10.16	8.13
04	AW2547RA-04P-G	7.62	12.70	10.67
05	AW2547RA-05P-G	10.16	15.24	13.21
06	AW2547RA-06P-G	12.70	17.78	15.75
07	AW2547RA-07P-G	15.24	20.32	18.29
08	AW2547RA-08P-G	17.78	22.86	20.83
09	AW2547RA-09P-G	20.32	25.40	23.37
10	AW2547RA-10P-G	22.86	27.94	25.91
11	AW2547RA-11P-G	25.40	30.48	28.45
12	AW2547RA-12P-G	27.94	33.02	30.99
13	AW2547RA-13P-G	30.48	35.56	33.53
14	AW2547RA-14P-G	33.02	38.10	36.07
15	AW2547RA-15P-G	35.56	40.64	38.61
16	AW2547RA-16P-G	38.10	43.18	41.15
17	AW2547RA-17P-G	40.64	45.72	43.69
18	AW2547RA-18P-G	43.18	48.26	46.23
19	AW2547RA-19P-G	45.72	50.80	48.77
20	AW2547RA-20P-G	48.26	53.34	51.31
21	AW2547RA-21P-G	50.80	55.88	53.85
22	AW2547RA-22P-G	53.34	58.42	56.39
23	AW2547RA-23P-G	55.88	60.96	58.93
24	AW2547RA-24P-G	58.42	63.50	61.47
25	AW2547RA-25P-G	60.96	66.04	64.01

Connectors Expert Around You

2.54mm pitch 90°Wafer Connector

WAFER

- Part NO.:AW2547RA-F-xP-G
- Material:Pin:Brass/Gold over Nickel
Insulator:PBT,UL94V-0
- Mates with:AH2547 AH2550 series Single Row Housing
- Color:Black



Ordering Information & Dimensions:

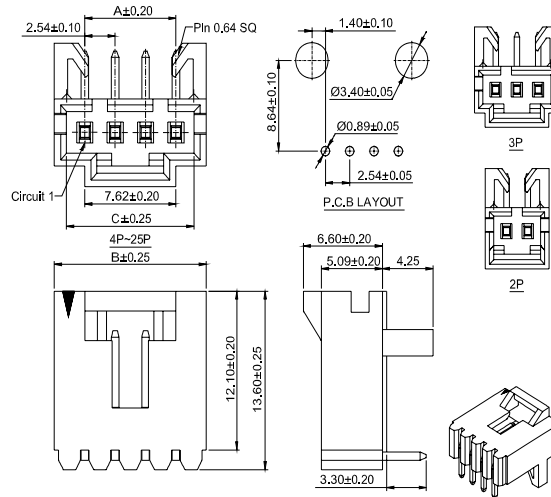
Poles	Part No.	Dimensions (mm)		
		A	B	C
02	AW2547RA-F-02P-G	2.54	7.62	5.59
03	AW2547RA-F-03P-G	5.08	10.16	8.13
04	AW2547RA-F-04P-G	7.62	12.70	10.67
05	AW2547RA-F-05P-G	10.16	15.24	13.21
06	AW2547RA-F-06P-G	12.70	17.78	15.75
07	AW2547RA-F-07P-G	15.24	20.32	18.29
08	AW2547RA-F-08P-G	17.78	22.86	20.83
09	AW2547RA-F-09P-G	20.32	25.40	23.37
10	AW2547RA-F-10P-G	22.86	27.94	25.91
11	AW2547RA-F-11P-G	25.40	30.48	28.45
12	AW2547RA-F-12P-G	27.94	33.02	30.99
13	AW2547RA-F-13P-G	30.48	35.56	33.53
14	AW2547RA-F-14P-G	33.02	38.10	36.07
15	AW2547RA-F-15P-G	35.56	40.64	38.61
16	AW2547RA-F-16P-G	38.10	43.18	41.15
17	AW2547RA-F-17P-G	40.64	45.72	43.69
18	AW2547RA-F-18P-G	43.18	48.26	46.23
19	AW2547RA-F-19P-G	45.72	50.80	48.77
20	AW2547RA-F-20P-G	48.26	53.34	51.31
21	AW2547RA-F-21P-G	50.80	55.88	53.85
22	AW2547RA-F-22P-G	53.34	58.42	56.39
23	AW2547RA-F-23P-G	55.88	60.96	58.93
24	AW2547RA-F-24P-G	58.42	63.50	61.47
25	AW2547RA-F-25P-G	60.96	66.04	64.01

Wire to Board

2.54mm pitch 90°Wafer Connector

WAFER

- Part NO.:AW2547RA-FJ-xP-G
- Material:Pin:Brass/Gold over Nickel
Insulator:PBT,UL94V-0
- Mates with:AH2547 AH2550 series Single Row Housing
- Color:Black



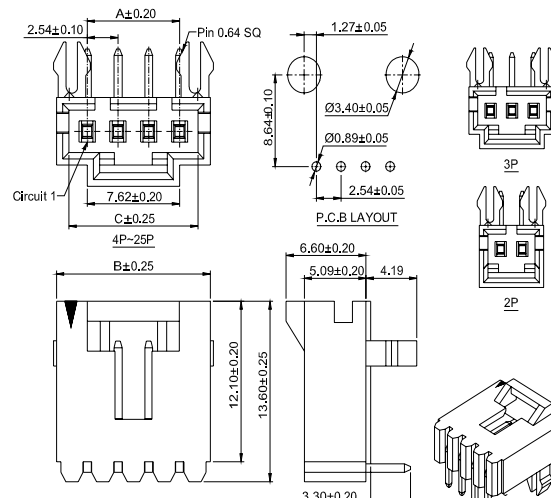
Ordering Information & Dimensions:

Poles	Part No.	Dimensions (mm)		
		A	B	C
02	AW2547RA-FJ-02P-G	2.54	7.62	5.59
03	AW2547RA-FJ-03P-G	5.08	10.16	8.13
04	AW2547RA-FJ-04P-G	7.62	12.70	10.67
05	AW2547RA-FJ-05P-G	10.16	15.24	13.21
06	AW2547RA-FJ-06P-G	12.70	17.78	15.75
07	AW2547RA-FJ-07P-G	15.24	20.32	18.29
08	AW2547RA-FJ-08P-G	17.78	22.86	20.83
09	AW2547RA-FJ-09P-G	20.32	25.40	23.37
10	AW2547RA-FJ-10P-G	22.86	27.94	25.91
11	AW2547RA-FJ-11P-G	25.40	30.48	28.45
12	AW2547RA-FJ-12P-G	27.94	33.02	30.99
13	AW2547RA-FJ-13P-G	30.48	35.56	33.53
14	AW2547RA-FJ-14P-G	33.02	38.10	36.07
15	AW2547RA-FJ-15P-G	35.56	40.64	38.61
16	AW2547RA-FJ-16P-G	38.10	43.18	41.15
17	AW2547RA-FJ-17P-G	40.64	45.72	43.69
18	AW2547RA-FJ-18P-G	43.18	48.26	46.23
19	AW2547RA-FJ-19P-G	45.72	50.80	48.77
20	AW2547RA-FJ-20P-G	48.26	53.34	51.31
21	AW2547RA-FJ-21P-G	50.80	55.88	53.85
22	AW2547RA-FJ-22P-G	53.34	58.42	56.39
23	AW2547RA-FJ-23P-G	55.88	60.96	58.93
24	AW2547RA-FJ-24P-G	58.42	63.50	61.47
25	AW2547RA-FJ-25P-G	60.96	66.04	64.01

2.54mm pitch 90°Wafer Connector

WAFER

- Part NO.:AW2547RA-F2-xP-G
- Material:Pin:Brass/Gold over Nickel
Insulator:PBT,UL94V-0
- Mates with:AH2547 AH2550 series Single Row Housing
- Color:Black



Ordering Information & Dimensions:

Poles	Part No.	Dimensions (mm)		
		A	B	C
02	AW2547RA-F2-02P-G	2.54	7.62	5.59
03	AW2547RA-F2-03P-G	5.08	10.16	8.13
04	AW2547RA-F2-04P-G	7.62	12.70	10.67
05	AW2547RA-F2-05P-G	10.16	15.24	13.21
06	AW2547RA-F2-06P-G	12.70	17.78	15.75
07	AW2547RA-F2-07P-G	15.24	20.32	18.29
08	AW2547RA-F2-08P-G	17.78	22.86	20.83
09	AW2547RA-F2-09P-G	20.32	25.40	23.37
10	AW2547RA-F2-10P-G	22.86	27.94	25.91
11	AW2547RA-F2-11P-G	25.40	30.48	28.45
12	AW2547RA-F2-12P-G	27.94	33.02	30.99
13	AW2547RA-F2-13P-G	30.48	35.56	33.53
14	AW2547RA-F2-14P-G	33.02	38.10	36.07
15	AW2547RA-F2-15P-G	35.56	40.64	38.61
16	AW2547RA-F2-16P-G	38.10	43.18	41.15
17	AW2547RA-F2-17P-G	40.64	45.72	43.69
18	AW2547RA-F2-18P-G	43.18	48.26	46.23
19	AW2547RA-F2-19P-G	45.72	50.80	48.77
20	AW2547RA-F2-20P-G	48.26	53.34	51.31
21	AW2547RA-F2-21P-G	50.80	55.88	53.85
22	AW2547RA-F2-22P-G	53.34	58.42	56.39
23	AW2547RA-F2-23P-G	55.88	60.96	58.93
24	AW2547RA-F2-24P-G	58.42	63.50	61.47
25	AW2547RA-F2-25P-G	60.96	66.04	64.01

Connectors Expert Around You

2.54mm Pitch 90° wafer connector

WAFER

Part NO.:AW2547RA-F1-xP-G

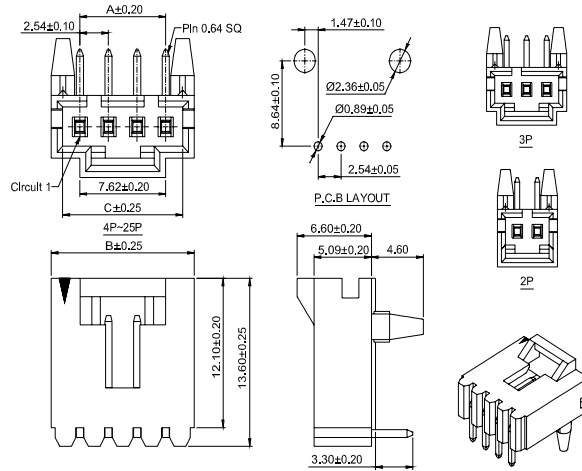
Material:Pin:Brass/Gold over Nickel

Insulator:PBT,UL94V-0

Mates with:AH2547 AH2550 series Single Row

Housing

Color:Black



Ordering Information & Dimensions:

Poles	Part No.	Dimensions (mm)		
		A	B	C
02	AW2547RA-F1-02P-G	2.54	7.62	5.59
03	AW2547RA-F1-03P-G	5.08	10.16	8.13
04	AW2547RA-F1-04P-G	7.62	12.70	10.67
05	AW2547RA-F1-05P-G	10.16	15.24	13.21
06	AW2547RA-F1-06P-G	12.70	17.78	15.75
07	AW2547RA-F1-07P-G	15.24	20.32	18.29
08	AW2547RA-F1-08P-G	17.78	22.86	20.83
09	AW2547RA-F1-09P-G	20.32	25.40	23.37
10	AW2547RA-F1-10P-G	22.86	27.94	25.91
11	AW2547RA-F1-11P-G	25.40	30.48	28.45
12	AW2547RA-F1-12P-G	27.94	33.02	30.99
13	AW2547RA-F1-13P-G	30.48	35.56	33.53
14	AW2547RA-F1-14P-G	33.02	38.10	36.07
15	AW2547RA-F1-15P-G	35.56	40.64	38.61
16	AW2547RA-F1-16P-G	38.10	43.18	41.15
17	AW2547RA-F1-17P-G	40.64	45.72	43.69
18	AW2547RA-F1-18P-G	43.18	48.26	46.23
19	AW2547RA-F1-19P-G	45.72	50.80	48.77
20	AW2547RA-F1-20P-G	48.26	53.34	51.31
21	AW2547RA-F1-21P-G	50.80	55.88	53.85
22	AW2547RA-F1-22P-G	53.34	58.42	56.39
23	AW2547RA-F1-23P-G	55.88	60.96	58.93
24	AW2547RA-F1-24P-G	58.42	63.50	61.47
25	AW2547RA-F1-25P-G	60.96	66.04	64.01

2.54mm Pitch 90° box header connector

WAFER

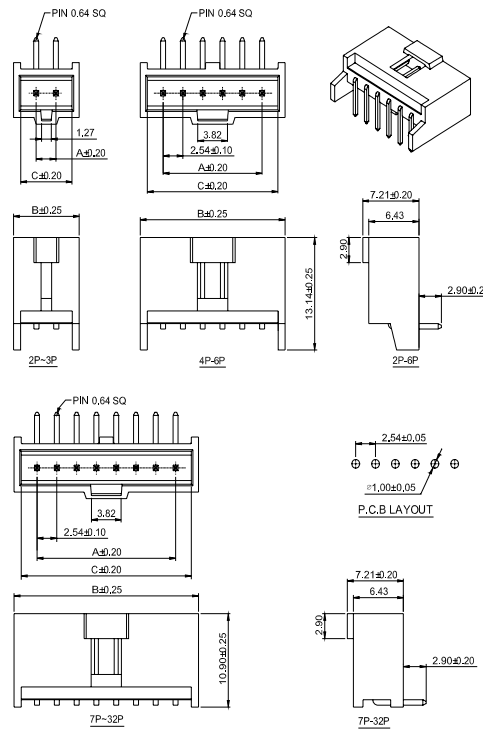
Part NO.:AW2547RB-xP

Material:Pin:Brass/Gold over Nickel

Insulator:PBT,UL94V-0

Mates with:AH2547J series Single Row Housing

Color:Black



Ordering Information & Dimensions:

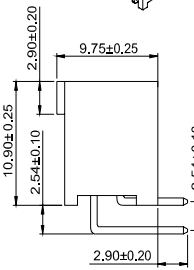
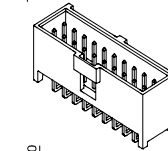
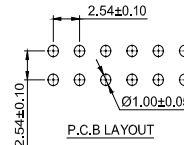
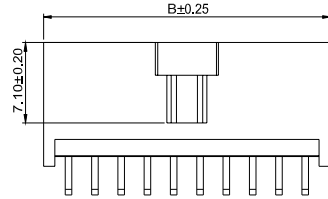
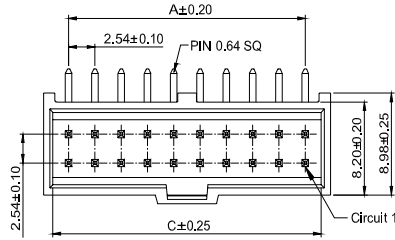
Poles	Part No.	Dimensions (mm)		
		A	B	C
02	AW2547RB-02P	2.54	8.43	6.60
03	AW2547RB-03P	5.08	10.97	9.14
04	AW2547RB-04P	7.62	13.51	11.68
05	AW2547RB-05P	10.16	16.05	14.22
06	AW2547RB-06P	12.70	18.59	16.76
07	AW2547RB-07P	15.24	21.13	19.30
08	AW2547RB-08P	17.78	23.67	21.84
09	AW2547RB-09P	20.32	26.21	24.38
10	AW2547RB-10P	22.86	28.75	26.92
11	AW2547RB-11P	25.40	31.29	29.46
12	AW2547RB-12P	27.94	33.83	32.00
13	AW2547RB-13P	30.48	36.37	34.54
14	AW2547RB-14P	33.02	38.91	37.08
15	AW2547RB-15P	35.56	41.45	39.62
16	AW2547RB-16P	38.10	43.99	42.16
17	AW2547RB-17P	40.64	46.53	44.70
18	AW2547RB-18P	43.18	49.07	47.24
19	AW2547RB-19P	45.72	51.61	49.78
20	AW2547RB-20P	48.26	54.15	52.32
21	AW2547RB-21P	50.80	56.69	54.86
22	AW2547RB-22P	53.34	59.23	57.40
23	AW2547RB-23P	55.88	61.77	59.94
24	AW2547RB-24P	58.42	64.31	62.48
25	AW2547RB-25P	60.96	66.85	65.02
26	AW2547RB-26P	63.50	69.39	67.56
27	AW2547RB-27P	66.04	71.93	70.10
28	AW2547RB-28P	68.58	74.47	72.64
29	AW2547RB-29P	71.12	77.01	75.18
30	AW2547RB-30P	73.66	79.55	77.72
31	AW2547RB-31P	76.20	82.09	80.26
32	AW2547RB-32P	78.74	84.63	82.80

Connectors Expert Around You

2.54mm Pitch 90° box header connector

WAFER

- Part NO.:AW2547RB-2xNP
- Material:Pin:Brass/Gold over Nickel
- Insulator:PBT15%GF,UL94V-0
- Mates with:AH2547J series Housing
- Color:Black



Ordering Information & Dimensions:

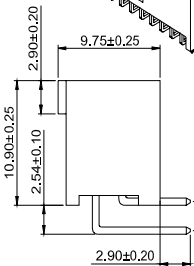
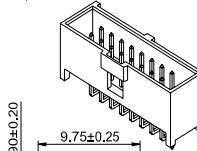
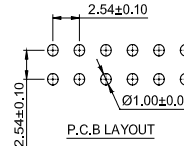
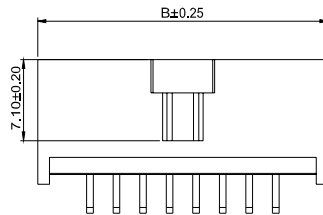
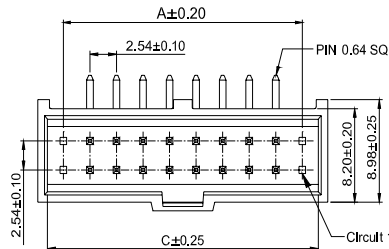
Poles	Part No.	Dimensions (mm)		
		A	B	C
06	AW2547RB-2x03P	5.08	9.96	8.12
08	AW2547RB-2x04P	7.62	12.50	10.66
10	AW2547RB-2x05P	10.16	15.04	13.20
12	AW2547RB-2x06P	12.70	17.58	15.74
14	AW2547RB-2x07P	15.24	20.12	18.28
16	AW2547RB-2x08P	17.78	22.66	20.82
18	AW2547RB-2x09P	20.32	25.20	23.36
20	AW2547RB-2x10P	22.86	27.74	25.90
22	AW2547RB-2x11P	25.40	30.28	28.44
24	AW2547RB-2x12P	27.94	32.82	30.98
26	AW2547RB-2x13P	30.48	35.36	33.52
28	AW2547RB-2x14P	33.02	37.90	36.06
30	AW2547RB-2x15P	35.56	40.44	38.60
32	AW2547RB-2x16P	38.10	42.98	41.14
34	AW2547RB-2x17P	40.64	45.52	43.68
36	AW2547RB-2x18P	43.18	48.06	46.22
38	AW2547RB-2x19P	45.72	50.60	48.76
40	AW2547RB-2x20P	48.26	53.14	51.30
42	AW2547RB-2x21P	50.80	55.68	53.84
44	AW2547RB-2x22P	53.34	58.22	56.38
46	AW2547RB-2x23P	55.88	60.76	58.92
48	AW2547RB-2x24P	58.42	63.30	61.46
50	AW2547RB-2x25P	60.96	65.84	64.00
52	AW2547RB-2x26P	63.50	68.38	66.54
54	AW2547RB-2x27P	66.04	70.92	69.08
56	AW2547RB-2x28P	68.58	73.46	71.62
58	AW2547RB-2x29P	71.12	76.00	74.16
60	AW2547RB-2x30P	73.66	78.54	76.70
62	AW2547RB-2x31P	76.20	81.08	79.24
64	AW2547RB-2x32P	78.74	83.62	81.78

Wire to Board

2.54mm Pitch 90° box header connector

WAFER

- Part NO.:AW2547RB-2xNP-A
- Material:Pin:Brass/Gold over Nickel
- Insulator:PBT15%GF,UL94V-0
- Mates with:AH2547J series Housing
- Color:Black



Ordering Information & Dimensions:

Poles	Part No.	Dimensions (mm)		
		A	B	C
06	AW2547RB-2x03P-A	5.08	15.04	13.20
08	AW2547RB-2x04P-A	7.62	17.58	15.74
10	AW2547RB-2x05P-A	10.16	20.12	18.28
12	AW2547RB-2x06P-A	12.70	22.66	20.82
14	AW2547RB-2x07P-A	15.24	25.20	23.36
16	AW2547RB-2x08P-A	17.78	27.74	25.90
18	AW2547RB-2x09P-A	20.32	30.28	28.44
20	AW2547RB-2x10P-A	22.86	32.82	30.98
22	AW2547RB-2x11P-A	25.40	35.36	33.52
24	AW2547RB-2x12P-A	27.94	37.90	36.06
26	AW2547RB-2x13P-A	30.48	40.44	38.60
28	AW2547RB-2x14P-A	33.02	42.98	41.14
30	AW2547RB-2x15P-A	35.56	45.52	43.68
32	AW2547RB-2x16P-A	38.10	48.06	46.22
34	AW2547RB-2x17P-A	40.64	50.60	48.76
36	AW2547RB-2x18P-A	43.18	53.14	51.30
38	AW2547RB-2x19P-A	45.72	55.68	53.84
40	AW2547RB-2x20P-A	48.26	58.22	56.38
42	AW2547RB-2x21P-A	50.80	60.76	58.92
44	AW2547RB-2x22P-A	53.34	63.30	61.46
46	AW2547RB-2x23P-A	55.88	65.84	64.00
48	AW2547RB-2x24P-A	58.42	68.38	66.54
50	AW2547RB-2x25P-A	60.96	70.92	69.08
52	AW2547RB-2x26P-A	63.50	73.46	71.62
54	AW2547RB-2x27P-A	66.04	76.00	74.16
56	AW2547RB-2x28P-A	68.58	78.54	76.70
58	AW2547RB-2x29P-A	71.12	81.08	79.24
60	AW2547RB-2x30P-A	73.66	83.62	81.78
62	AW2547RB-2x31P-A	76.20	86.16	84.32
64	AW2547RB-2x32P-A	78.74	88.70	86.86