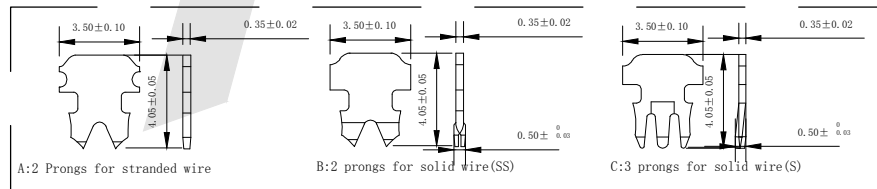
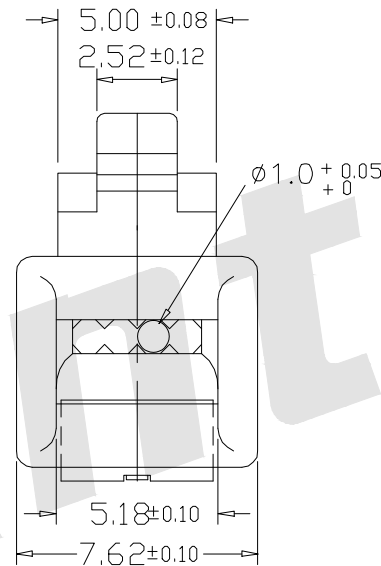
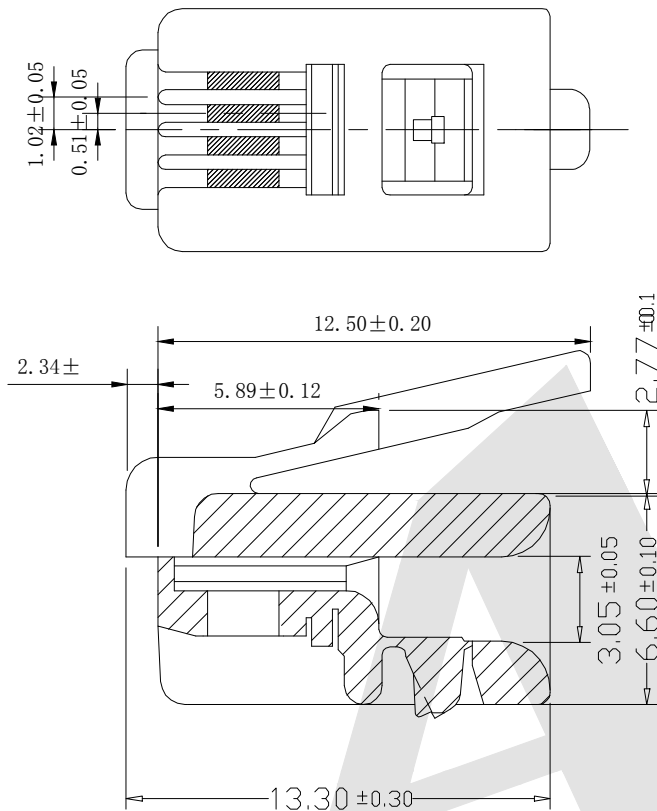


HSF



FEATURES:

1 Electrical Test:

- A. 250V AC max at 2 amps.
- B. Dielectric with standing 500volts AC.
- C. Insulation Resistance: 500 megaohms.
- D. Termination Resistance: 35megaohms.

2 Mechanical:

- A. Cable-to-Plug tensile strength-20LBs(89N)min.
- B. Durability: 500 mating cycles.

Available for 24 or 26 AWG Wire

Ordering Code:

ATRP4P4C - X - X - X - 002

1 ○ ② ③ ④ ⑤

1. Series:

2. Housing Material:

- A: UL 94V-0
- B: UL 94V-2

3. Contact Type:

- A: 2 Prongs for stranded wire
- B: 2 prongs for solid wire (SS)
- C: 3 prongs for solid wire (S)

4. Gold plating :

- A: 1u" B: 3u"
- C: 6u" D: 15u"
- E: 30u" F: 50u"

5. Serial number:

Unless Otherwise specified tolerance  
 X. ±0.35 X.XX: ±0.20  
 X.X: ±0.25 X.XXX: ±0.15

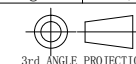
**Antenk**® ANTENK ELECTRONICS CO., LTD  
[Http://www.antenk.com](http://www.antenk.com)  
 E-mail: sales@antenk.com

|                      |                    |
|----------------------|--------------------|
| SCALE:<br>As Shown   | UNIT:<br>mm        |
| DRAW<br>Wu Feng Rong | DATE<br>16/09/2019 |
| CHECK<br>BobYang     | DATE<br>16/09/2019 |

TITLE:  
Plug 4P4C Serial unshielded Type

DRAWING NO: ATRP4P4C-XXX-002

PRODUCT NO: ATRP4P4C-XXX-002



| REV | DESCRIPTION | DATE |
|-----|-------------|------|
| 1   |             |      |
| 2   |             |      |
| 3   |             |      |
| 4   |             |      |
| 5   |             |      |