

SPECIFICATIONS:

- Voltage rating: 125V AC/DC
- Current rating: 2A AC/DC
- Withstanding Voltage: 1000V AC/minute
- Insulation resistance: 1000MΩ Min.
- Temperature range: -25°C To +85°C
- Contact resistance: 20mΩ Max.

Standards

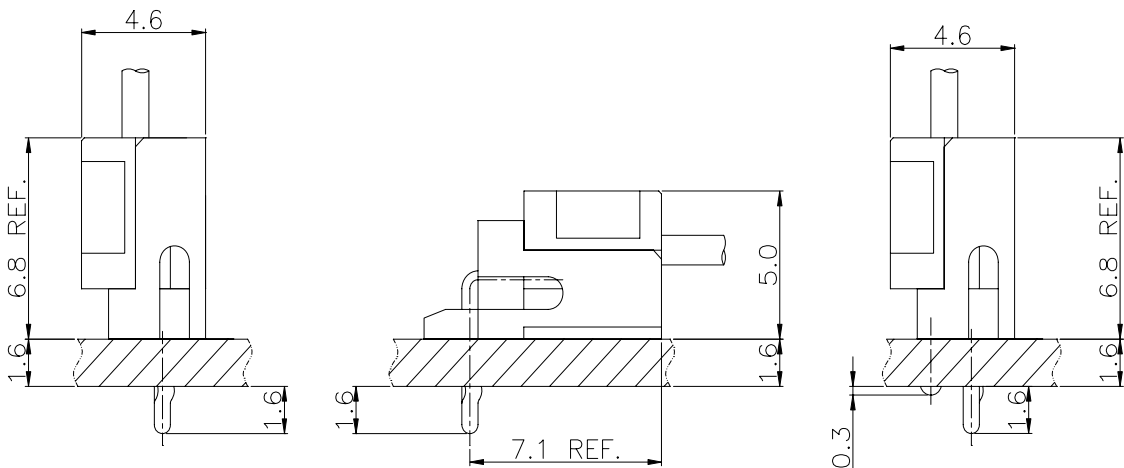
HSF



RoHS

Wire to Board

Assembly Layout



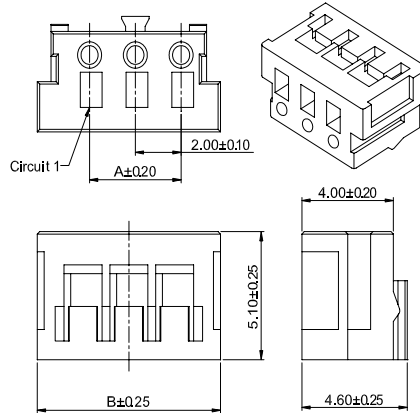
DIP TYPE

Connectors Expert Around You

2.00mm Pitch single row housing connector

HOUSING

- Part NO.:AH2007-2xNP
- Poles:02-15P
- Suitable:AT2007T series Terminal
- Mates with:AW2007 series Wafer
- Material:Nylon 66,UL94v-0
- Color:White



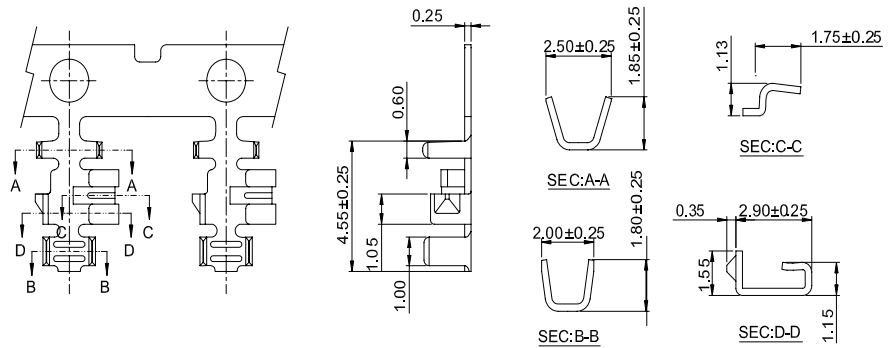
Ordering Information & Dimensions:

Poles	Part No.	Dimensions(mm)	
		A	B
2	AH2007-22P	4.00	5.90
3	AH2007-33P	4.00	7.90
4	AH2007-44P	6.00	9.90
5	AH2007-55P	8.00	11.90
6	AH2007-66P	10.00	13.90
7	AH2007-77P	12.00	15.90
8	AH2007-88P	14.00	17.90
9	AH2007-99P	16.00	19.90
10	AH2007-100	18.00	21.90
11	AH2007-11P	20.00	23.90
12	AH2007-12P	22.00	25.90
13	AH2007-13P	24.00	27.90
14	AH2007-14P	26.00	29.90
15	AH2007-15P	28.00	31.90

2.00mm Pitch crimp terminal connector

TERMINAL

- Part NO.:AT2007T-XP
- Applicable wire:AWG#22-#26
- Material:Phosphor Bronze
- Finish:Tin Plated or Gold
- Used in AH2007 series Housing



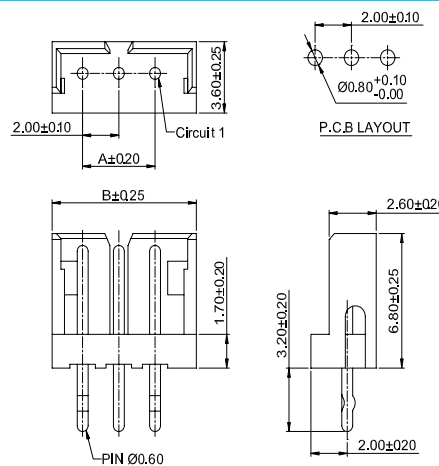
Ordering information & Specifications:

Part NO.	Wire Range	Insulation O.D.	Material	Finish	Qty/reel
AT2007T-TP	AWG#22-#26	1.50mm(max)	Phosphor Bronze	Tin over Nickel	10,000 PCS
AT2007T-GP	AWG#22-#26	1.50mm(max)	Phosphor Bronze	Gold over Nickel	10,000 PCS

2.00mm Pitch 180° wafer connector

WAFER

- Part NO.:AW2007V-NP
- Material:Pin:Brass/Tin over Nickel
- Insulator:Nylon 66,UL94V-0
- Mates with:AH2007 series Housing
- Color:White



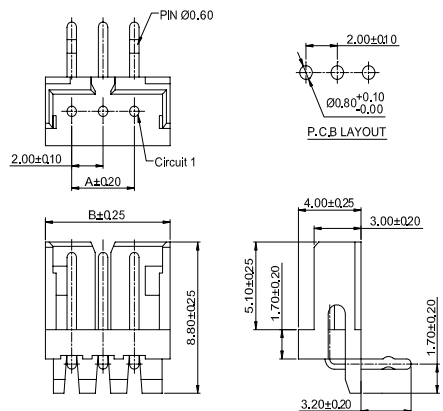
Ordering Information & Dimensions:

Poles	Part No.	Dimensions(mm)	
		A	B
2	AW2007V-02P	2.00	5.96
3	AW2007V-03P	4.00	7.96
4	AW2007V-04P	6.00	9.96
5	AW2007V-05P	8.00	11.96
6	AW2007V-06P	10.00	13.96
7	AW2007V-07P	12.00	15.96
8	AW2007V-08P	14.00	17.96
9	AW2007V-09P	16.00	19.96
10	AW2007V-10P	18.00	21.96
11	AW2007V-11P	20.00	23.96
12	AW2007V-12P	22.00	25.96
13	AW2007V-13P	24.00	27.96
14	AW2007V-14P	26.00	29.96
15	AW2007V-15P	28.00	31.96

2.00mm Pitch 90° wafer connector

WAFER

- Part NO.:AW2007R-NP
- Material:Pin:Brass/Tin over Nickel
- Insulator:Nylon 66,UL94V-0
- Mates with:AH2007 series Housing
- Color:White



Ordering Information & Dimensions:

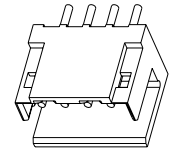
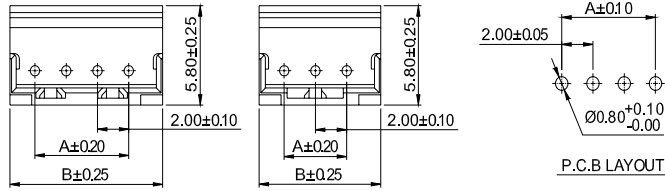
Poles	Part No.	Dimensions(mm)	
		A	B
2	AW2007R-02P	2.00	5.96
3	AW2007R-03P	4.00	7.96
4	AW2007R-04P	6.00	9.96
5	AW2007R-05P	8.00	11.96
6	AW2007R-06P	10.00	13.96
7	AW2007R-07P	12.00	15.96
8	AW2007R-08P	14.00	17.96
9	AW2007R-09P	16.00	19.96
10	AW2007R-10P	18.00	21.96
11	AW2007R-11P	20.00	23.96
12	AW2007R-12P	22.00	25.96
13	AW2007R-13P	24.00	27.96
14	AW2007R-14P	26.00	29.96
15	AW2007R-15P	28.00	31.96

Connectors Expert Around You

2.00mm Pitch 180° wafer connector

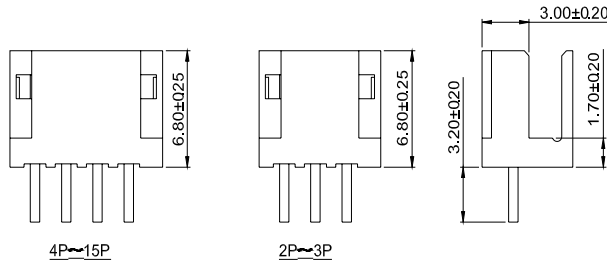
WAFER

- Part NO.:AW2007VD-NP
- Material:Pin:Brass/Tin over Nickel
- Insulator:Nylon 66,UL94V-0
- Mates with:AH2007 series Housing
- Color:White



Ordering Information & Dimensions:

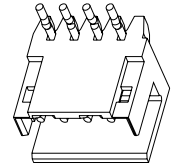
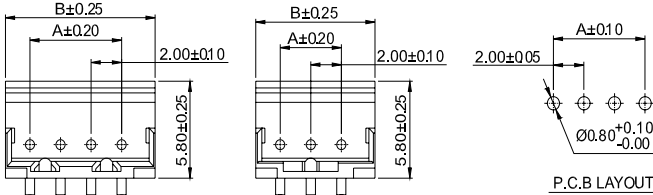
Poles	Part No.	Dimensions(mm)	
		A	B
2	AW2007VD-02P	2.00	5.80
3	AW2007VD-03P	4.00	7.80
4	AW2007VD-04P	6.00	9.80
5	AW2007VD-05P	8.00	11.80
6	AW2007VD-06P	10.00	13.80
7	AW2007VD-07P	12.00	15.80
8	AW2007VD-08P	14.00	17.80
9	AW2007VD-09P	16.00	19.80
10	AW2007VD-10P	18.00	21.80
11	AW2007VD-11P	20.00	23.80
12	AW2007VD-12P	22.00	25.80
13	AW2007VD-13P	24.00	27.80
14	AW2007VD-14P	26.00	29.80
15	AW2007VD-15P	28.00	31.80



2.00mm Pitch 90° wafer connector

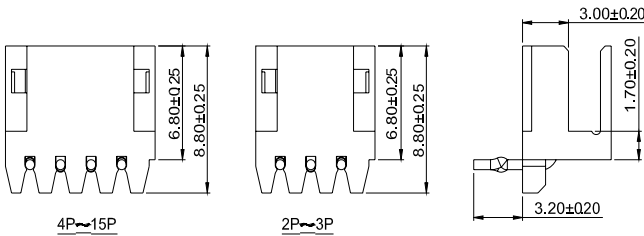
WAFER

- Part NO.:AW2007RD-NP
- Material:Pin:Brass/Tin over Nickel
- Insulator:Nylon 66,UL94V-0
- Mates with:AH2007 series Housing
- Color:White



Ordering Information & Dimensions:

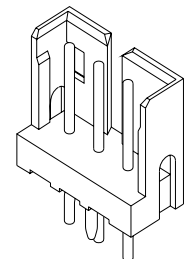
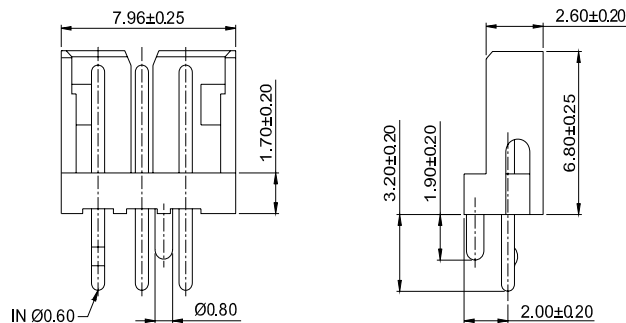
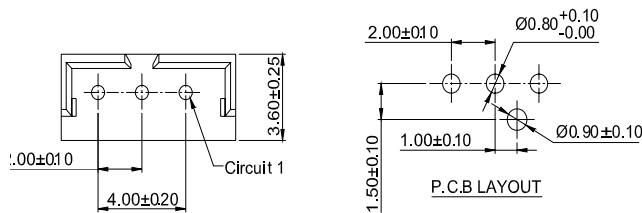
Poles	Part No.	Dimensions(mm)	
		A	B
2	AW2007RD-02P	2.00	5.80
3	AW2007RD-03P	4.00	7.80
4	AW2007RD-04P	6.00	9.80
5	AW2007RD-05P	8.00	11.80
6	AW2007RD-06P	10.00	13.80
7	AW2007RD-07P	12.00	15.80
8	AW2007RD-08P	14.00	17.80
9	AW2007RD-09P	16.00	19.80
10	AW2007RD-10P	18.00	21.80
11	AW2007RD-11P	20.00	23.80
12	AW2007RD-12P	22.00	25.80
13	AW2007RD-13P	24.00	27.80
14	AW2007RD-14P	26.00	29.80
15	AW2007RD-15P	28.00	31.80



2.00mm Pitch 180° wafer with foot connector

WAFER

- Part NO.:AW2007V-F-3P
- Material:Pin:Brass/Tin over Nickel
- Insulator:Nylon 66,UL94V-0
- Mates with:AH2007 series Housing
- Color:White



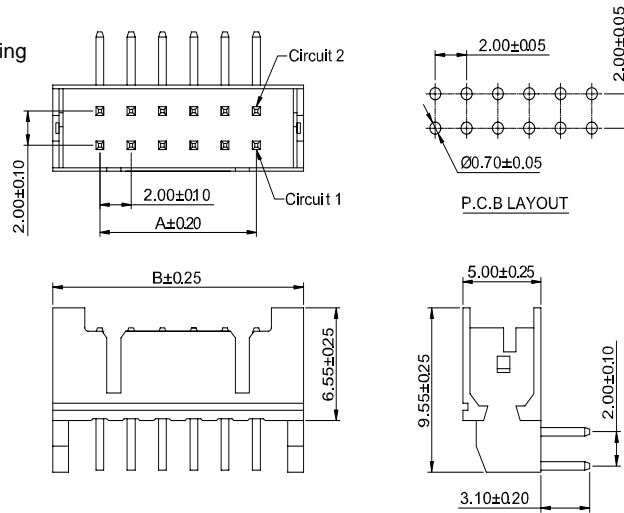
Wire to Board

Connectors Expert Around You

2.00mm Pitch 90° dual row wafer connector

WAFER

- Part NO.:AW2006RA-2xNP
- Material:Pin:Brass/Tin over Nickel
- Insulator:Nylon 66,UL94V-0
- Mates with:AH2006A series Dual Row Housing
- Color:Grey



Ordering Information & Dimensions:

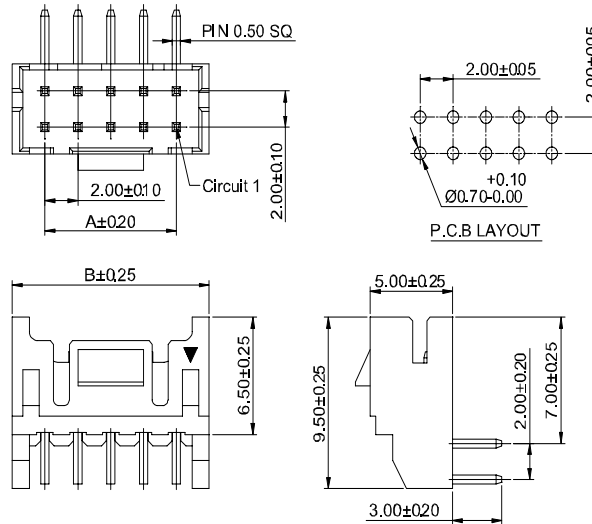
Poles	Part No.	Dimensions (mm)	
		A	B
4	AW2006RA-2x02P	2.00	8.00
6	AW2006RA-2x03P	4.00	10.00
8	AW2006RA-2x04P	6.00	12.00
10	AW2006RA-2x05P	8.00	14.00
12	AW2006RA-2x06P	10.00	16.00
14	AW2006RA-2x07P	12.00	18.00
16	AW2006RA-2x08P	14.00	20.00
18	AW2006RA-2x09P	16.00	22.00
20	AW2006RA-2x10P	18.00	24.00
22	AW2006RA-2x11P	20.00	26.00
24	AW2006RA-2x12P	22.00	28.00
26	AW2006RA-2x13P	24.00	30.00
28	AW2006RA-2x14P	26.00	32.00
30	AW2006RA-2x15P	28.00	34.00
32	AW2006RA-2x16P	30.00	36.00
34	AW2006RA-2x17P	32.00	38.00
36	AW2006RA-2x18P	34.00	40.00
38	AW2006RA-2x19P	36.00	42.00
40	AW2006RA-2x20P	38.00	44.00

Wire To Board

2.00mm Pitch 90° dual row wafer connector

WAFER

- Part NO.:AW2006RB-2xNP
- Material:Pin:Brass/Tin over Nickel
- Insulator:Nylon 66,UL94V-0
- Mates with:AH2006B series Dual Row Housing
- Color:Grey



Ordering Information & Dimensions:

Poles	Part No.	Dimensions (mm)	
		A	B
4	AW2006RB-2x02P	2.00	8.00
6	AW2006RB-2x03P	4.00	10.00
8	AW2006RB-2x04P	6.00	12.00
10	AW2006RB-2x05P	8.00	14.00
12	AW2006RB-2x06P	10.00	16.00
14	AW2006RB-2x07P	12.00	18.00
16	AW2006RB-2x08P	14.00	20.00
18	AW2006RB-2x09P	16.00	22.00
20	AW2006RB-2x10P	18.00	24.00
22	AW2006RB-2x11P	20.00	26.00
24	AW2006RB-2x12P	22.00	28.00
26	AW2006RB-2x13P	24.00	30.00
28	AW2006RB-2x14P	26.00	32.00
30	AW2006RB-2x15P	28.00	34.00
32	AW2006RB-2x16P	30.00	36.00
34	AW2006RB-2x17P	32.00	38.00
36	AW2006RB-2x18P	34.00	40.00
38	AW2006RB-2x19P	36.00	42.00
40	AW2006RB-2x20P	38.00	44.00