

## SPECIFICATIONS:

- Voltage rating: 250V AC/DC
- Current rating: 3A AC/DC
- Withstanding Voltage: 1000V AC/minute
- Insulation resistance: 1000MΩ Min.
- Temperature range: -25°C To +85°C
- Contact resistance: 20mΩ Max.

## Standards

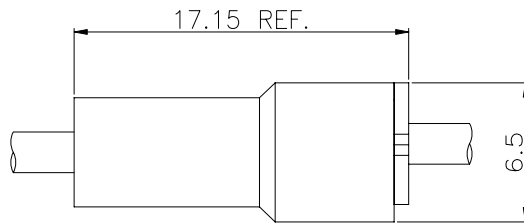
HSF



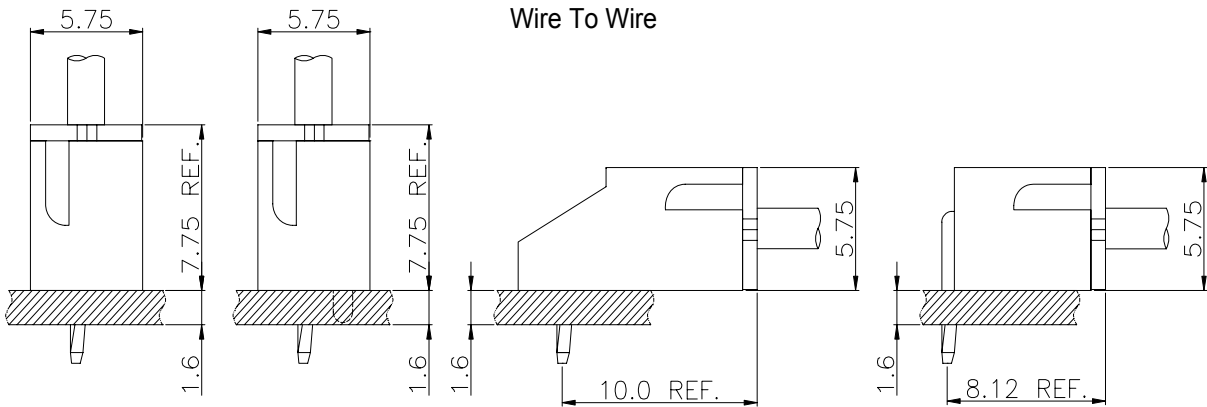
RoHS

Wire to Board

## Assembly Layout



Wire To Wire



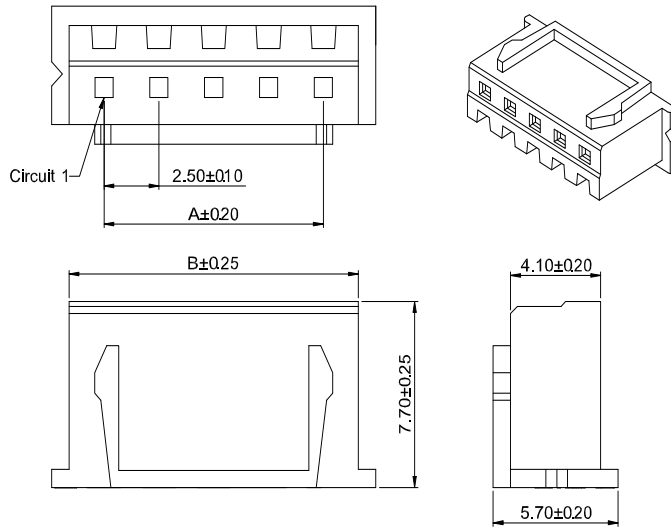
DIP TYPE

Connectors Expert Around You

## 2.50mm Pitch housing connector

### HOUSING

- Part NO.:AH2501-xP
- Suitable:AT2501T series Terminal
- Mates with:AW2501 series Wafer or AH2501MB series Housing
- Material:Nylon 66,UL94V-0
- Color:White



Ordering Information & Dimensions:

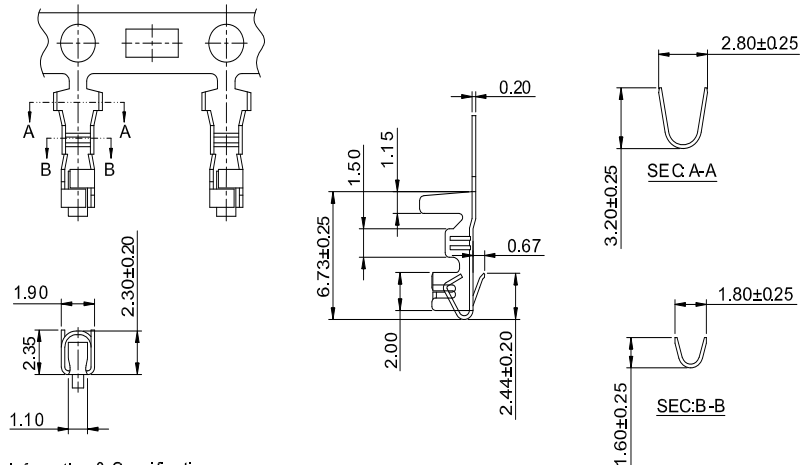
PART NO.	Dimensions	
	A	B
AH2501-2P	2.50	5.70
AH2501-3P	5.00	8.20
AH2501-4P	7.50	10.70
AH2501-5P	10.00	13.20
AH2501-6P	12.50	15.70
AH2501-7P	15.00	18.20
AH2501-8P	17.50	20.70
AH2501-9P	20.00	23.20
AH2501-10P	22.50	25.70
AH2501-11P	25.00	28.20
AH2501-12P	27.50	30.70
AH2501-13P	30.00	33.20
AH2501-14P	32.50	35.70
AH2501-15P	35.00	38.20
AH2501-16P	37.50	40.70
AH2501-17P	40.00	43.20
AH2501-18P	42.50	45.70
AH2501-19P	45.00	48.20
AH2501-20P	47.50	50.70

Wire to Board

## 2.50mm Pitch crimp terminal connector

### TERMINAL

- Part NO.:AT2501T-xP
- Applicable wire:AWG#22-#28
- Material:Phosphor Bronze
- Finish:Tin Plated or Gold
- Used in AH2501 series Housing



Ordering information & Specifications:

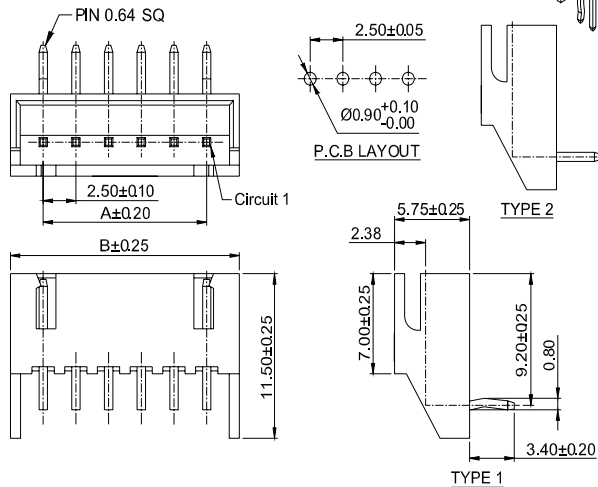
Part NO.	Wire Range	Insulation O.D.	Material	Finish	Qty/reel
AT2501T-TP	AWG #22-#28	1.90mm(max)	Phosphor Bronze	Tin over Nickel	8,000 PCS
AT2501T-GP	AWG #22-#28	1.90mm(max)	Phosphor Bronze	Gold over Nickel	8,000 PCS

Connectors Expert Around You

## 2.5mm Pitch 90° wafer connector

WAFER

- Part NO.:AW2501R-xP
- Material:Pin:Brass/Tin over Nickel
- Insulator:Nylon 66,UL94V-0
- Mates with:AH2501 series Housing
- Color:White



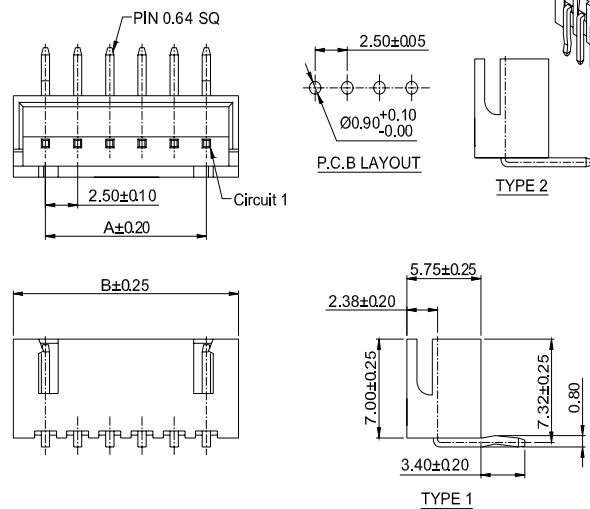
Ordering Information & Dimensions

PART NO.	Dimensions	
	A	B
AW2501R-2P	2.50	7.50
AW2501R-3P	5.00	10.00
AW2501R-4P	7.50	12.50
AW2501R-5P	10.00	15.00
AW2501R-6P	12.50	17.50
AW2501R-7P	15.00	20.00
AW2501R-8P	17.50	22.50
AW2501R-9P	20.00	25.00
AW2501R-10P	22.50	27.50
AW2501R-11P	25.00	30.00
AW2501R-12P	27.50	32.50
AW2501R-13P	30.00	35.00
AW2501R-14P	32.50	37.50
AW2501R-15P	35.00	40.00
AW2501R-16P	37.50	42.50
AW2501R-17P	40.00	45.00
AW2501R-18P	42.50	47.50
AW2501R-19P	45.00	50.00
AW2501R-20P	47.50	52.50

## 2.5mm Pitch 90° wafer connector

WAFER

- Part NO.:AW2501VR-xP
- Material:Pin:Brass/Tin over Nickel
- Insulator:Nylon 66,UL94V-0
- Mates with:AH2501 series Housing
- Color:White



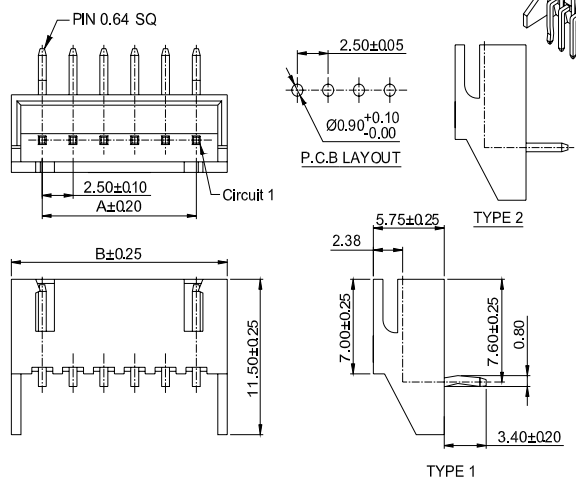
Ordering Information & Dimensions

PART NO.	Dimensions	
	A	B
AW2501VR-2P	2.50	7.50
AW2501VR-3P	5.00	10.00
AW2501VR-4P	7.50	12.50
AW2501VR-5P	10.00	15.00
AW2501VR-6P	12.50	17.50
AW2501VR-7P	15.00	20.00
AW2501VR-8P	17.50	22.50
AW2501VR-9P	20.00	25.00
AW2501VR-10P	22.50	27.50
AW2501VR-11P	25.00	30.00
AW2501VR-12P	27.50	32.50
AW2501VR-13P	30.00	35.00
AW2501VR-14P	32.50	37.50
AW2501VR-15P	35.00	40.00
AW2501VR-16P	37.50	42.50
AW2501VR-17P	40.00	45.00
AW2501VR-18P	42.50	47.50
AW2501VR-19P	45.00	50.00
AW2501VR-20P	47.50	52.50

## 2.5mm Pitch 90° wafer connector

WAFER

- Part NO.:AW2501RB-xP
- Material:Pin:Brass/Tin over Nickel
- Insulator:Nylon 66,UL94V-0
- Mates with:AH2501 series Housing
- Color:White



Ordering Information & Dimensions

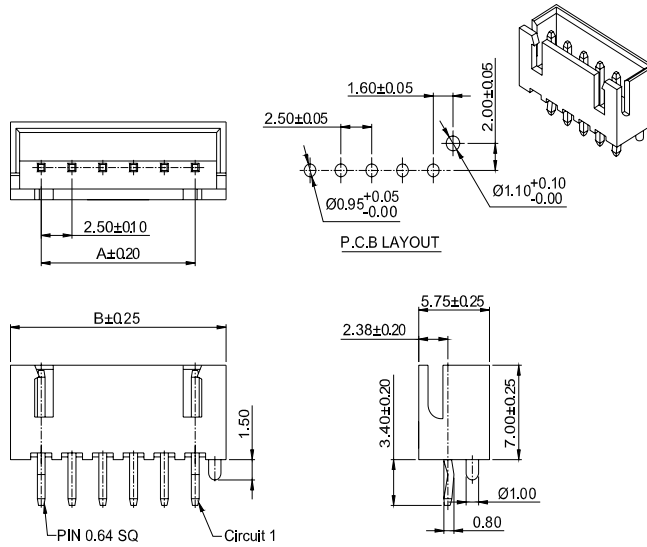
PART NO.	Dimensions	
	A	B
AW2501RB-2P	2.50	7.50
AW2501RB-3P	5.00	10.00
AW2501RB-4P	7.50	12.50
AW2501RB-5P	10.00	15.00
AW2501RB-6P	12.50	17.50
AW2501RB-7P	15.00	20.00
AW2501RB-8P	17.50	22.50
AW2501RB-9P	20.00	25.00
AW2501RB-10P	22.50	27.50
AW2501RB-11P	25.00	30.00
AW2501RB-12P	27.50	32.50
AW2501RB-13P	30.00	35.00
AW2501RB-14P	32.50	37.50
AW2501RB-15P	35.00	40.00
AW2501RB-16P	37.50	42.50
AW2501RB-17P	40.00	45.00
AW2501RB-18P	42.50	47.50
AW2501RB-19P	45.00	50.00
AW2501RB-20P	47.50	52.50

## Connectors Expert Around You

### 2.5mm Pitch 180° wafer with boss connector

WAFER

- Part NO.:AW2501V-F-xP
- Material:Pin:Brass/Tin over Nickel
- Insulator:Nylon 66,UL94V-0
- Mates with:AH2501 series Housing
- Color:White



Ordering Information & Dimensions

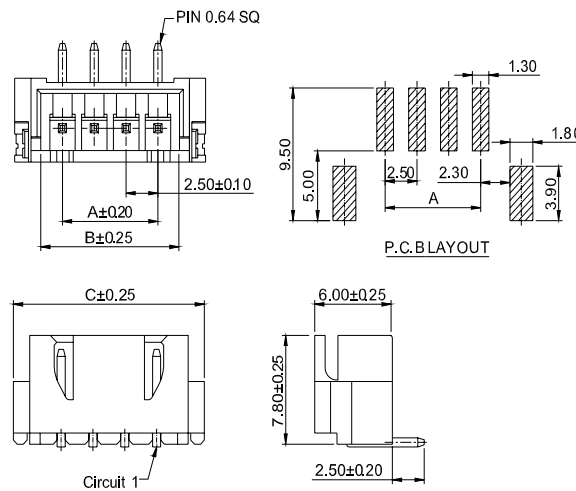
PART NO.	Dimensions	
	A	B
AW2501V-F-2P	2.50	7.50
AW2501V-F-3P	5.00	10.00
AW2501V-F-4P	7.50	12.50
AW2501V-F-5P	10.00	15.00
AW2501V-F-6P	12.50	17.50
AW2501V-F-7P	15.00	20.00
AW2501V-F-8P	17.50	22.50
AW2501V-F-9P	20.00	25.00
AW2501V-F-10P	22.50	27.50
AW2501V-F-11P	25.00	30.00
AW2501V-F-12P	27.50	32.50
AW2501V-F-13P	30.00	35.00
AW2501V-F-14P	32.50	37.50
AW2501V-F-15P	35.00	40.00
AW2501V-F-16P	37.50	42.50
AW2501V-F-17P	40.00	45.00
AW2501V-F-18P	42.50	47.50
AW2501V-F-19P	45.00	50.00
AW2501V-F-20P	47.50	52.50

Wire to Board

### 2.50mm Pitch 180° wafer-smt connector

WAFER

- Part NO.:AW2501V-S-xP
- Material:Pin:Brass/Tin over Nickel
- Insulator:Nylon 66,UL94V-0
- Mates with:AH2501 series Housing
- Color:White



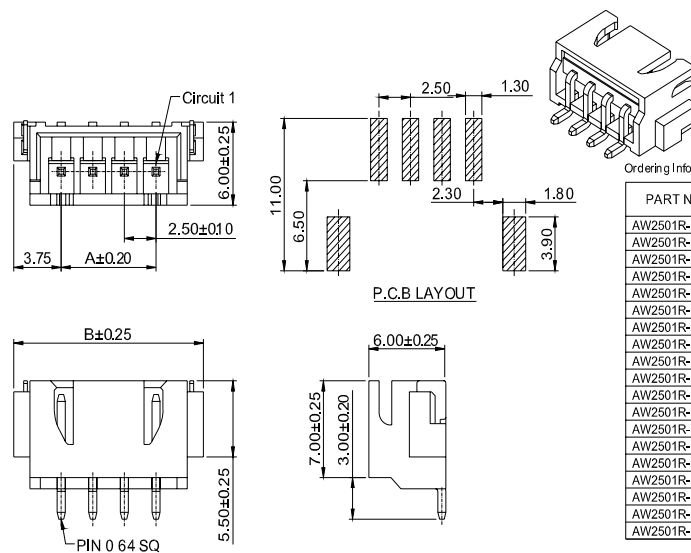
Ordering Information & Dimensions:

PART NO.	Dimensions		
	A	B	C
AW2501V-S-2P	2.50	5.90	10.00
AW2501V-S-3P	5.00	8.40	12.50
AW2501V-S-4P	7.50	10.90	15.00
AW2501V-S-5P	10.00	13.40	17.50
AW2501V-S-6P	12.50	15.90	20.00
AW2501V-S-7P	15.00	18.40	22.50
AW2501V-S-8P	17.50	20.90	25.00
AW2501V-S-9P	20.00	23.40	27.50
AW2501V-S-10P	22.50	25.90	30.00
AW2501V-S-11P	25.00	28.40	32.50
AW2501V-S-12P	27.50	30.90	35.00
AW2501V-S-13P	30.00	33.40	37.50
AW2501V-S-14P	32.50	35.90	40.00
AW2501V-S-15P	35.00	38.40	42.50
AW2501V-S-16P	37.50	40.90	45.00

### 2.50mm Pitch 90° wafer-smt connector

WAFER

- Part NO.:AW2501R-S-xP
- Material:Pin:Brass/Tin over Nickel
- Insulator:Nylon 66,UL94V-0
- Mates with:AH2501 series Housing
- Color:White



Ordering Information & Dimensions:

PART NO.	Dimensions	
	A	B
AW2501R-S-2P	2.50	10.00
AW2501R-S-3P	5.00	12.50
AW2501R-S-4P	7.50	15.00
AW2501R-S-5P	10.00	17.50
AW2501R-S-6P	12.50	20.00
AW2501R-S-7P	15.00	22.50
AW2501R-S-8P	17.50	25.00
AW2501R-S-9P	20.00	27.50
AW2501R-S-10P	22.50	30.00
AW2501R-S-11P	25.00	32.50
AW2501R-S-12P	27.50	35.00
AW2501R-S-13P	30.00	37.50
AW2501R-S-14P	32.50	40.00
AW2501R-S-15P	35.00	42.50
AW2501R-S-16P	37.50	45.00
AW2501R-S-17P	40.00	47.50
AW2501R-S-18P	42.50	50.00
AW2501R-S-19P	45.00	52.50
AW2501R-S-20P	47.50	55.00

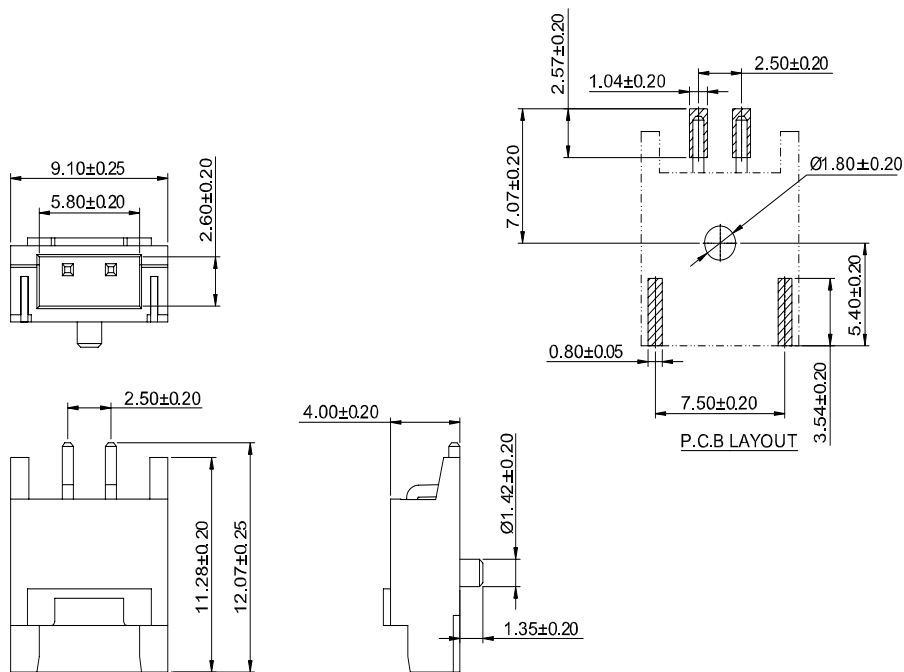


Connectors Expert Around You

## 2.50mm Pitch 90° wafer-smt connector

WAFER

- Part NO.:AW2501RA-S-F-2P
- Material:Pin:Brass/Tin over Nickel
- Insulator:Nylon 66,UL94V-0
- Mates with:AH2501 series Housing
- Color:Ivory

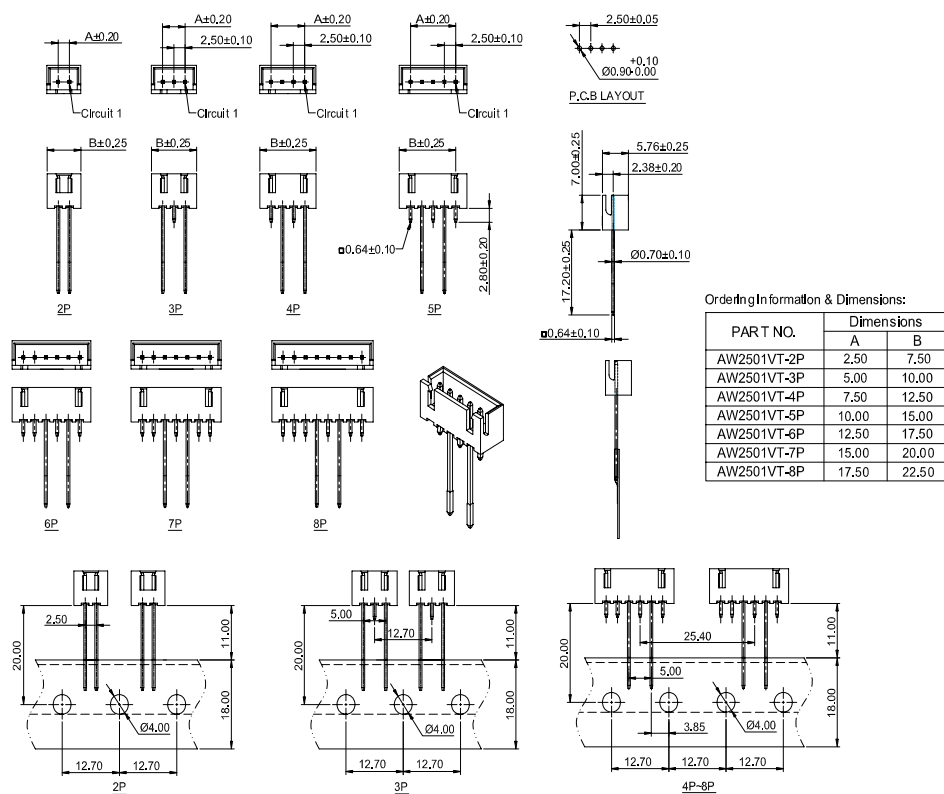


Wire to Board

## 2.50mm Pitch 180° wafer on radial-tape connector

WAFER

- Part NO.:AW2501VT-xP
- Material:Pin:Brass/Tin over Nickel
- Insulator:Nylon 66,UL94V-0
- Mates with:AH2501 series Housing
- Color:Ivory

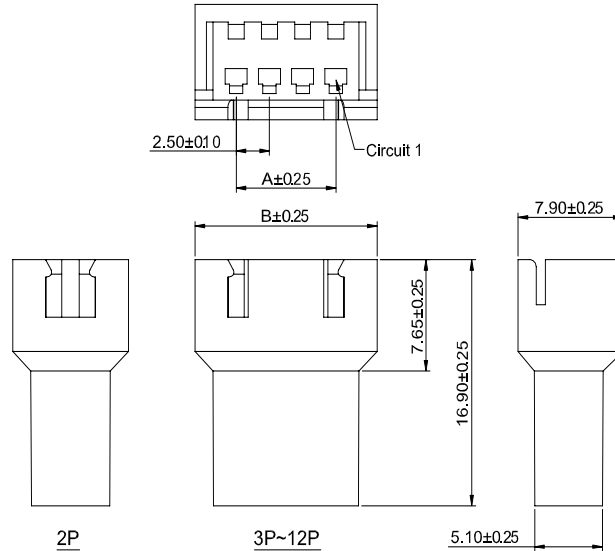


Connectors Expert Around You

## 2.50mm Pitch housing connector

### HOUSING

- Part NO.:AH2501MB-xP
- Suitable:AT2504MT series Terminal
- Mates with: AH2501 series Housing
- Material:Nylon 66,UL94V-0
- Color:White



### Ordering Information & Dimensions:

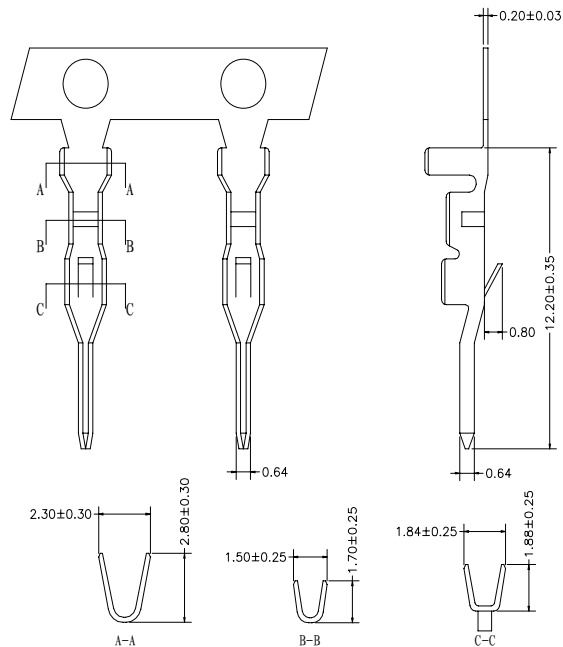
PART NO.	Dimensions	
	A	B
AH2501MB-2P	2.50	8.70
AH2501MB-3P	5.00	11.20
AH2501MB-4P	7.50	13.70
AH2501MB-5P	10.00	16.20
AH2501MB-6P	12.50	18.70
AH2501MB-7P	15.00	21.20
AH2501MB-8P	17.50	23.70
AH2501MB-9P	20.00	26.20
AH2501MB-10P	22.50	28.70
AH2501MB-11P	25.00	31.20
AH2501MB-12P	27.50	33.70
AH2501MB-13P	30.00	36.20
AH2501MB-14P	32.50	38.70
AH2501MB-15P	35.00	41.20
AH2501MB-16P	37.50	43.70
AH2501MB-17P	40.00	46.20
AH2501MB-18P	42.50	48.70
AH2501MB-19P	45.00	51.20
AH2501MB-20P	47.50	53.70

Wire to Board

## 2.50mm Pitch crimp terminal connector

### TERMINAL

- Part NO.:AT2501MT-xP
- Applicable wire:AWG#22-#28
- Material:Phosphor Bronze
- Finish:Tin Plated or Gold
- Used in AH2501 series Housing



### Ordering information & Specifications:

Part NO.	Wire Range	Insulation O.D.	Material	Finish	Qty/reel
AT2501MT-TP	AWG#22-#28	1.90mm(max)	Phosphor Bronze	Tin over Nickel	8,000 PCS
AT2501MT-GP	AWG#22-#28	1.90mm(max)	Phosphor Bronze	Gold over Nickel	8,000 PCS