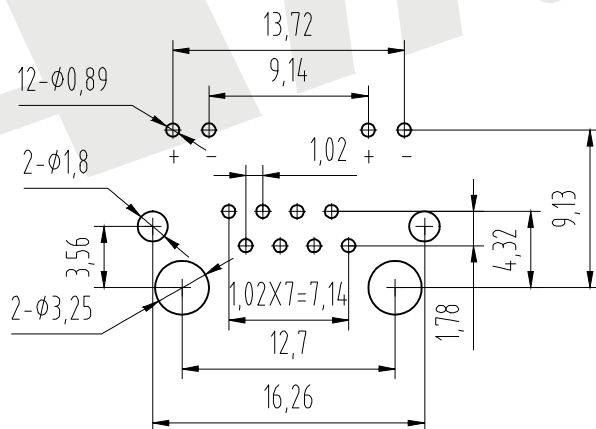
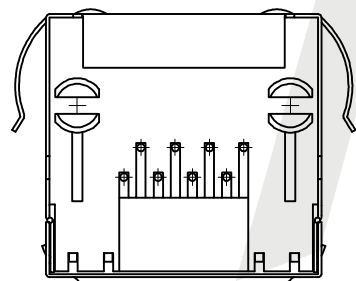
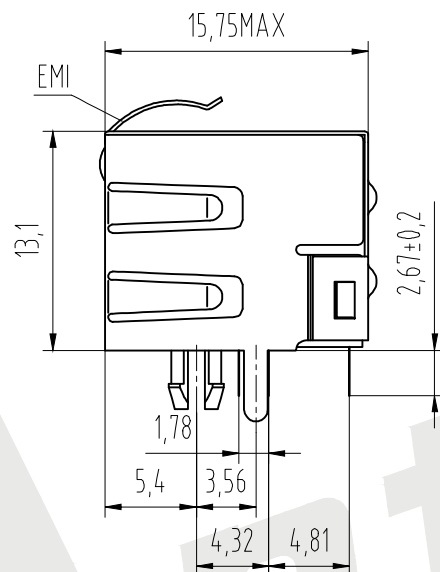
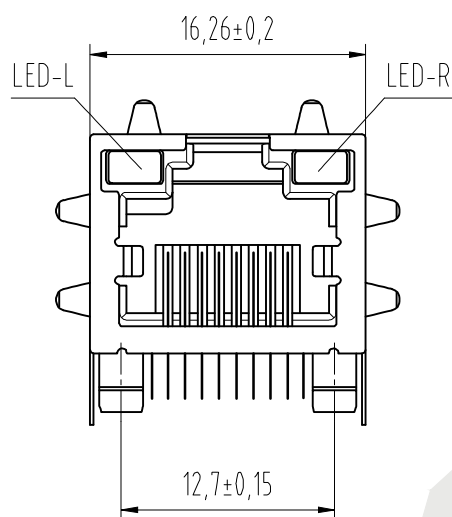


HSF



PC Board Layout
Component Side Shown

NOTES:

MATERIAL:

1. HOUSING MATERIAL:GLASS FILLED POYESTER UL94V-0.
2. CONTACT MATERIAL:PHOSPHOR BRONZE $t=0.3\text{mm}$
3. PLATING:SELECTING GOLD PLATING $1\mu\sim 50\mu$ OVER NICKEL IN CONTACT AREA. 150μ TIN PLATIN. OVER NICKEL IN SOLDER AREA
4. SHIELD:0.2mm THICKNESS COPPER WITH NICKEL PLATE ELECTRICAL
1. VOLTAGE RATING:125VAC RMS
2. CURRENT RATING:1.5AMP
3. CONTACT RESISTANCE:30MILLIOHMS MAX
4. INSULATION RESISTANCE 500MEGOHMS MIN @500V DC
5. DIELECTRIC WITHSTANDING RESISTANCE :1000V AC RMS 50Hz. 1MIN

MECHANICAL

1. DURRABILITY:750 CYCLES MIN
2. PCB RETENTTON PRB-SOLDER:1 LB MIN REVRONMENTAL
1. STORAGE:-40° C TO 85° C
2. OPERATION:0° C TO 70° C

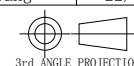
Order code:

ATRJ5622 - 8P - 8C - X - C - A - B
① ② ③ ④ ⑤ ⑥ ⑦

- ① SERIES NO:
- ② NUMBER OF POSITIONS (10P, 8P, 6P, 4P)
- ③ NUMBER OF CONTACTS (10C, 8C, 6C, 4C)
- ④ Contact Plating
G0:Gold flash
G1: 3U" Gold
G2: 5U" Gold
G3:10U" Gold
G4:15U" Gold
G5:30U" Gold
SN:Tin
- ⑤ Shield
A:W/O Shield
B:Half Shield
C:Shield W/Eml
D:Shield W/O Eml
- ⑥ Ports
A:1X1P G:2X1P
B:1X2P H:2X2P
C:1X4P I:2X3P
D:1X5P J:2X4P
E:1X6P K:2X6P
F:1X8P L:2X8P
- ⑦ LED STYLE:
A:W/O LED
B:LEFT YELLOW/RIGHT GREEN
C:LEFT GREEN/RIGHT YELLOW
D:LEFT RED/RIGHT GREEN
E:LEFT GREEN/RIGHT RED
F:LEFT YELLOW/RIGHT YELLOW
G:LEFT GREEN/RIGHT GREEN

Unless Otherwise specified tolerance
X. ±0.35 X.XX: ±0.20
X.X: ±0.25 X.XXX: ±0.15

SCALE: As Shown UNIT: mm
DRAW Wu Feng Rong DATE 22/03/2018
CHECK BobYang DATE 22/03/2018



Antenk® ANTENK ELECTRONICS CO.,LTD
Http://www.antenk.com
E-mail:sales@antenk.com

TITLE: RJ45 Jack side entry, Full shielded with LED,with EMI

DRAWING NO: ATRJ5622-8P8C-X-C-A-B

PRODUCT NO: ATRJ5622-8P8C-X-C-A-B

REV	DESCRIPTION	DATE
1		
2		
3		
4		
5		