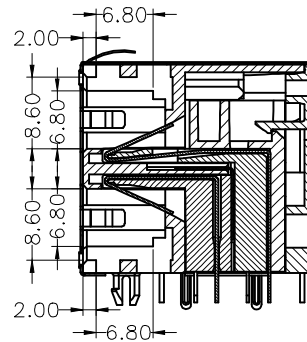
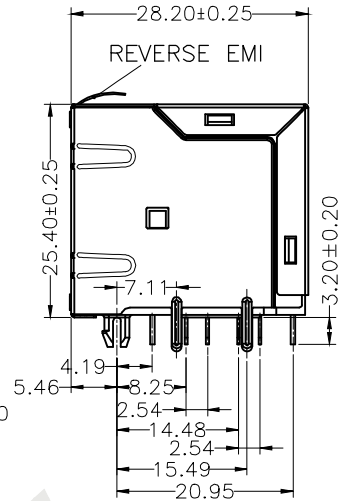
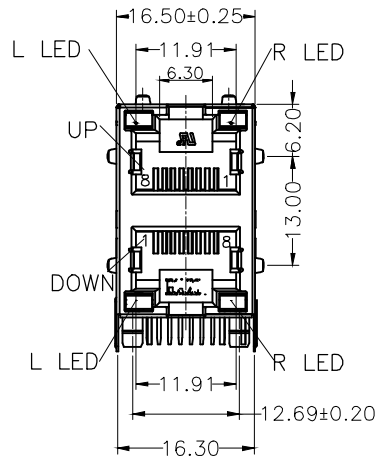


HSF



**SPECIFICATIONS:**

**1. Material:**

- 1.1 Housing: Glass Filled Polyester UL94V-0
- 1.2 Contact: Phosphor Bronze, Ø0.46mm
- 1.3 Plating: Gold Plating Over Nickel

**2. Electrical Characteristic:**

- 2.1 Voltage Rating: 125 VAC RMS
- 2.2 Current Rating: 1.5 AMP
- 2.3 Contact Resistance: 45 Milliohms Max
- 2.4 Insulation Resistance: 1000 Megohms Min@500V DC
- 2.5 Dielectric Withstanding Resistance: 1000V AC RMS 60HZ, 1 Min

**3. Mechanical Characteristic:**

- 3.1 Durability: 750 Cycles Min
- 3.2 PCB Retention PRE-Solder: 1 LB Min

**4. Environmental:**

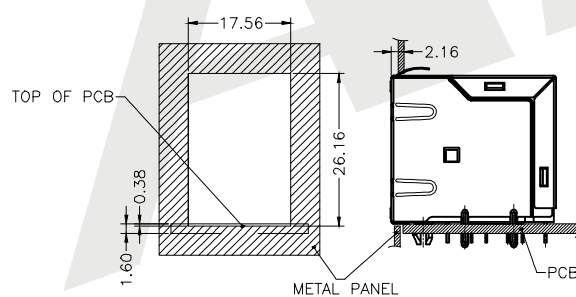
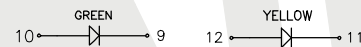
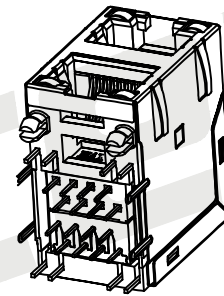
- 4.1 Storage: -40° C To 85° C
- 4.2 Operation: 0° C To 70° C

Mates With Modular Plug Conforming To FCC Part 68, Subpart F

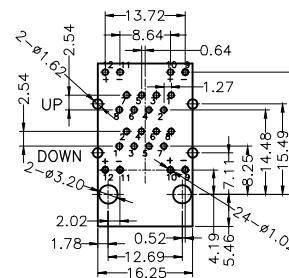
ATRJ5922 - 8P - 8C - X - C2 - G - B



- ① SERIES NO:
- ② NUMBER OF POSITIONS (10P, 8P, 6P, 4P)
- ③ NUMBER OF CONTACTS (10C, 8C, 6C, 4C)
- ④ Contact Plating
- G0: Gold flash
- G1: 3U" Gold
- G2: 5U" Gold
- G3: 10U" Gold
- G4: 15U" Gold
- G5: 30U" Gold
- SN: Tin
- ⑤ Shield
- A: W/O Shield
- B: Half Shield
- C: Shield W/Eml
- D: Shield W/O Eml
- ⑥ Ports
- A: 1X1P
- B: 1X2P
- C: 1X4P
- D: 1X5P
- E: 1X6P
- F: 1X8P
- G: 2X1P
- H: 2X2P
- I: 2X3P
- J: 2X4P
- K: 2X6P
- L: 2X8P
- ⑦ LED STYLE:
- A: W/O LED
- B: LEFT YELLOW/RIGHT GREEN
- C: LEFT GREEN/RIGHT YELLOW
- D: LEFT RED/RIGHT GREEN
- E: LEFT GREEN/RIGHT RED
- F: LEFT YELLOW/RIGHT YELLOW
- G: LEFT GREEN/RIGHT GREEN



SUGGESTED PANEL CUTOUT DIM



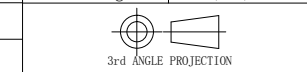
PC Board Layout

Unless Otherwise specified tolerance	
X. ±0.35	X.XX: ±0.20
X.X: ±0.25	X.XXX: ±0.15

**Antenk**® ANTENK ELECTRONICS CO., LTD  
 Http://www.antenk.com  
 E-mail:sales@antenk.com

SCALE: As Shown	UNIT: mm
DRAW Wu Feng Rong	DATE 22/03/2018
CHECK BobYang	DATE 22/03/2018

TITLE:  
RJ45 Jack side entry 2X1P  
Shielded with LED & EMI



DRAWING NO: ATRJ5922-8P8C-X-C2-G-B  
 PRODUCT NO: ATRJ5922-8P8C-X-C2-G-B

REV	DESCRIPTION	DATE
1		
2		
3		
4		
5		