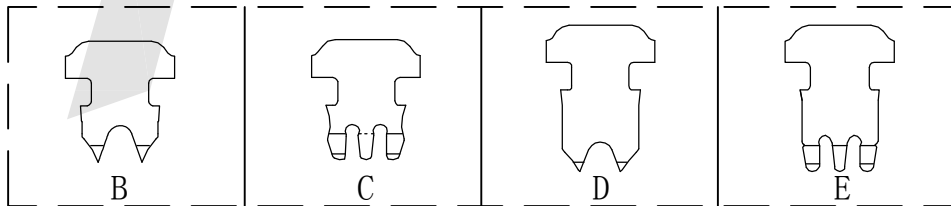
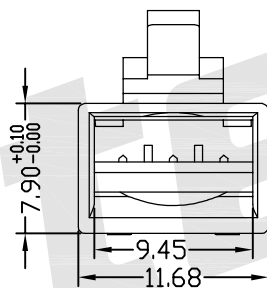
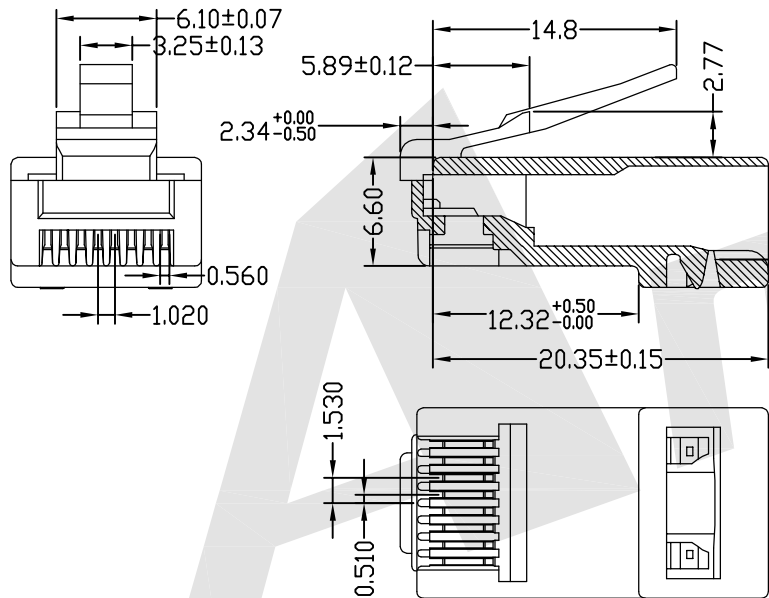
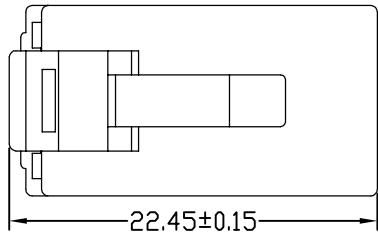


HSF



CONTACT TYPE:

SPECIFICATIONS:

1. Electrical Characteristics:
 - 1.1 250V AC max at 2 Amps
 - 1.2 Dielectric Withstanding: 1000V DC/Min. < 0.5A
 - 1.3 Insulation Resistance: > 500MΩ, 1000V DC/Min
 - 1.4 Contact Resistance: < 20MΩ
2. Mechanical Characteristics:
 - 2.1 Cable to Plug tensile strength: 20LBs (89N) min
 - 2.2 Durability: 2000 mating cycles
3. Material: PC
4. Inspection For Environmental Protection
Based On The Performed Tests On Submitted Sample,
The Test Results Are Compliant With The Limits
Of Rohs And Reach
5. Operating Temperature: -40°C - +125°C

Ordering Code:

ATRP8P8C6T - X - X - X - 002
 ① ② ③ ④ ⑤

- | | |
|---------------------------------|--------------------|
| ① Series: | ④ Gold plating : |
| ② Housing Material: | A: 1u" B: 3u" |
| A: UL 94V-0 | C: 6u" D: 15u" |
| B: UL 94V-2 | E: 30u" F: 50u" |
| ③ Contact Type: | ⑤ Serial number: |
| B: 2 Prongs for solid wire (SS) | |
| C: 3 prongs for solid wire (S) | |
| D: 2 Prongs for solid wire (SS) | |
| E: 3 prongs for solid wire (S) | |

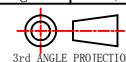
Unless Otherwise specified tolerance
 X. ±0.35 X.XX: ±0.20
 X.X: ±0.25 X.XXX: ±0.15



ANTENK ELECTRONICS CO., LTD
 Http://www.antenk.com
 E-mail: sales@antenk.com

SCALE: As Shown	UNIT: mm
DRAW Robin	DATE 04/06/2015
CHECK BobYang	DATE 04/06/2015

TITLE:
UTP/CAT6/6UP 2DOWN



DRAWING NO: ATRP8P8C6T-XXX-002
 PRODUCT NO: ATRP8P8C6T-XXX-002

REV	DESCRIPTION	DATE