

SPECIFICATIONS:

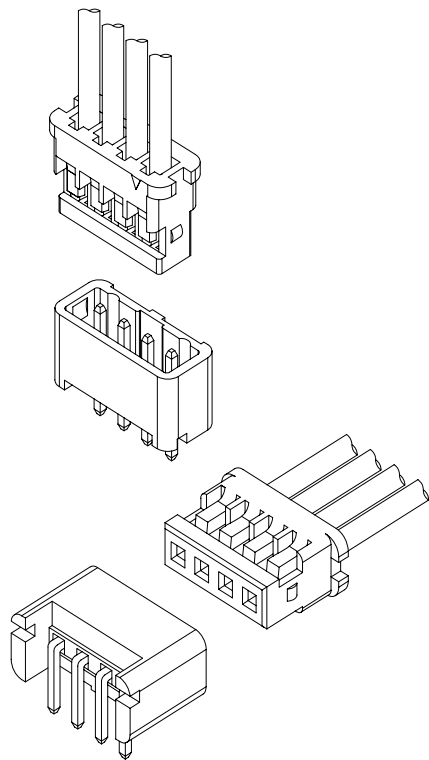
Voltage rating: 500V AC/DC
 Current rating: 3A AC/DC
 Withstanding Voltage: 1000V AC/minute
 Insulation resistance: 500MΩ Min.
 Temperature range: -25°C To +85°C
 Contact resistance: 20mΩ Max.

Standards

HSF

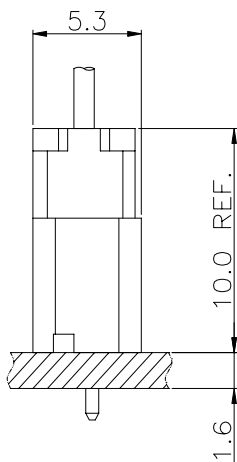


RoHS

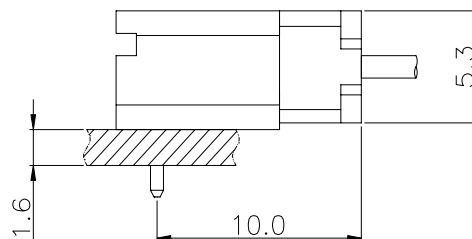


Wire to Board

Assembly Layout



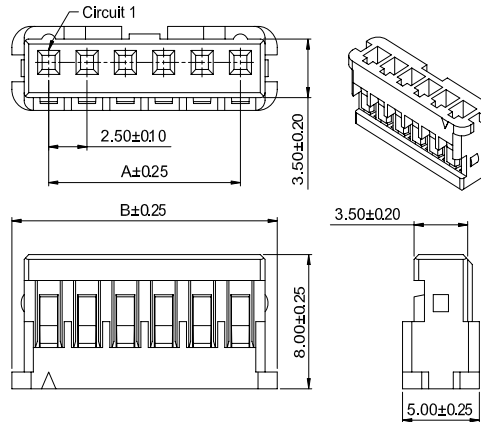
DIP TYPE



2.50mm Pitch housing connector

HOUSING

- Part NO.: AH2511-xP
- Suitable AT2511T series Terminal
- Material: Nylon 66, UL94V-0
- Mates with AW2511 series Wafer
- Color: Black



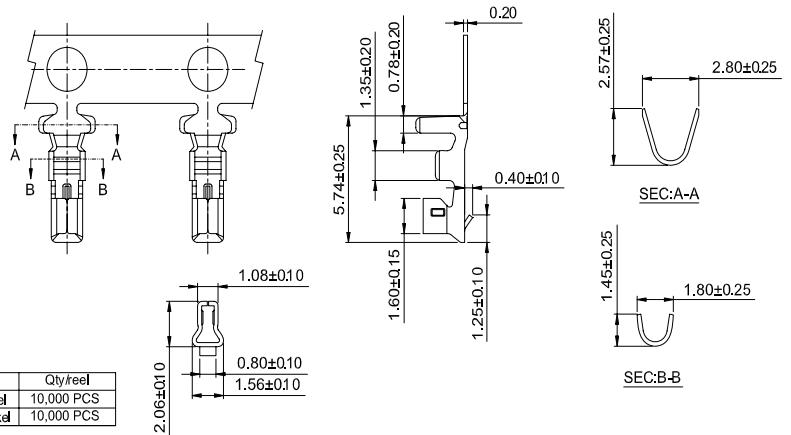
Ordering Information & Dimensions:

PART NO.	Dimensions	
	A	B
AH2511-2P	2.50	7.30
AH2511-3P	5.00	9.80
AH2511-4P	7.50	12.30
AH2511-5P	10.00	14.80
AH2511-6P	12.50	17.30
AH2511-7P	15.00	19.80
AH2511-8P	17.50	22.30
AH2511-9P	20.00	24.80
AH2511-10P	22.50	27.30
AH2511-11P	25.00	29.80
AH2511-12P	27.50	32.30
AH2511-13P	30.00	34.80
AH2511-14P	32.50	37.30
AH2511-15P	35.00	39.80

2.50mm Pitch crimp terminal connector

TERMINAL

- Part NO.: AT2511T-xP
- Applicable wire: AWG#22-#30
- Material: Phosphor Bronze
- Finish: Tin Plated or Gold
- Used in AH2511 series Housing



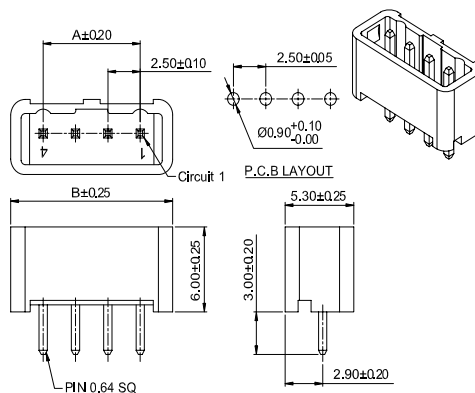
Ordering information & Specifications:

Part NO.	Wire Range	Insulation O.D.	Material	Finish	Qty/reel
AT2511T-TP	AWG #22-#30	1.90mm(max)	Phosphor Bronze	Tin over Nickel	10,000 PCS
AT2511T-GP	AWG #22-#30	1.90mm(max)	Phosphor Bronze	Gold over Nickel	10,000 PCS

2.50mm Pitch 180° wafer connector

WAFER

- Part NO.: AW2511V-xP
- Material: Pin: Brass/Tin over Nickel
- Insulator: Nylon 66, UL94V-0
- Mates with: AH2511 series Housing
- Color: Black



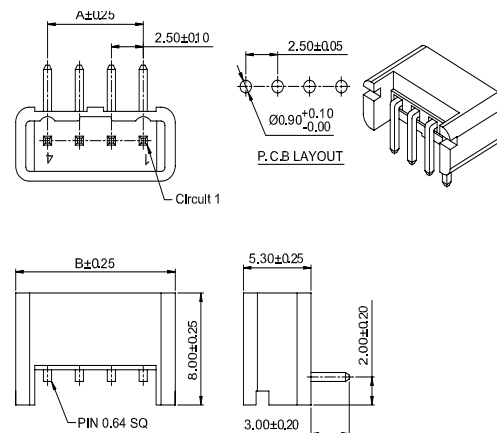
Ordering Information & Dimensions:

PART NO.	Dimensions	
	A	B
AW2511V-2P	2.50	7.50
AW2511V-3P	5.00	10.00
AW2511V-4P	7.50	12.50
AW2511V-5P	10.00	15.00
AW2511V-6P	12.50	17.50
AW2511V-7P	15.00	20.00
AW2511V-8P	17.50	22.50
AW2511V-9P	20.00	25.00
AW2511V-10P	22.50	27.50
AW2511V-11P	25.00	30.00
AW2511V-12P	27.50	32.50
AW2511V-13P	30.00	35.00
AW2511V-14P	32.50	37.50
AW2511V-15P	35.00	40.00

2.50mm Pitch 90° wafer connector

WAFER

- Part NO.: AW2511R-xP
- Material: Pin: Brass/Tin over Nickel
- Insulator: Nylon 66, UL94V-0
- Mates with: AH2511 series Housing
- Color: Black



Ordering Information & Dimensions:

PART NO.	Dimensions	
	A	B
AW2511R-2P	2.50	7.50
AW2511R-3P	5.00	10.00
AW2511R-4P	7.50	12.50
AW2511R-5P	10.00	15.00
AW2511R-6P	12.50	17.50
AW2511R-7P	15.00	20.00
AW2511R-8P	17.50	22.50
AW2511R-9P	20.00	25.00
AW2511R-10P	22.50	27.50
AW2511R-11P	25.00	30.00
AW2511R-12P	27.50	32.50
AW2511R-13P	30.00	35.00
AW2511R-14P	32.50	37.50
AW2511R-15P	35.00	40.00