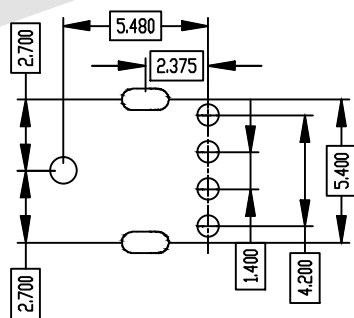
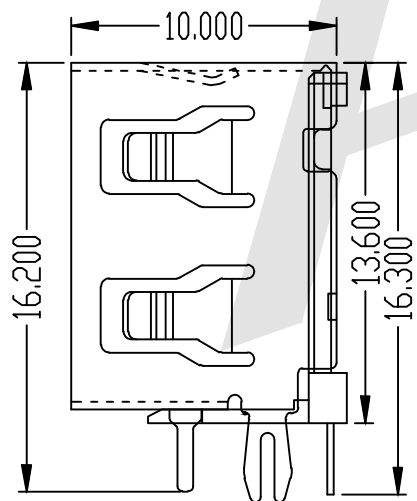
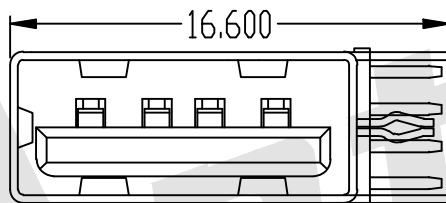
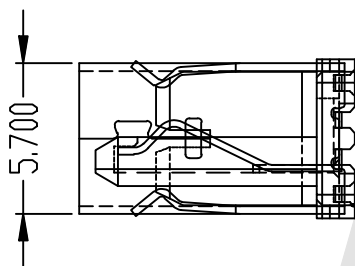
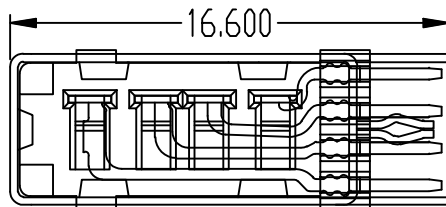
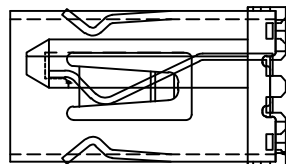


HSF



1. Material:

Housing: Thermoplastics, UL94V-0 (Halogen free), black
 Contact: Copper Alloy T=0.25mm
 Shell: Copper Alloy T=0.30mm

2. Finish: Contact: Au 1u" Plated on Contact Area 80u" Min,
 Bright Tin Plated on solder Tails Area
 50u" Min, Nickel Underplating Over All

Shell: 50u" Min. Nickel Underplating over all

3. Specification:

rated current: 1.5A

Insulation Resistance: 1000MΩ Min, at 500V/DC for 1 Minute

Withstanding voltage: 500V AC /minute

Contact Resistance: 30 m ohms Max

MECHANICAL

Mating force: 35N (3.57kgf) MAX

Unmating force (without lock): 10N (1.02kgf) min

Durability: 3000 cycles Min

Contact retention force: 4.2N (0.43kgf) min

Ordering Code:

UAFR21- X - X - X - X - X - X

① ② ③ ④ ⑤ ⑥ ⑦

- ① Series No:
- ② Shell Material:
B: Brass I: Iron
S: stainless steel
- ③ Insulator Material:
P: PBT+30%GF
L: LCP
- ④ Contact Material:
B: Brass
P: phosphor copper
- ⑤ Contact Plating
G0: Gold flash
G1: 3u" Gold
G2: 5u" Gold
G3: 10u" Gold
G4: 15u" Gold
G5: 30u" Gold
- ⑥ Color Insulator
A: White
B: Black
- ⑦ Packing
A: Tray B: Bag
C: Tube D: Tape & Reel

Unless Otherwise specified tolerance
 X. ±0.35 X.XX: ±0.20
 X.X: ±0.25 X.XXX: ±0.15



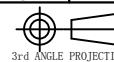
ANTENK ELECTRONICS CO., LTD

Http://www.antenk.com

E-mail: sales@antenk.com

SCALE: As Shown UNIT: mm
 DRAW Lv Xun Hua DATE 17/06/2019
 CHECK BobYang DATE 17/06/2019

TITLE: USB A Type Receptacle angle Upright
 extra short body L=11.0



DRAWING NO: UAFR21-XXXXXX

PRODUCT NO: UAFR21-XXXXXX

REV	DESCRIPTION	DATE
1		
2		
3		
4		
5		