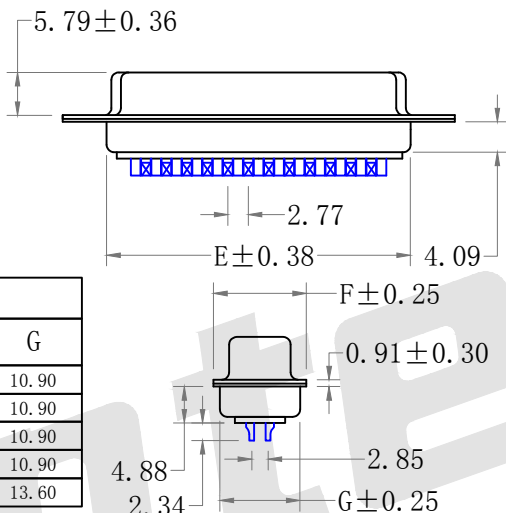
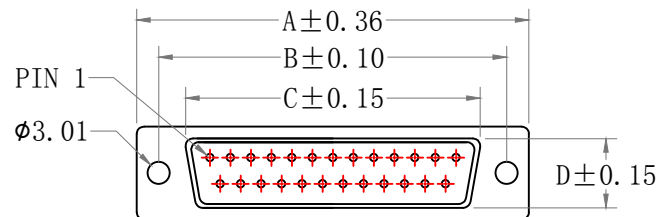
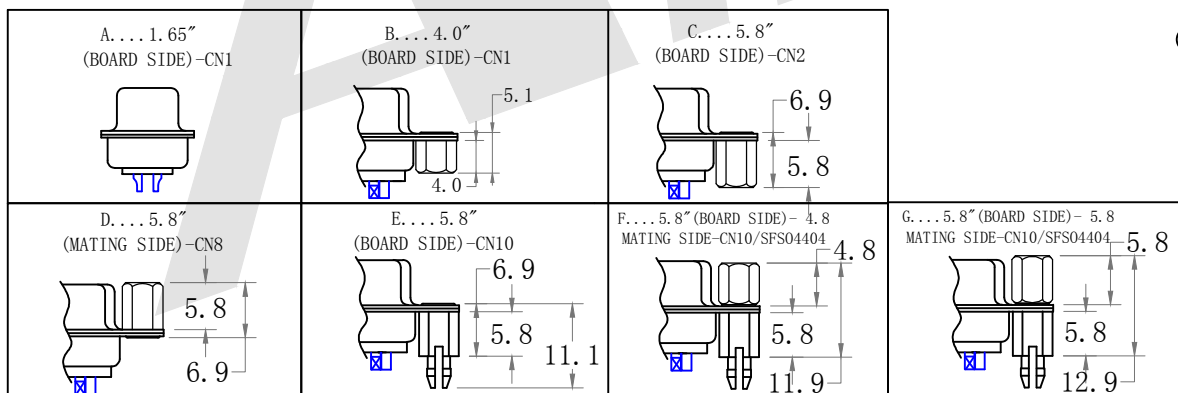


HSF



DIMENSIONS							
No. OF PINS	A	B	C	D	E	F	G
9	30.80	24.99	17.00	8.40	19.20	12.60	10.90
15	39.15	33.32	25.30	8.40	27.51	12.60	10.90
25	53.04	47.04	39.00	8.40	41.40	12.60	10.90
37	69.32	63.50	55.40	8.40	57.81	12.60	10.90
50	66.93	61.11	52.80	11.10	55.42	15.20	13.60

ALL CLINCH-NUTS ARE 4-40 INTERNAL THREADS



NOT: 4-40 FEMALE SCREW LOCK IS REMOVABLE

TOLERANCE: ALL DIMENSIONS ARE ±0.25

MATERIALS AND FINISH

SHELL: STEEL MATERIAL, FRONT SHELL NICKEL FINISHED
BACK SHELL NICKEL FINISHED

INSULATOR: PBT THERMOPLASTIC, 30% GLASS
FILLED, UL 94V-0 RATED, WHITE COLOR

CONTACT MATERIAL: BRASS

CONTACT FINISH: FULL 2u" GOLD

ELECTRICAL CHARACTERISTICS

CONTACT CURRENT RATING : 5.0 AMPS

CONTACT RESISTANCE : 30 MILLIOHMS MAX.

DIELECTRIC WITHSTANDING VOLTAGE : 1000 V AC MIN

INSULATION RESISTANCE : 5000 MEGAOHMS MIN

TEMPERATURE RATING : -55°C ~ +105°C

Ordering Code:

MDB01 - F - X - X - X - X

- ①
- ②
- ③
- ④
- ⑤
- ⑥

① MDB Series

② Contact Type:
F: FEMALE

③ Contact NO. :
09=09Pin 15=15Pin
25=25Pin 37=37Pin
50=50Pin

④ Mounting Option:

- A: NOHARDWARE
- B: 4.0" CLINCH NUT (BOARD SIDE)
- C: 5.8" CLINCH NUT (BOARD SIDE)
- D: 5.8" CLINCH NUT (MOUNTING SIDE)
- E: 5.8" 4-40 BOARD LOCK
- F: 5.8" BOARD LOCK, BOARD SIDE
4.80" SCREW LOCK, MATING SIDE
- G: 5.8" BOARD LOCK, BOARD SIDE
5.80" SCREW LOCK, MATING SIDE

⑤ Insulation Color Code:

B: Black G: Grey
W: White L: Blue

⑥ Contact Plating

- S: Selective Gold
- S1: Selective 3u" Gold
- S2: Selective 5u" Gold
- S3: Selective 10u" Gold
- S4: Selective 15u" Gold
- S5: Selective 30u" Gold
- G0: Gold flash
- G1: 3u" Gold over
- G2: 5u" Gold over
- G3: 10u" Gold over
- G4: 15u" Gold over
- G5: 30u" Gold over

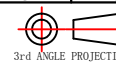
Unless Otherwise specified tolerance
X. ±0.35 X.XX: ±0.20
X.X: ±0.25 X.XXX: ±0.15



ANTENK ELECTRONICS CO., LTD
Http://www.antenk.com
E-mail: sales@antenk.com

SCALE: As Shown	UNIT: mm
DRAW Lv Xun Hua	DATE 05/03/2019
CHECK BobYang	DATE 05/03/2019

TITLE:
D-SUB FEMALE Solder type Machine Pin



DRAWING NO: MDB01-FXXXX

PRODUCT NO: MDB01-FXXXX

D

D

REV	DESCRIPTION	DATE
1		
2		
3		
4		
5		
6		
7		
8		