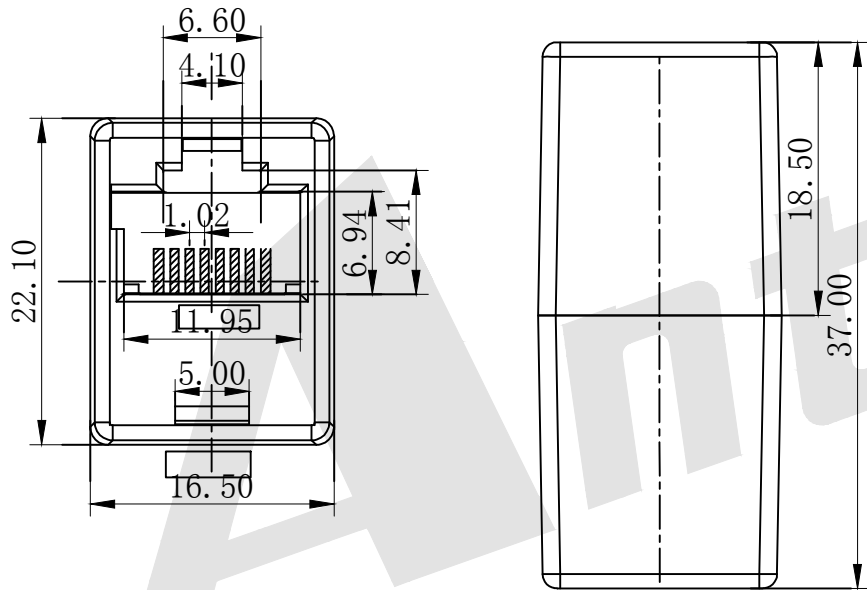


HSF



NOTE:

ELECTRICAL:

1. VOLTAGE RATING:250 V AC MAX
2. CURRENT RATING:2 AMP
3. DIELECTRIC WITH STANDING:500V AC
4. INSULATION RESISTANCE:500m Ω
5. TERMINATION RESISTANCE:35m Ω

MATERIAL&FINISH:

1. ABS, HB OR UL94-0
2. CONTACT:Phosphor bronze alloy gold plated over nickel round pin Ø0.45mm
3. Gold plating thickness options:F、3、6、15、30、50 Micro inch

MECHANICAL:

1. Corpus to corpus tensile strength 20LBS (89N)min
2. Durability:500 mating cycles

Ordering Code:

RJKS - 004
 ① ②

① Series:Keystone Jacks

② Serial number:

Unless Otherwise specified tolerance
 X. ±0.35 X.XX: ±0.20
 X.X: ±0.25 X.XXX: ±0.15

Antenk ANTENK ELECTRONICS CO., LTD
 Http://www.antenk.com
 E-mail:sales@antenk.com

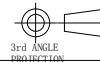
SCALE: As Shown	UNIT: mm
DRAW Wu Sai	DATE 22/03/2018
CHECK BobYang	DATE 22/03/2018

TITLE:
Cat5e keystone jack Unshield

DRAWING NO: RJKS-004

PRODUCT NO: RJKS-004

REV	DESCRIPTION	DATE



3rd ANGLE PROJECTION