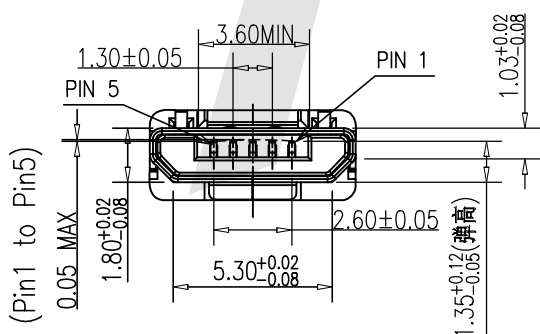
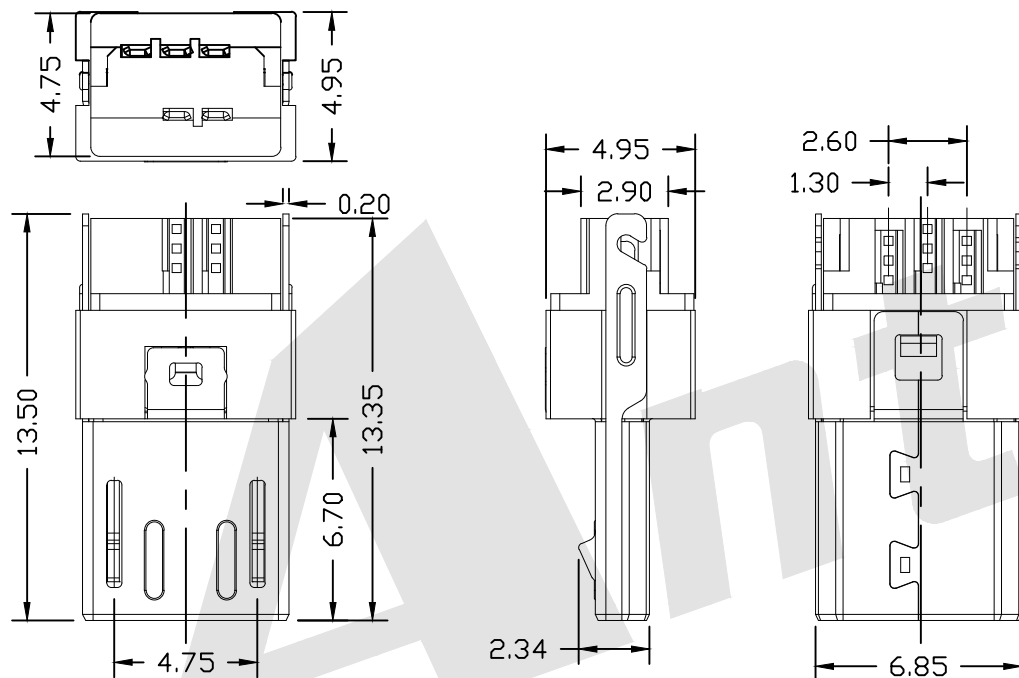


HSF



ROHS



Specifications:

Current Rating: 1A Max
 Contact Resistance: 50 milliohms MAX
 Dielectric Withstanding Voltage: 100V AC AT Sea Level
 Insulation Resistance: 100 MEGA ohms MIN
 Housing: Temperature Thermoplastics, LCP UL 94V-0
 Contact: Copper Alloy T=0.20mm Plated Gold in Mating Area;
 Tin On Solder Tails Shell: Stainless Steel T=0.20mm Nickel/Plating
 Ordering Code:

MUMS03 - X - L - X - X - X

① ② ③ ④ ⑤ ⑥

- ① Series No:
- ② Shell Material:
B: Brass I: Iron
S: stainless steel
- ③ Insulator Material:
P: PBT+30%GF
L: LCP
- ④ Contact Material:
B: Brass
P: phosphor copper
- ⑤ Contact Plating
G0: Gold flash
G1: 3u" Gold
G2: 5u" Gold
G3: 10u" Gold
G4: 15u" Gold
G5: 30u" Gold
- ⑥ Packing
A: Tray
B: Bag
C: Tube
D: Tape & Reel

Unless Otherwise specified tolerance
 X. ±0.35 X.XX: ±0.20
 X.X: ±0.25 X.XXX: ±0.15

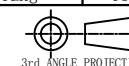
Antenk® ANTENK ELECTRONICS CO., LTD
[Http://www.antenk.com](http://www.antenk.com)
 E-mail: sales@antenk.com

SCALE: As Shown	UNIT: mm
DRAW Lv Xun Hua	DATE 05/06/2019
CHECK BobYang	DATE 05/06/2019

TITLE: Micro USB 5P Plug Solder B Type

DRAWING NO: MUMS3-XXXXX

PRODUCT NO: MUMS3-XXXXX



REV	DESCRIPTION	DATE
1		
2		
3		
4		
5		