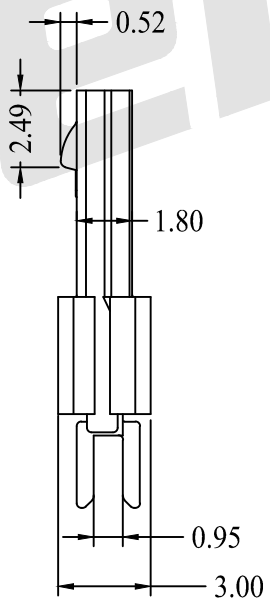
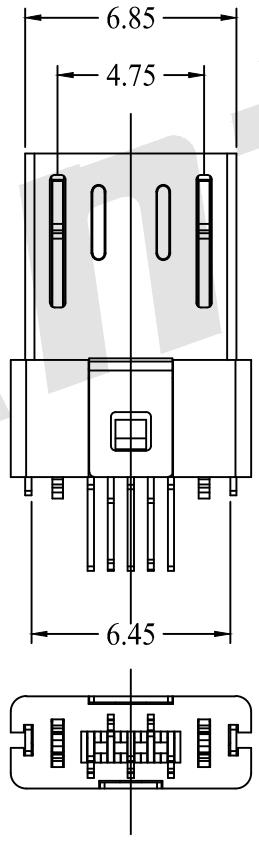
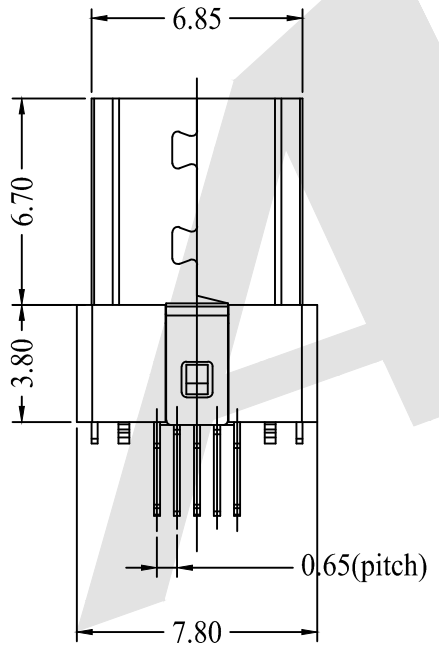
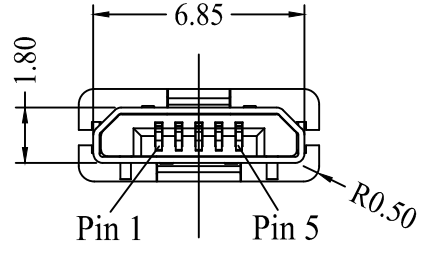
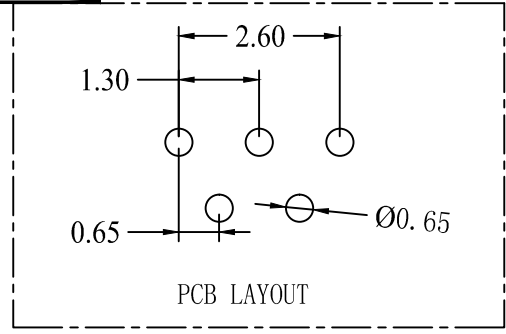


HSF  **R6HS**



NOTE:
 PIN 1: The Positive Pole
 PIN 2、3: Signal
 PIN 4 : No
 PIN 5: Earth

Specifications:
 Current Rating: 0.5A Max
 Contact Resistance: 50 milliohms MAX
 Dielectric Withstanding Voltage: 100V AC AT Sea Level
 Insulation Resistance: 100 MEGA ohms MIN
 Housing: Temperature Thermoplastics, LCP UL 94V-0
 Contact: Copper Alloy T=0.20mm Plated Gold in Mating Area; Tin On Solder Talls
 Shel: Stainless Steel T=0.20mm Nickel/Plating

Ordering Code:

MUMS04 - X - L - X - X - X
 ① ② ③ ④ ⑤ ⑥

- ① Series No:
- ② Shell Material:
B: Brass
S: stainless steel
- ③ Insulator Material:
P: PBT+30%GF
L: LCP
- ④ Contact Material:
B: Brass
P: phosphor copper
- ⑤ Contact Plating
G0: Gold flash
G1: 3u" Gold
G2: 5u" Gold
G3: 10u" Gold
G4: 15u" Gold
G5: 30u" Gold
- ⑥ Packing
A: Tray
B: Bag
C: Tube
D: Tape & Reel

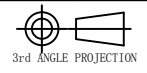
Unless Otherwise specified tolerance
 X. ±0.35 X.XX: ±0.20
 X.X: ±0.25 X.XXX: ±0.15

Antenk® ANTENK ELECTRONICS CO., LTD
 Http://www.antenk.com
 E-mail:sales@antenk.com

| | |
|--------------------|--------------------|
| SCALE: As Shown | UNIT: mm |
| DRAW Lv Xun Hua | DATE 05/06/2019 |
| CHECK BobYang | DATE 05/06/2019 |

TITLE:
Micro USB 5P Plug Straddle B Type

DRAWING NO: MUMS4-XLXXX
 PRODUCT NO: MUMS4-XLXXX



| REV | DESCRIPTION | DATE |
|-----|-------------|------|
| 1 | | |
| 2 | | |
| 3 | | |
| 4 | | |