

SPECIFICATIONS:

- Voltage rating: 50V AC/DC
- Current rating: 1A AC/DC
- Withstanding Voltage: 500V AC/minute
- Insulation resistance: 100MΩ Min.
- Temperature range: -40°C To +105°C
- Contact resistance: 20mΩ Max.

Standards

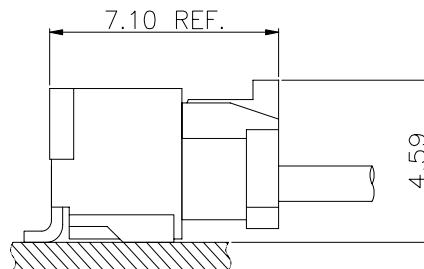
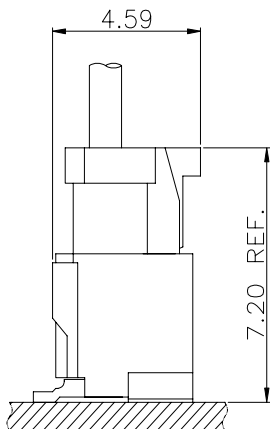
HSF



RoHS

Wire to Board

Assembly Layout



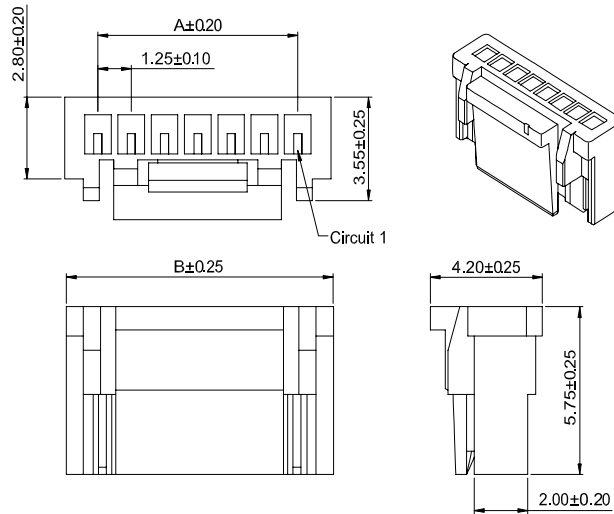
SMT TYPE

Connectors Expert Around You

1.25mm Pitch housing connector

HOUSING

- Part NO.:AH1257-xP
- Suitable:AT1257T series Terminal
- Mates with:AW1257 series Wafer
- Material:Nylon 66,UL94V-0
- Color:White



Ordering Information & Dimensions:

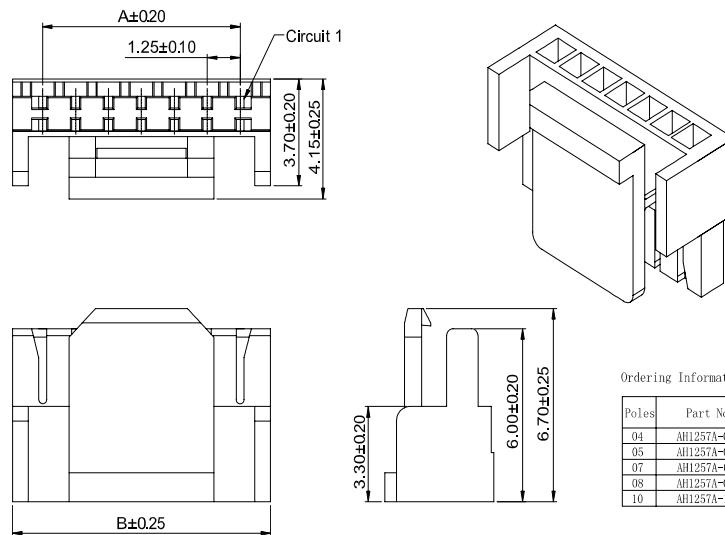
Poles	Part No.	Dimensions(mm)	
		A	B
02	AH1257-02P	1.25	3.75
03	AH1257-03P	2.50	5.00
04	AH1257-04P	3.75	6.25
05	AH1257-05P	5.00	7.50
06	AH1257-06P	6.25	8.75
07	AH1257-07P	7.50	10.00
08	AH1257-08P	8.75	11.25
09	AH1257-09P	10.00	12.50
10	AH1257-10P	11.25	13.75
11	AH1257-11P	12.50	15.00
12	AH1257-12P	13.75	16.25
13	AH1257-13P	15.00	17.50
14	AH1257-14P	16.25	18.75
15	AH1257-15P	17.50	20.00

Wire to Board

1.25mm Pitch housing connector

HOUSING

- Part NO.:AH1257A-xP
- Suitable:AT1257T series Terminal
- Mates with:AW1257 series Wafer
- Material:PBT,UL94V-0
- Color:White



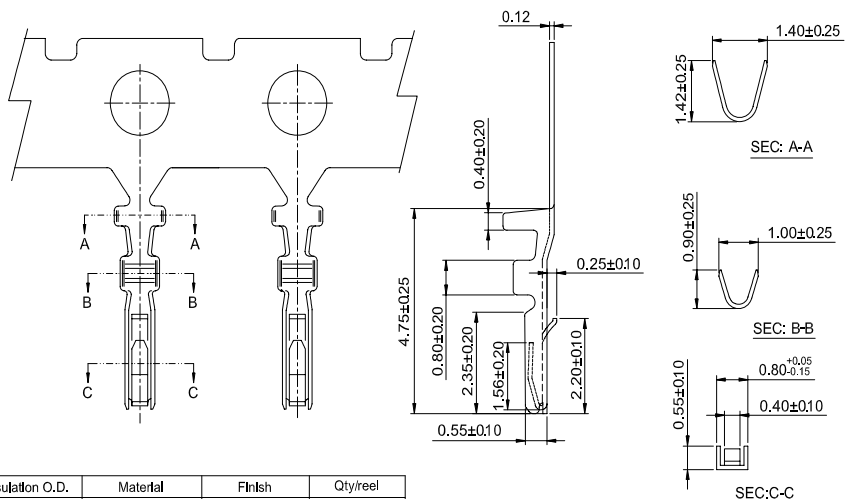
Ordering Information & Dimensions:

Poles	Part No.	Dimensions(mm)	
		A	B
04	AH1257A-04P	3.75	6.05
05	AH1257A-05P	5.00	7.30
07	AH1257A-07P	7.50	9.80
08	AH1257A-08P	8.75	11.05
10	AH1257A-10P	11.25	13.55

1.25mm Pitch crimp terminal connector

TERMINAL

- Part NO:AT1257T-xP
- Applicable wire:AWG#28-#32
- Material:Phosphor Bronze
- Finish:Tin Plated or Gold
- Used in AH1257 series Housing



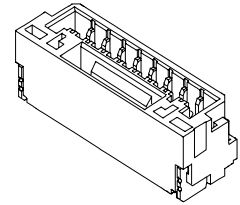
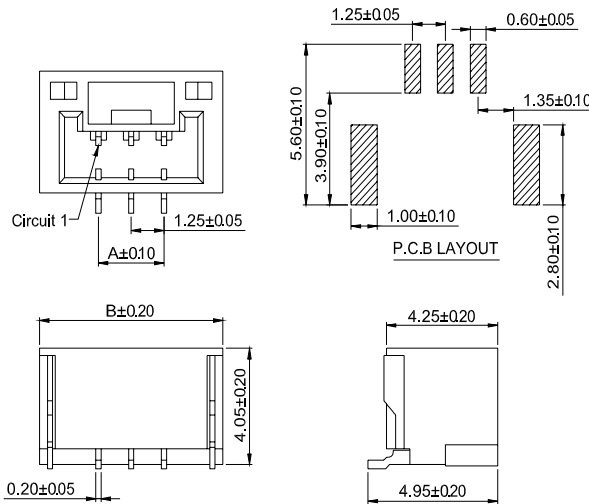
Part NO.	Wire Range	Insulation O.D.	Material	Finish	Qty/reel
AT1257T-1P	AWG#28-#32	1.00mm(max)	Phosphor Bronze	Tin over Nickel	20,000 PCS
AT1257T-4P	AWG#28-#32	1.00mm(max)	Phosphor Bronze	Gold over Nickel	20,000 PCS

Connectors Expert Around You

1.25mm Pitch 180° wafer-smt connector

WAFER

- Part NO:AW1257V-S-xP
- Material:Pin:Brass/Tin over Nickel
- Insulator:Nylon 9T, UL94V-0
- Mates with:AH1257 series Housing
- Color: Ivory



Ordering Information & Dimensions:

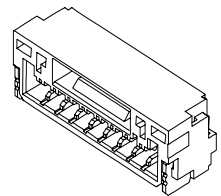
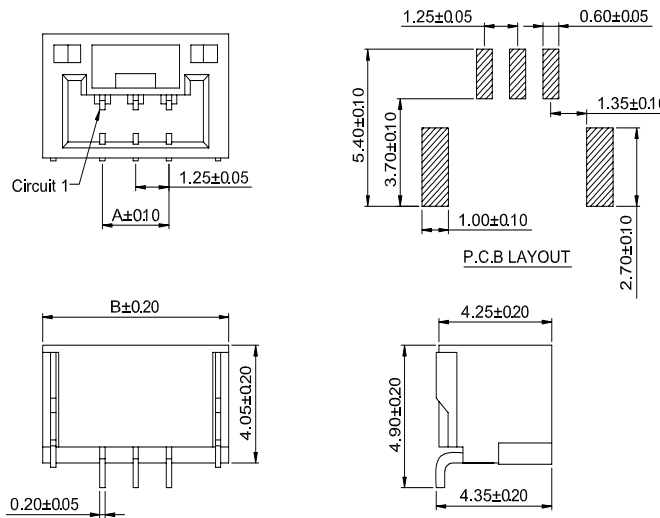
Poles	Part No.	Dimensions (mm)	
		A	B
02	AW1257V-S-02P	1.25	5.75
03	AW1257V-S-03P	2.50	7.00
04	AW1257V-S-04P	3.75	8.25
05	AW1257V-S-05P	5.00	9.50
06	AW1257V-S-06P	6.25	10.75
07	AW1257V-S-07P	7.50	12.00
08	AW1257V-S-08P	8.75	13.25
09	AW1257V-S-09P	10.00	14.50
10	AW1257V-S-10P	11.25	15.75
11	AW1257V-S-11P	12.50	17.00
12	AW1257V-S-12P	13.75	18.25
13	AW1257V-S-13P	15.00	19.50
14	AW1257V-S-14P	16.25	20.75
15	AW1257V-S-15P	17.50	22.00

Wire to Board

1.25mm Pitch 90° wafer-smt connector

WAFER

- Part NO:AW1257R-S-xP
- Material:Pin:Brass/Tin over Nickel
- Insulator:Nylon 9T, UL94V-0
- Mates with:AH1257 series Housing
- Color: Ivory



Ordering Information & Dimensions:

Poles	Part No.	Dimensions (mm)	
		A	B
02	AW1257R-S-02P	1.25	5.75
03	AW1257R-S-03P	2.50	7.00
04	AW1257R-S-04P	3.75	8.25
05	AW1257R-S-05P	5.00	9.50
06	AW1257R-S-06P	6.25	10.75
07	AW1257R-S-07P	7.50	12.00
08	AW1257R-S-08P	8.75	13.25
09	AW1257R-S-09P	10.00	14.50
10	AW1257R-S-10P	11.25	15.75
11	AW1257R-S-11P	12.50	17.00
12	AW1257R-S-12P	13.75	18.25
13	AW1257R-S-13P	15.00	19.50
14	AW1257R-S-14P	16.25	20.75
15	AW1257R-S-15P	17.50	22.00