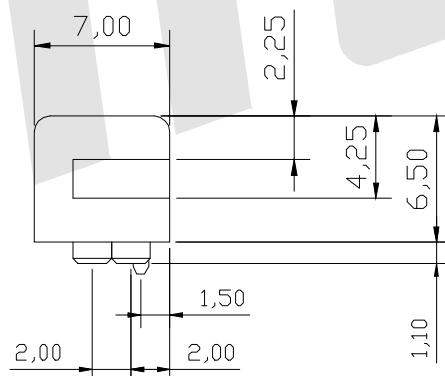
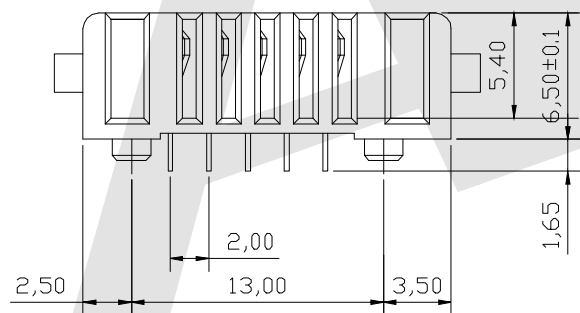


RECOMMENDED PCB LAYOUT
Layout Tolerance=±0.05



Notes

- Housing: Thermo plastic UL94V-0. BLACK
- Terminal: Copper Alloy
- Finish: Terminal: Selected Gold on Contact Area, Gold Flash on Solder Tails. Both Over 30u" Mn. Ni Under-Plated Overall

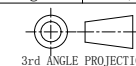
Order code:

ABT16 - 05 - L - A - X - D
① ② ③ ④ ⑤ ⑥

- | | |
|-----------------------|--------------------|
| ① Series No: | ⑤ Contact Plating: |
| ② No. of Contacts | G0: Gold flash |
| 05: 05Pin | G1: 3u" gold |
| ③ Insulator Material: | G2: 5u" gold |
| P: PBT+30%GF | G3: 10u" gold |
| L: LCP | G4: 15u" gold |
| ④ Pitch | G5: 30u" gold |
| A: 2.0mm Pitch | ⑥ Packing: |
| | A: Tray |
| | B: Bag |
| | C: Tube |
| | D: Tape Reel |

Unless Otherwise specified tolerance
X. ±0.35 X.XX: ±0.20
X.X: ±0.25 X.XXX: ±0.15

SCALE: As Shown	UNIT: mm
DRAW Wu Feng Rong	DATE 10/03/2020
CHECK BobYang	DATE 10/03/2020



Antenk® ANTENK ELECTRONICS CO., LTD
Http://www.antenk.com
E-mail:sales@antenk.com

TITLE: 2.0 Notebook Computer 5 Circuit Battery Connector 6.5*7MM

DRAWING NO: ABT16-05LAXD

PRODUCT NO: ABT16-05LAXD

REV	DESCRIPTION	DATE
1		
2		
3		
4		
5		