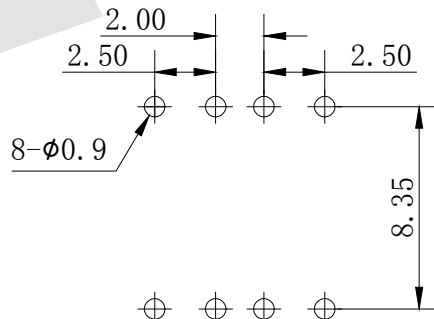
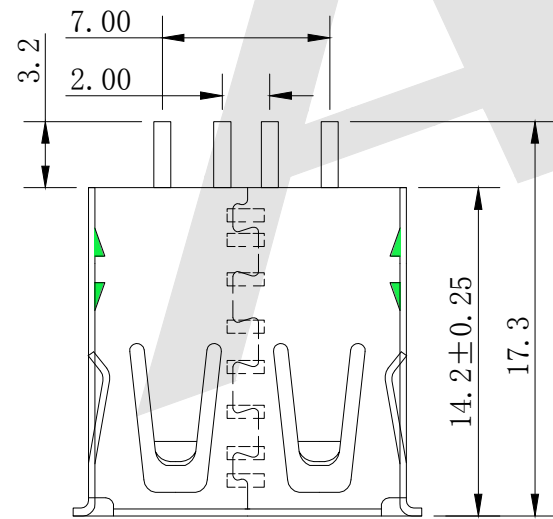
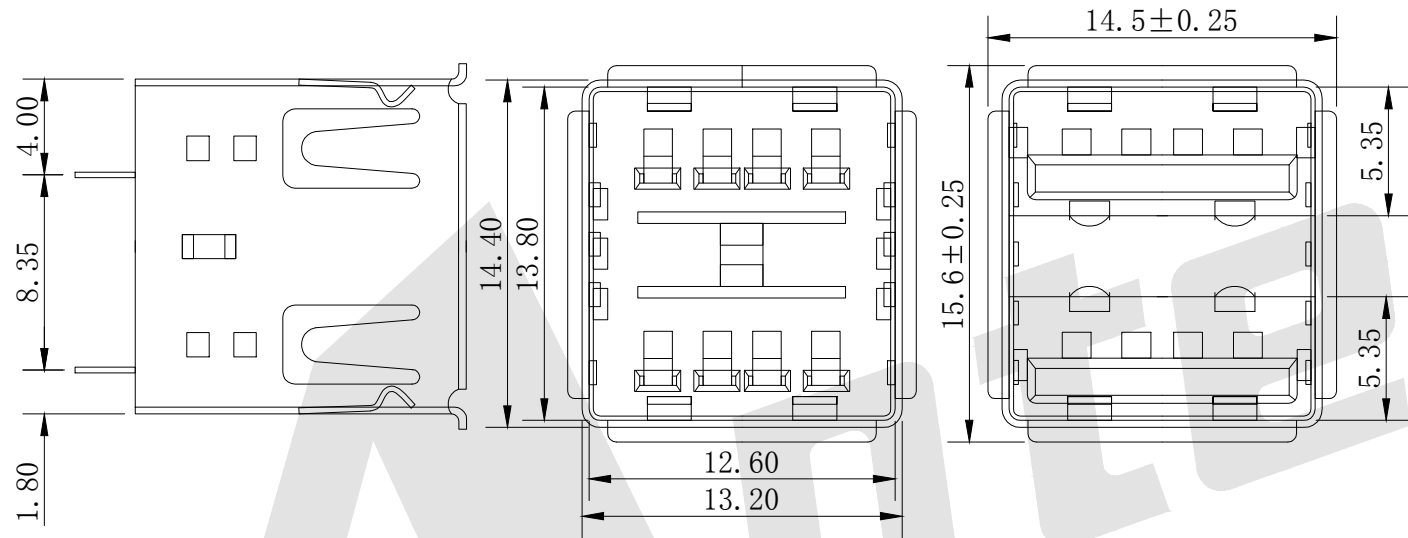


HSF



RBCOMMENDBD P. C. B  
PATTBRN LAY OUT

Specifications:  
 Current Rating: 1.5A Max  
 Contact Resistance: 30 milliohms MAX  
 Dielectric Withstanding Voltage: 500V AC AT Sea Level  
 Insulation Resistance: 1000 Megohms MIN  
 Housing: Temperature Thermoplastics, LCP UL 94V-0  
 Contact: Copper Alloy T=0.25mm Plated Gold in Mating Area; Tin On Solder Tails  
 Shell: Iron T=0.30mm Nickel/Plating  
 Mechanical:

1. Connect Mate and Unmate Force Mate force: 3.57kgf (MAX) Unmate force: 1.02kgf (MIN)
2. Terminal Retention 1.2kgf (MIN)

Ordering Code:

UAFS05 - X - X - X - X - X - X  
 ① ② ③ ④ ⑤ ⑥ ⑦

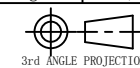
- |   |   |
|---|---|
| ① Series No:  | ⑤ Contact Plating                                   |
| ② Shell Material:<br>B: Brass I: Iron<br>S: stainless steel | G0: Gold flash<br>G1: 3u" Gold<br>G2: 5u" Gold      |
| ③ Insulator Material:<br>P: PBT+30%GF<br>L: LCP             | G3: 10u" Gold<br>G4: 15u" Gold<br>G5: 30u" Gold     |
| ④ Contact Material:<br>B: Brass<br>P: phosphor copper       | ⑥ Color Insulator<br>A: White B: Black              |
|   | ⑦ Packing<br>A: Tray B: Bag<br>C: Tube D: Tape&Reel |

Unless Otherwise specified tolerance  
 X. ±0.35 X.XX: ±0.20  
 X.X: ±0.25 X.XXX: ±0.15

**Antenk** ANTENK ELECTRONICS CO., LTD  
[Http://www.antenk.com](http://www.antenk.com)  
 E-mail: sales@antenk.com

SCALE: As Shown	UNIT: mm
DRAW Lv Xun Hua	DATE 19/06/2019
CHECK BobYang	DATE 19/06/2019

TITLE:  
 USB A Type Receptacle Double Stack  
 Straight DIP L=14.2mm



DRAWING NO: UAFS05-XXXXXX  
 PRODUCT NO: UAFS05-XXXXXX

REV	DESCRIPTION	DATE
1		
2		
3		
4		
5		