

SPECIFICATIONS:

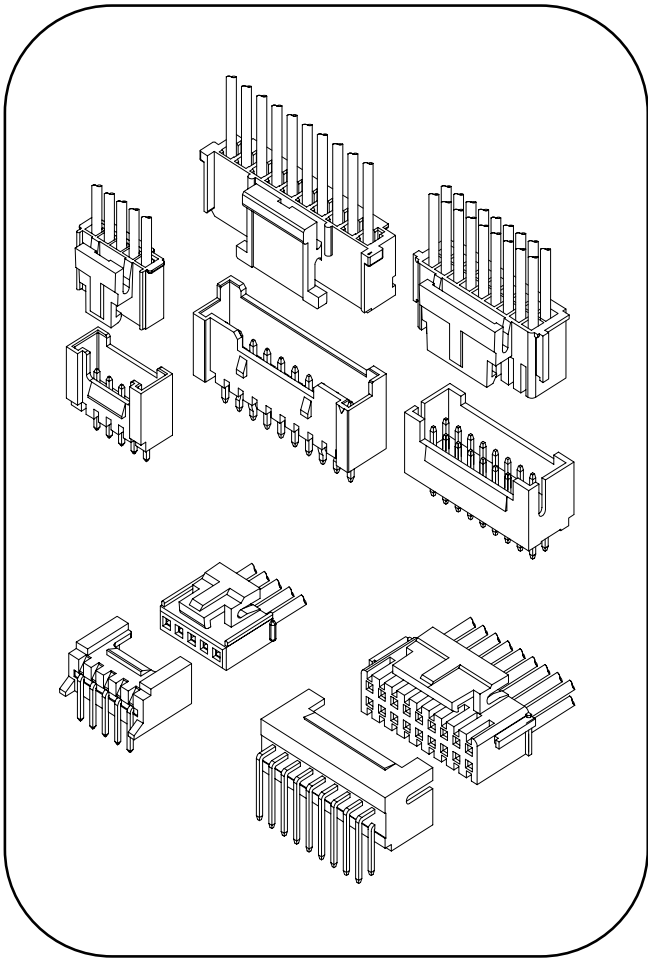
- Voltage rating: 250V AC/DC
- Current rating: 3A AC/DC
- Withstanding Voltage: 1000V AC/minute
- Insulation resistance: 1000MΩ Min.
- Temperature range: -25°C To +85°C
- Contact resistance: 20mΩ Max.

Standards

HSF

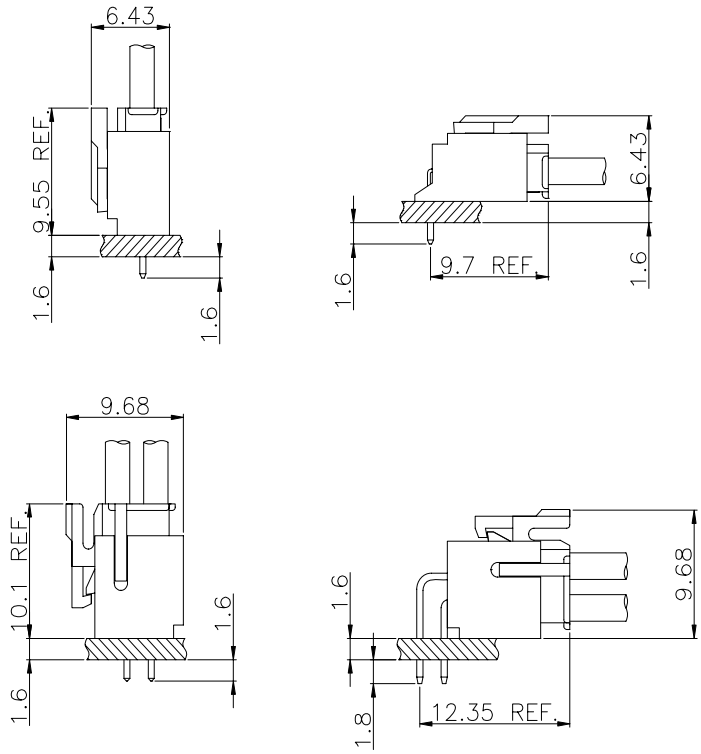


RoHS



Wire to Board

Assembly Layout



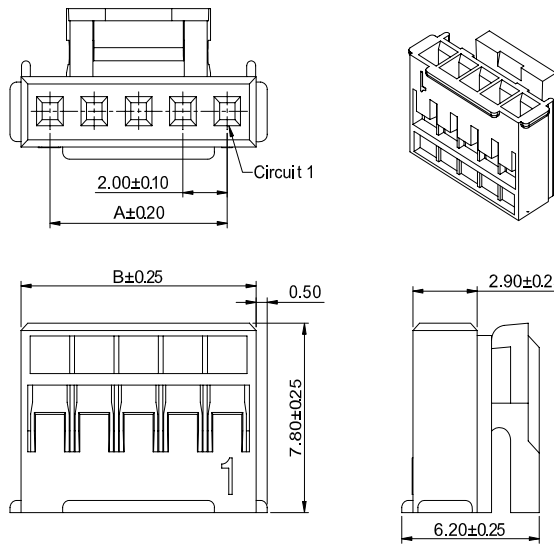
DIP TYPE

Connectors Expert Around You

2.00mm Pitch housing connector

HOUSING

- Part NO.:AH2008-NP
- Poles:02-16P
- Suitable:AT2008T series Terminal
- Mates with:AW2008 Single Row series Wafer
- Material:Nylon 66,UL94v-0
- Color:White



Ordering Information & Dimensions:

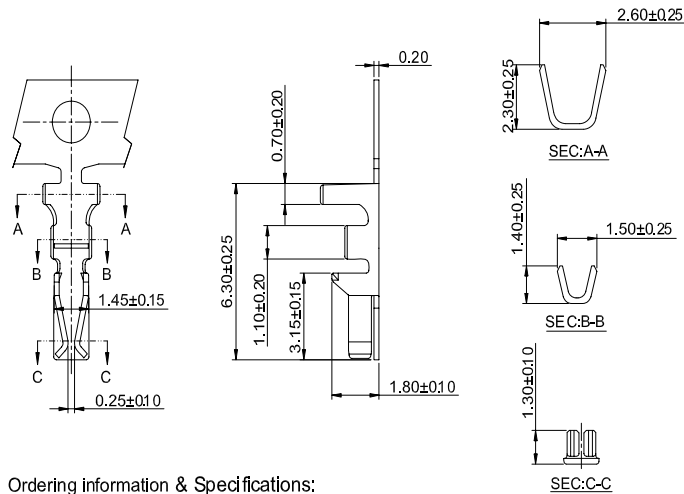
Poles	Part No.	Dimensions(mm)	
		A	B
2	AH2008-02P	2.00	4.70
3	AH2008-03P	4.00	6.70
4	AH2008-04P	6.00	8.70
5	AH2008-05P	8.00	10.70
6	AH2008-06P	10.00	12.70
7	AH2008-07P	12.00	14.70
8	AH2008-08P	14.00	16.70
9	AH2008-09P	16.00	18.70
10	AH2008-10P	18.00	20.70
11	AH2008-11P	20.00	22.70
12	AH2008-12P	22.00	24.70
13	AH2008-13P	24.00	26.70
14	AH2008-14P	26.00	28.70
15	AH2008-15P	28.00	30.70
16	AH2008-16P	30.00	32.70

Wire to Board

2.00mm Pitch crimp terminal connector

TERMINAL

- Part NO.:AT2008T-XP
- Applicable wire:AWG#22-#30
- Material:Phosphor Bronze
- Finish:Tin Plated or Gold
- Used in AH2008 Single Row series Housing



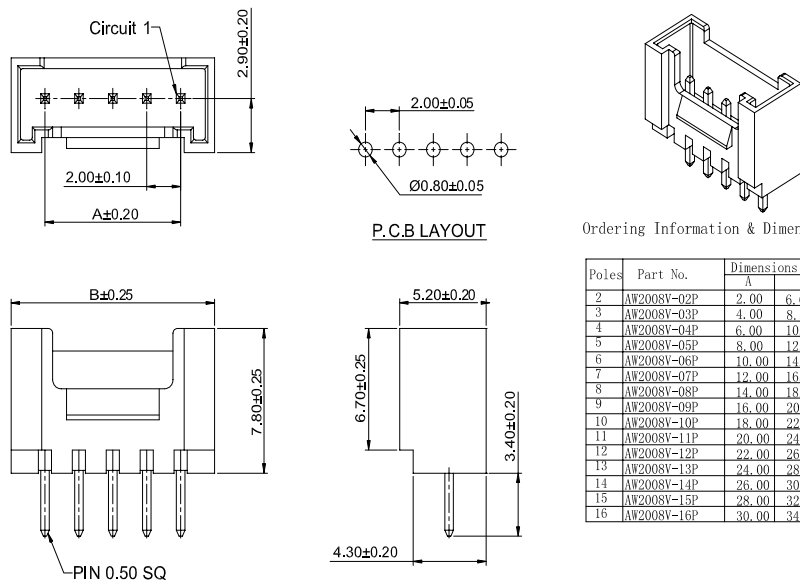
Ordering information & Specifications:

Part NO.	Wire Range	Insulation O.D.	Material	Finish	Qty/reel
AT2008T-TP	AWG#22-#30	1.45mm(max)	Phosphor Bronze	Tin over Nickel	10,000 PCS
AT2008T-GP	AWG#22-#30	1.45mm(max)	Phosphor Bronze	Gold over Nickel	10,000 PCS

2.00mm Pitch 180° wafer connector

WAFER

- Part NO.:AW2008V-NP
- Material:Pin:Brass/Tin over Nickel
- Insulator:Nylon 66, UL94V-0
- Mates with:AH2008 Single Row series Housing
- Color:White



Ordering Information & Dimensions:

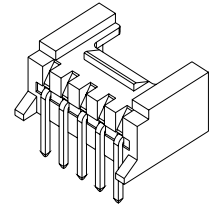
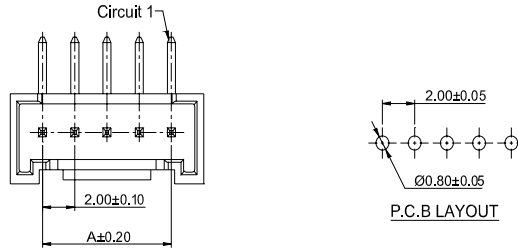
Poles	Part No.	Dimensions(mm)	
		A	B
2	AW2008V-02P	2.00	6.00
3	AW2008V-03P	4.00	8.00
4	AW2008V-04P	6.00	10.00
5	AW2008V-05P	8.00	12.00
6	AW2008V-06P	10.00	14.00
7	AW2008V-07P	12.00	16.00
8	AW2008V-08P	14.00	18.00
9	AW2008V-09P	16.00	20.00
10	AW2008V-10P	18.00	22.00
11	AW2008V-11P	20.00	24.00
12	AW2008V-12P	22.00	26.00
13	AW2008V-13P	24.00	28.00
14	AW2008V-14P	26.00	30.00
15	AW2008V-15P	28.00	32.00
16	AW2008V-16P	30.00	34.00

Connectors Expert Around You

2.00mm Pitch 90° wafer connector

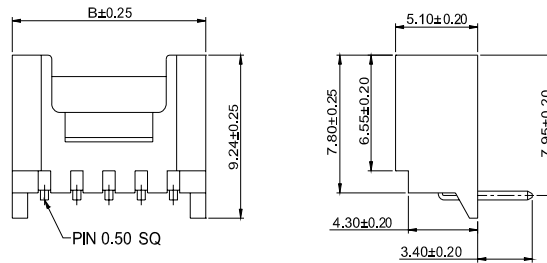
WAFER

- Part NO.:AW2008R-NP
- Material:Pin:Brass/Tin over Nickel
Insulator:Nylon 66,UL94V-0
- Mates with:AH2008 Single Row series Housing
- Color:White



Ordering Information & Dimensions:

Poles	Part No.	Dimensions (mm)	
		A	B
2	AW2008R-02P	2.00	6.00
3	AW2008R-03P	4.00	8.00
4	AW2008R-04P	6.00	10.00
5	AW2008R-05P	8.00	12.00
6	AW2008R-06P	10.00	14.00
7	AW2008R-07P	12.00	16.00
8	AW2008R-08P	14.00	18.00
9	AW2008R-09P	16.00	20.00
10	AW2008R-10P	18.00	22.00
11	AW2008R-11P	20.00	24.00
12	AW2008R-12P	22.00	26.00
13	AW2008R-13P	24.00	28.00
14	AW2008R-14P	26.00	30.00
15	AW2008R-15P	28.00	32.00
16	AW2008R-16P	30.00	34.00

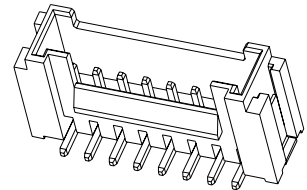
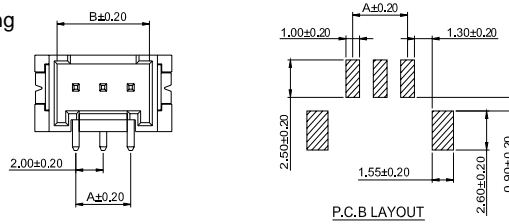


Wire to Board

2.00mm Pitch 180° wafer-smt connector

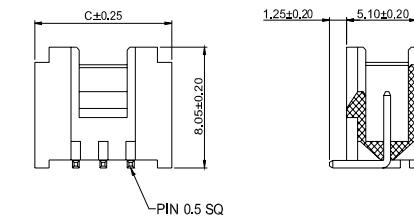
WAFER

- Part NO.:AW2008V-S-NP
- Material:Pin:Brass/Tin over Nickel
Insulator:Nylon 66,UL94V-0
- Mates with:AH2008 Single Row series Housing
- Color:Ivory



Ordering Information & Dimensions:

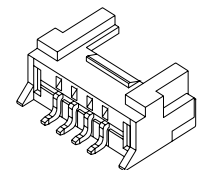
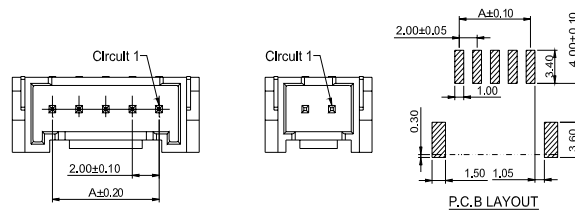
Poles	Part No.	Dimensions (mm)		
		A	B	C
2	AW2008V-S-02P	2.00	4.75	8.00
3	AW2008V-S-03P	4.00	6.75	10.00
4	AW2008V-S-04P	6.00	8.75	12.00
5	AW2008V-S-05P	8.00	10.75	14.00
6	AW2008V-S-06P	10.00	12.75	16.00
7	AW2008V-S-07P	12.00	14.75	18.00
8	AW2008V-S-08P	14.00	16.75	20.00
9	AW2008V-S-09P	16.00	18.75	22.00
10	AW2008V-S-10P	18.00	20.75	24.00
11	AW2008V-S-11P	20.00	22.75	26.00
12	AW2008V-S-12P	22.00	24.75	28.00
13	AW2008V-S-13P	24.00	26.75	30.00
14	AW2008V-S-14P	26.00	28.75	32.00
15	AW2008V-S-15P	28.00	30.75	34.00
16	AW2008V-S-16P	30.00	32.75	36.00



2.00mm Pitch 90° wafer-smt connector

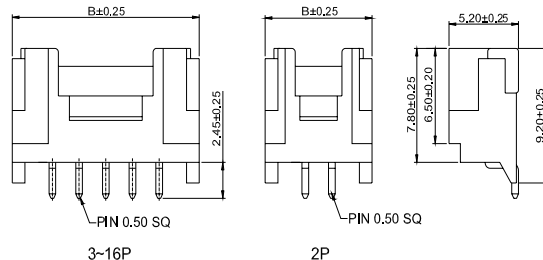
WAFER

- Part NO.:AW2008R-S-NP
- Material:Pin:Brass/Tin over Nickel
Insulator:Nylon 6T,UL94V-0
- Mates with:AH2008 Single Row series Housing
- Color:Beige



Ordering Information & Dimensions:

Poles	Part No.	Dimensions (mm)	
		A	B
2	AW2008R-S-02P	2.00	8.00
3	AW2008R-S-03P	4.00	10.00
4	AW2008R-S-04P	6.00	12.00
5	AW2008R-S-05P	8.00	14.00
6	AW2008R-S-06P	10.00	16.00
7	AW2008R-S-07P	12.00	18.00
8	AW2008R-S-08P	14.00	20.00
9	AW2008R-S-09P	16.00	22.00
10	AW2008R-S-10P	18.00	24.00
11	AW2008R-S-11P	20.00	26.00
12	AW2008R-S-12P	22.00	28.00
13	AW2008R-S-13P	24.00	30.00
14	AW2008R-S-14P	26.00	32.00
15	AW2008R-S-15P	28.00	34.00
16	AW2008R-S-16P	30.00	36.00

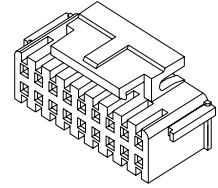
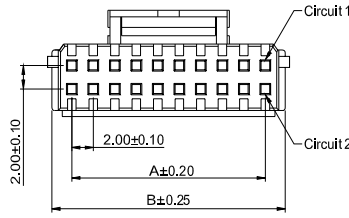


Connectors Expert Around You

2.00mm Pitch dual row housing connector

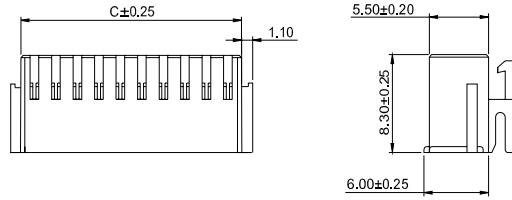
HOUSING

- Part NO.: AH2008-2xNP
- Poles: 06-40P
- Suitable: AT2008T-A series Terminal
- Mates with: AW2008 Dual Row series Wafer
- Material: Nylon 66, UL94V-0
- Color: White



Ordering Information & Dimensions:

Poles	Part No.	Dimensions (mm)		
		A	B	C
6	AH2008-2x03P	4.00	7.70	6.70
8	AH2008-2x04P	6.00	9.70	8.70
10	AH2008-2x05P	8.00	11.70	10.70
12	AH2008-2x06P	10.00	13.70	12.70
14	AH2008-2x07P	12.00	15.70	14.70
16	AH2008-2x08P	14.00	17.70	16.70
18	AH2008-2x09P	16.00	19.70	18.70
20	AH2008-2x10P	18.00	21.70	20.70
22	AH2008-2x11P	20.00	23.70	22.70
24	AH2008-2x12P	22.00	25.70	24.70
26	AH2008-2x13P	24.00	27.70	26.70
28	AH2008-2x14P	26.00	29.70	28.70
30	AH2008-2x15P	28.00	31.70	30.70
32	AH2008-2x16P	30.00	33.70	32.70
40	AH2008-2x20P	38.00	41.70	40.70

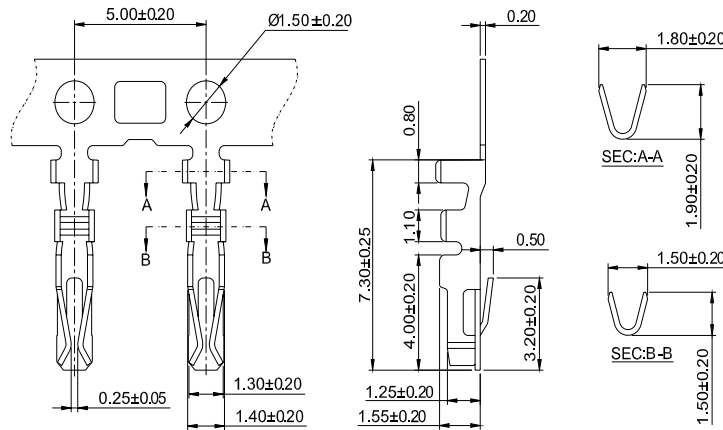


Wire to Board

2.00mm Pitch crimp terminal connector

TERMINAL

- Part NO.: AT2008T-XP-A
- Applicable wire: AWG#22-#30
- Material: Phosphor Bronze
- Finish: Tin Plated or Gold
- Used in AH2008 Dual Row series Housing



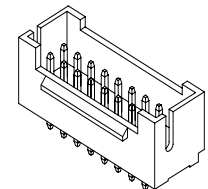
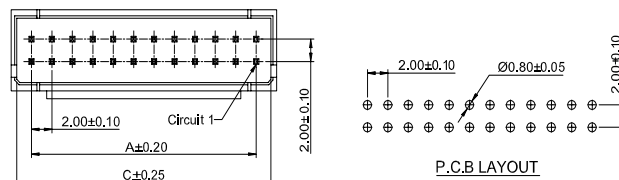
Ordering information & Specifications:

Part NO.	Wire Range	Insulation O.D.	Material	Finish	Qty/reel
AT2008T-TP-A	AWG#22-#30	1.45mm(max)	Phosphor Bronze	Tin over Nickel	10,000 PCS
AT2008T-GP-A	AWG#22-#30	1.45mm(max)	Phosphor Bronze	Gold over Nickel	10,000 PCS

2.00mm Pitch 180° dual row wafer connector

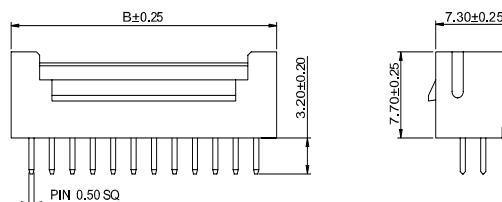
WAFER

- Part NO.: AW2008V-2xNP
- Material: Pin: Brass/Tin over Nickel
- Insulator: Nylon 66, UL94V-0
- Mates with: AH2008 Dual Row series Housing
- Color: Ivory



Ordering Information & Dimensions:

Poles	Part No.	Dimensions (mm)		
		A	B	C
6	AW2008V-2x03P	4.00	8.00	6.80
8	AW2008V-2x04P	6.00	10.00	8.80
10	AW2008V-2x05P	8.00	12.00	10.80
12	AW2008V-2x06P	10.00	14.00	12.80
14	AW2008V-2x07P	12.00	16.00	14.80
16	AW2008V-2x08P	14.00	18.00	16.80
18	AW2008V-2x09P	16.00	20.00	18.80
20	AW2008V-2x10P	18.00	22.00	20.80
22	AW2008V-2x11P	20.00	24.00	22.80
24	AW2008V-2x12P	22.00	26.00	24.80
26	AW2008V-2x13P	24.00	28.00	26.80
28	AW2008V-2x14P	26.00	30.00	28.80
30	AW2008V-2x15P	28.00	32.00	30.80
32	AW2008V-2x16P	30.00	34.00	32.80
40	AW2008V-2x20P	38.00	42.00	40.80

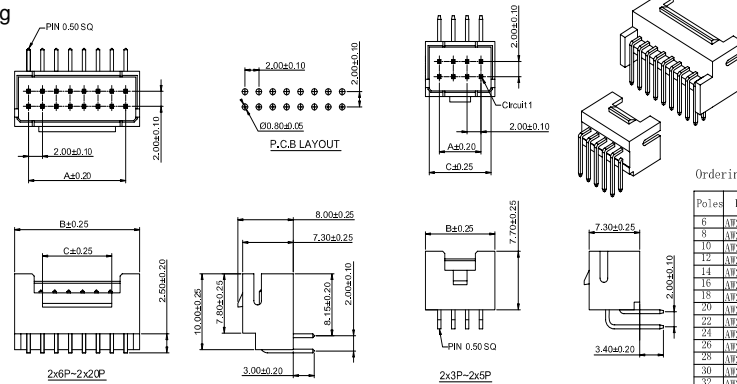


Connectors Expert Around You

2.00mm Pitch 180° dual row wafer connector

WAFER

- Part NO.:AW2008R-2xNP
- Material:Pin:Brass/Tin over Nickel
- Insulator:Nylon 66,UL94V-0
- Mates with:AH2008 Dual Row series Housing
- Color:Ivory



Ordering Information & Dimensions:

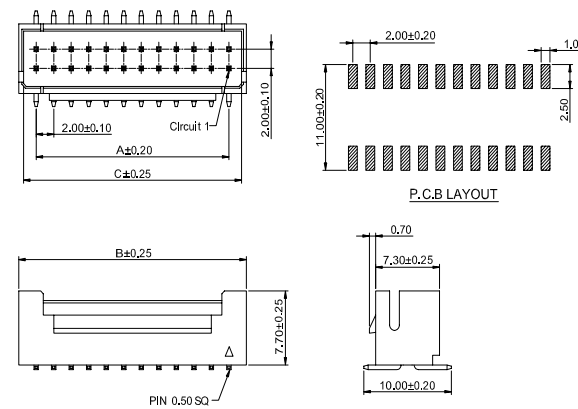
Poles	Part No.	Dimensions(mm)		
		A	B	C
6	AW2008R-2x3P	4.00	8.00	6.80
8	AW2008R-2x4P	6.00	10.00	8.80
10	AW2008R-2x5P	8.00	12.00	10.80
12	AW2008R-2x6P	10.00	14.00	12.80
14	AW2008R-2x7P	12.00	16.00	14.80
16	AW2008R-2x8P	14.00	18.00	16.80
18	AW2008R-2x9P	16.00	20.00	18.80
20	AW2008R-2x10P	18.00	22.00	20.80
22	AW2008R-2x11P	20.00	24.00	22.80
24	AW2008R-2x12P	22.00	26.00	24.80
26	AW2008R-2x13P	24.00	28.00	26.80
28	AW2008R-2x14P	26.00	30.00	28.80
30	AW2008R-2x15P	28.00	32.00	30.80
32	AW2008R-2x16P	30.00	34.00	32.80
40	AW2008R-2x20P	38.00	42.00	40.80

Wire to Board

2.00mm Pitch 180° dual row wafer-smt connector

WAFER

- Part NO.:AW2008V-S-2xNP
- Material:Pin:Brass/Tin over Nickel
- Insulator:Nylon 6T,UL94V-0
- Mates with:AH2008 Dual Row series Housing
- Color:Ivory



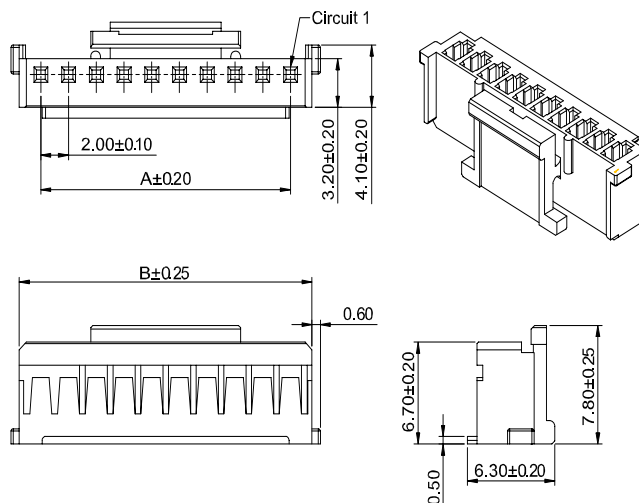
Ordering Information & Dimensions:

Poles	Part No.	Dimensions(mm)		
		A	B	C
6	AW2008V-S-2x03P	4.00	8.00	6.80
8	AW2008V-S-2x04P	6.00	10.00	8.80
10	AW2008V-S-2x05P	8.00	12.00	10.80
12	AW2008V-S-2x06P	10.00	14.00	12.80
14	AW2008V-S-2x07P	12.00	16.00	14.80
16	AW2008V-S-2x08P	14.00	18.00	16.80
18	AW2008V-S-2x09P	16.00	20.00	18.80
20	AW2008V-S-2x10P	18.00	22.00	20.80
22	AW2008V-S-2x11P	20.00	24.00	22.80
24	AW2008V-S-2x12P	22.00	26.00	24.80
26	AW2008V-S-2x13P	24.00	28.00	26.80
28	AW2008V-S-2x14P	26.00	30.00	28.80
30	AW2008V-S-2x15P	28.00	32.00	30.80
32	AW2008V-S-2x16P	30.00	34.00	32.80
40	AW2008V-S-2x20P	38.00	42.00	40.80

2.00mm Pitch housing connector

HOUSING

- Part NO.:AH2008A-NP
- Poles:04-20P
- Suitable:AT2008T-A series Terminal
- Mates with:AW2008VA series Wafer
- Material:Nylon 66,UL94V-0
- Color:Lvory



Ordering Information & Dimensions:

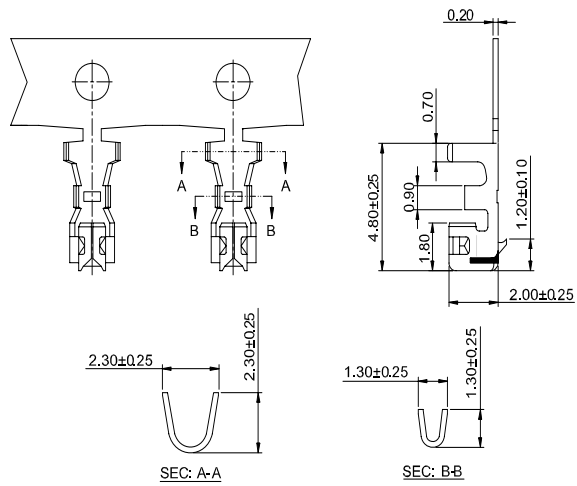
Poles	Part No.	Dimensions(mm)	
		A	B
4	AH2008A-04P	6.00	9.10
5	AH2008A-05P	8.00	11.10
6	AH2008A-06P	10.00	13.10
7	AH2008A-07P	12.00	15.10
8	AH2008A-08P	14.00	17.10
9	AH2008A-09P	16.00	19.10
10	AH2008A-10P	18.00	21.10
11	AH2008A-11P	20.00	23.10
12	AH2008A-12P	22.00	25.10
13	AH2008A-13P	24.00	27.10
14	AH2008A-14P	26.00	29.10
15	AH2008A-15P	28.00	31.10
16	AH2008A-16P	30.00	33.10
17	AH2008A-17P	32.00	35.10
18	AH2008A-18P	34.00	37.10
19	AH2008A-19P	36.00	39.10
20	AH2008A-20P	38.00	41.10

Connectors Expert Around You

2.00mm Pitch crimp terminal connector

TERMINAL

- Part NO.:AT2008T-XP-B
- Applicable wire:AWG#24-#30
- Material:Phosphor Bronze
- Finish:Tin Plated or Gold
- Used in AH2008A Single Row series Housing



Ordering information & Specifications:

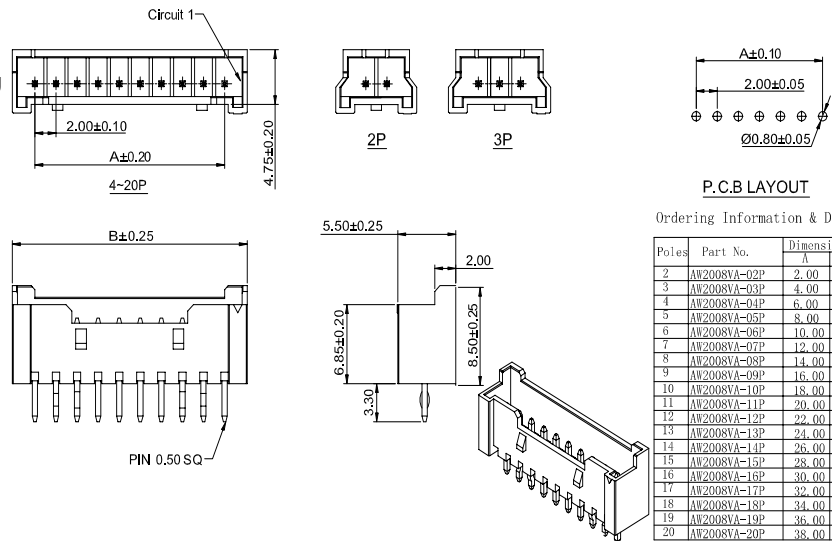
Part NO.	Wire Range	Insulation O.D.	Material	Finish	Qty/reel
AT2008T-TP-B	AWG#24-#30	1.40mm(max)	Phosphor Bronze	Tin over Nickel	10,000 PCS
AT2008T-GP-B	AWG#24-#30	1.40mm(max)	Phosphor Bronze	Gold over Nickel	10,000 PCS

Wire to Board

2.00mm Pitch 180° wafer connector

WAFER

- Part NO.:AW2008VA-NP
- Material:Pin:Brass/Tin over Nickel
- Insulator:Nylon 66,UL94V-0
- Mates with:AH2008A Single Row series Housing
- Color:Ivory



P.C.B LAYOUT

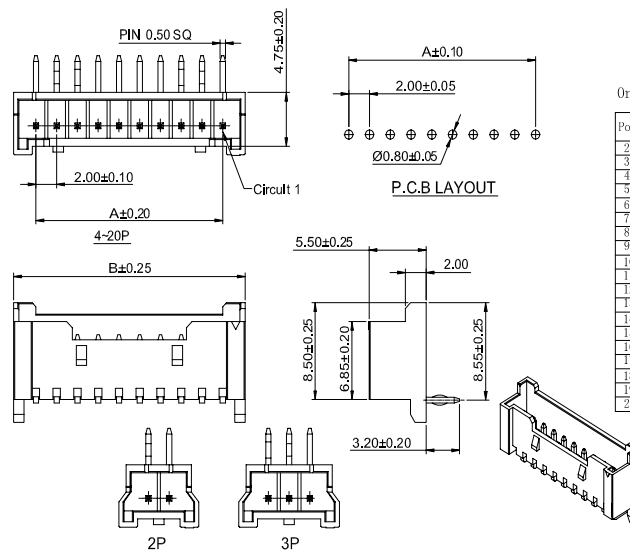
Ordering Information & Dimensions:

Poles	Part No.	Dimensions (mm)	
		A	B
2	AW2008VA-02P	2.00	7.70
3	AW2008VA-03P	4.00	9.70
4	AW2008VA-04P	6.00	10.30
5	AW2008VA-05P	8.00	12.30
6	AW2008VA-06P	10.00	14.30
7	AW2008VA-07P	12.00	16.30
8	AW2008VA-08P	14.00	18.30
9	AW2008VA-09P	16.00	20.30
10	AW2008VA-10P	18.00	22.30
11	AW2008VA-11P	20.00	24.30
12	AW2008VA-12P	22.00	26.30
13	AW2008VA-13P	24.00	28.30
14	AW2008VA-14P	26.00	30.30
15	AW2008VA-15P	28.00	32.30
16	AW2008VA-16P	30.00	34.30
17	AW2008VA-17P	32.00	36.30
18	AW2008VA-18P	34.00	38.30
19	AW2008VA-19P	36.00	40.30
20	AW2008VA-20P	38.00	42.30

2.00mm Pitch 90° wafer connector

WAFER

- Part NO.:AW2008RA-NP
- Material:Pin:Brass/Tin over Nickel
- Insulator:Nylon 66,UL94V-0
- Mates with:AH2008 Single Row series Housing
- Color:Ivory



Ordering Information & Dimensions:

Poles	Part No.	Dimensions (mm)	
		A	B
2	AW2008RA-02P	2.00	7.70
3	AW2008RA-03P	4.00	9.70
4	AW2008RA-04P	6.00	10.30
5	AW2008RA-05P	8.00	12.30
6	AW2008RA-06P	10.00	14.30
7	AW2008RA-07P	12.00	16.30
8	AW2008RA-08P	14.00	18.30
9	AW2008RA-09P	16.00	20.30
10	AW2008RA-10P	18.00	22.30
11	AW2008RA-11P	20.00	24.30
12	AW2008RA-12P	22.00	26.30
13	AW2008RA-13P	24.00	28.30
14	AW2008RA-14P	26.00	30.30
15	AW2008RA-15P	28.00	32.30
16	AW2008RA-16P	30.00	34.30
17	AW2008RA-17P	32.00	36.30
18	AW2008RA-18P	34.00	38.30
19	AW2008RA-19P	36.00	40.30
20	AW2008RA-20P	38.00	42.30