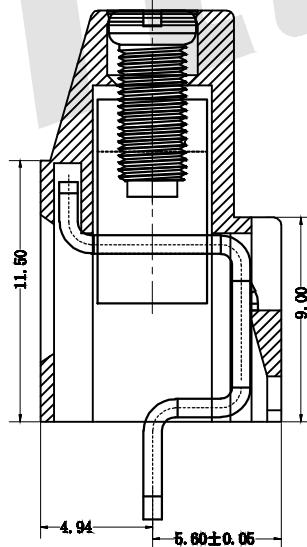
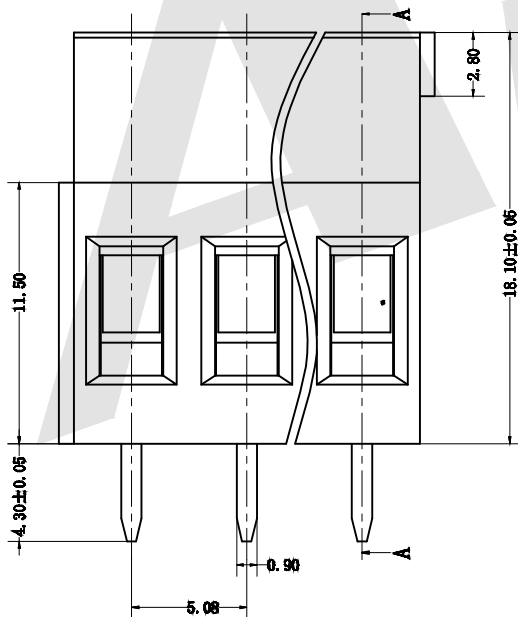
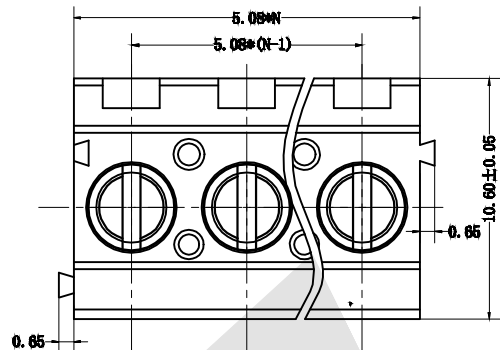


HSF



SPECIFICATION

Voltage Rating (额定电压): 300V

Current Rating (额定电流): 25A

Contact Resistance: 20mΩ

Wire range (使用线径):

24-12AWG 1.5mm

Housing (塑件):

PA66+23%GF, UL94V-0

Terminal (端子):

Brass, Tin-Plated (黄铜, 镀锡)

Screw (螺丝):

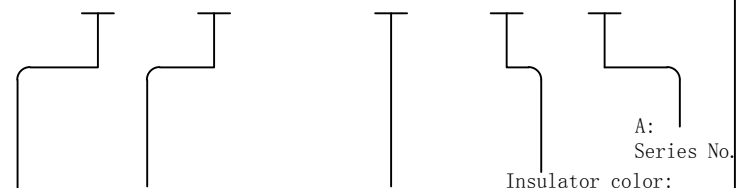
Steel, M3.0 Ni-Plated (钢, 镀镍)

Torque (扭力):

0.5N.m

Ordering Code:

AT129V - 5.08 - XX - X - A



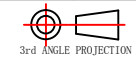
Pitch:
5.08: 5.08mm

Poles:
02: 2 Contacts
03: 3 Contacts
... ..
24: 24 Contacts

Insulator color:
A:Green
B:Blue
C:Black
G:Gray
0:orange

Unless Otherwise specified tolerance
X. ±0.35 X.XX: ±0.20
X.X: ±0.25 X.XXX: ±0.15

SCALE: As Shown UNIT: mm
DRAW: Wu Sai DATE: 22/03/2018
CHECK: BobYang DATE: 22/03/2018



Antenk ANTENK ELECTRONICS CO.,LTD
Http://www.antenk.com
E-mail:sales@antenk.com

TITLE: PCB Screw Terminal Block
Pitch:5.08

DRAWING NO: AT129V-5.08XX X -A
PRODUCT NO: AT129V-5.08XX X -A

| | | | | |
|-----|-------------|--|--|------|
| REV | DESCRIPTION | | | DATE |
| | | | | |
| | | | | |
| | | | | |

Added A to the end of this code number