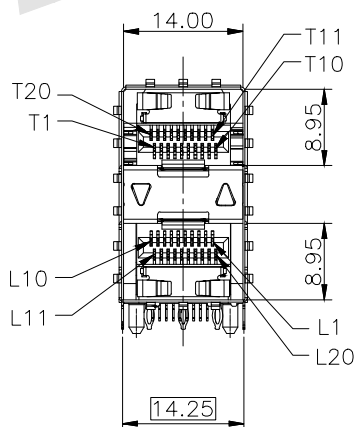
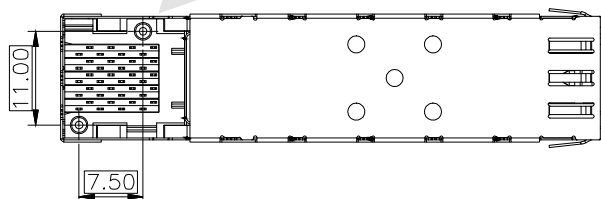
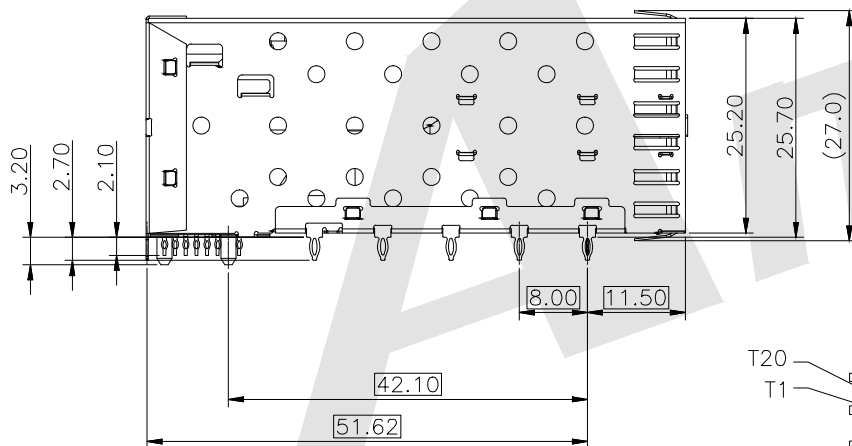
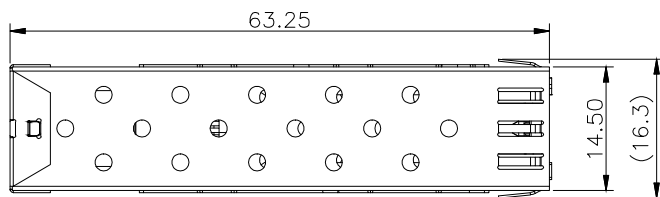


HSF



NOTES:

MATERIAL:

CAGE: NICKEL SILVER, THICKNESS 0.25mm

CONNECTOR:

PLASTIC HOUSING: HIGH TEMPERATURE LCP, UL94V-0.

SPRING: STAINLESS STEEL, THICKNESS 0.20MM

PLATING: 15u"MIN. GOLD ON MATING AREA,  
150u"MIN. MATE TIN ON SOLDER TAILS.

PACKAGING: TRAY PACKAGING.

TEMPERATURE RANGE: -40°C TO +85°C

ORDER CODE:

ATSFP - IN32002-05B

①                      ②

① SFP CAGE

② Series number

Unless Otherwise specified tolerance  
X. ±0.35    X.XX: ±0.20  
X.X: ±0.25    X.XXX: ±0.15

SCALE: As Shown    UNIT: mm  
DRAW Wu Fong Rong    DATE 29/07/2019  
CHECK BobYang    DATE 29/07/2019



ANTENK ELECTRONICS CO., LTD  
Http://www.antenk.com  
E-mail:sales@antenk.com

TITLE:  
SFP 2\*1 CAGE+CONNECTOR WITH 2 LIGHT PIP

DRAWING NO: ATSFP - IN3A002-05B

PRODUCT NO: ATSFP - IN3A002-05B



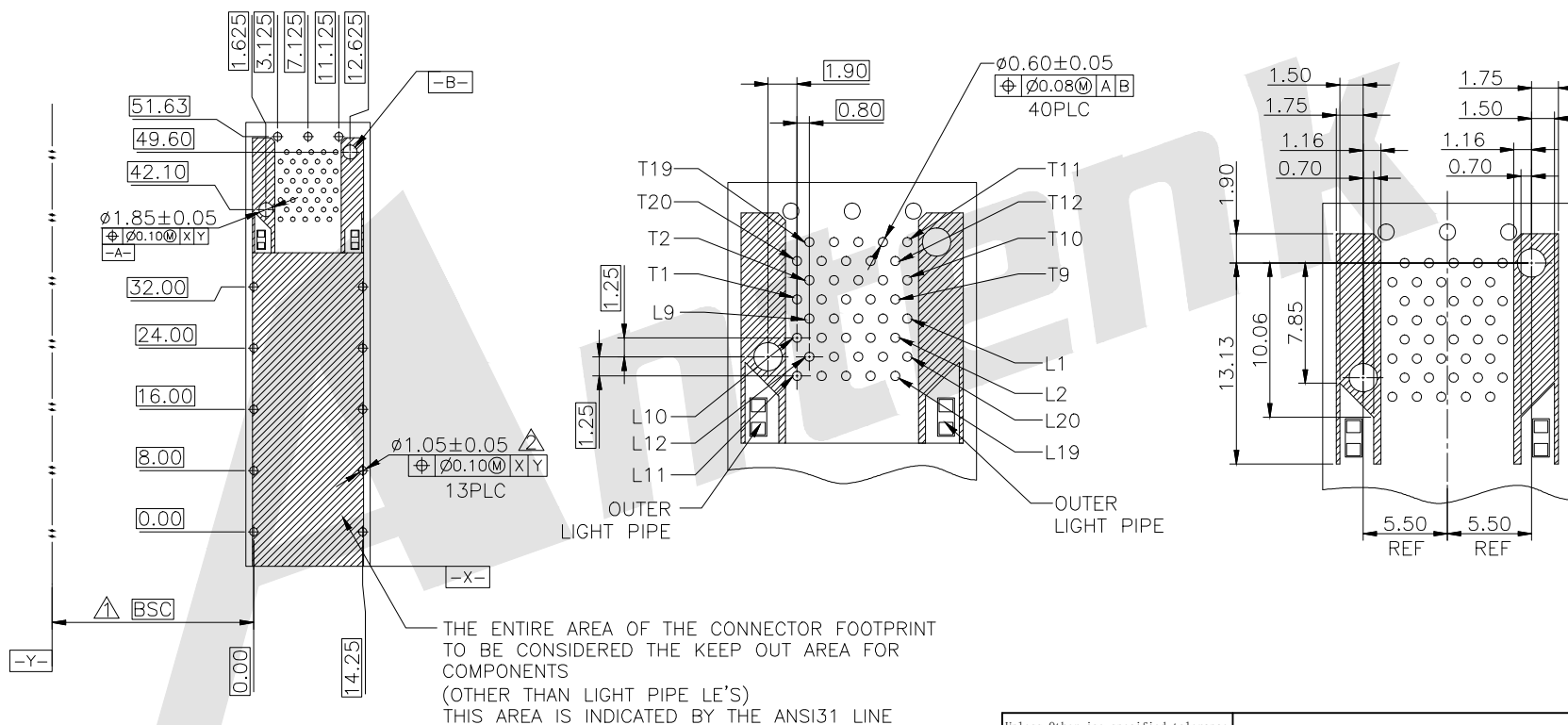
REV	DESCRIPTION	DATE
1		
2		
3		
4		
5		

HSF



NOTES:

1. DATUM AND BASIC DIMENSIONS ESTABLISHED BY CUSTOMER.
2. 1.05 mm DIAMETER HOLES ARE CHASSIS GROUND .



ECOMMENDED PCB CONFIGURATION

Unless Otherwise specified tolerance  
 X.  $\pm 0.35$  X.XX:  $\pm 0.20$   
 X.X:  $\pm 0.25$  X.XXX:  $\pm 0.15$

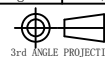


ANTENK ELECTRONICS CO., LTD  
 Http://www.antenk.com  
 E-mail:sales@antenk.com

SCALE: As Shown UNIT: mm  
 DRAW: Wu Feng Rong DATE: 29/07/2019  
 CHECK: BobYang DATE: 29/07/2019

TITLE:  
 SFP 2\*1 CAGE+CONNECTORWITH 2 LIGHT PIP

DRAWING NO: ATSFP - IN3A002-05B  
 PRODUCT NO: ATSFP - IN3A002-05B

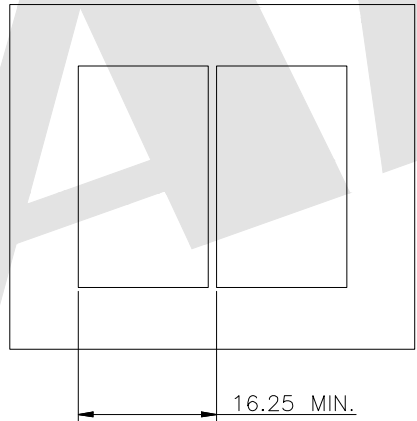
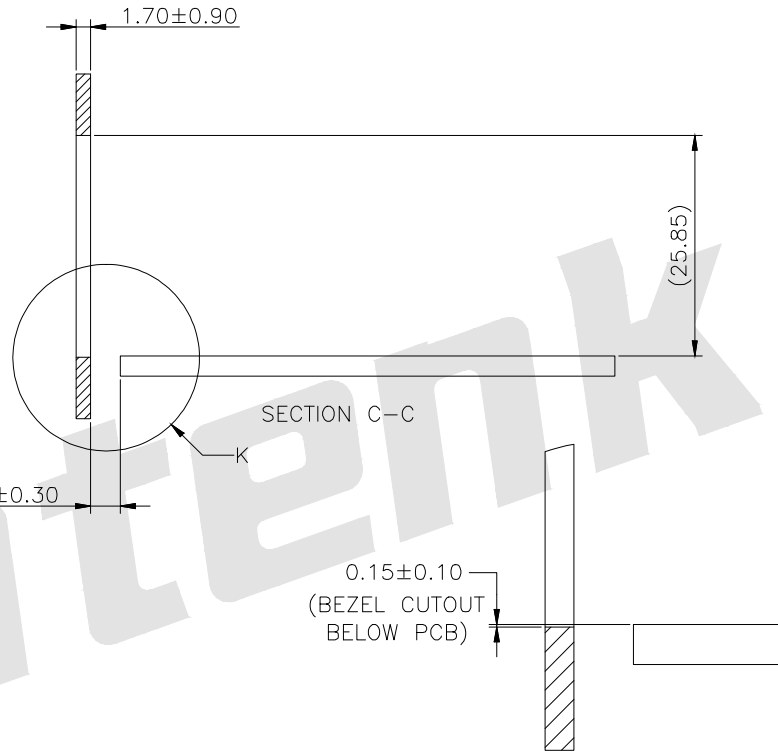
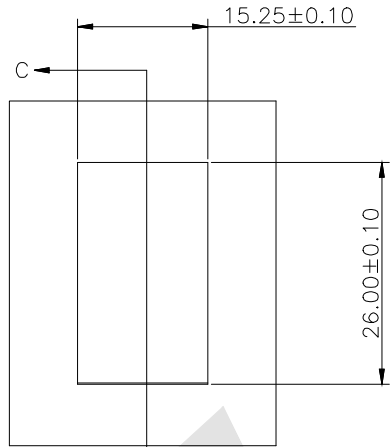


REV	DESCRIPTION	DATE
1		
2		
3		
4		
5		

HSF



ROHS



RECOMMENDED BEZEL DESIGN

DETAIL K  
2:1

Unless Otherwise specified tolerance  
 X. ±0.35 X.XX: ±0.20  
 X.X: ±0.25 X.XXX: ±0.15



ANTENK ELECTRONICS CO., LTD  
[Http://www.antenk.com](http://www.antenk.com)  
 E-mail:sales@antenk.com

SCALE: As Shown	UNIT: mm
DRAW Wu Fong Rong	DATE 29/07/2019
CHECK BobYang	DATE 29/07/2019

TITLE:  
SFP 2\*1 CAGE+CONNECTORWITH 2 LIGHT PIP

DRAWING NO: ATSPF - 1N3A002-05B  
 PRODUCT NO: ATSPF - 1N3A002-05B



REV	DESCRIPTION	DATE