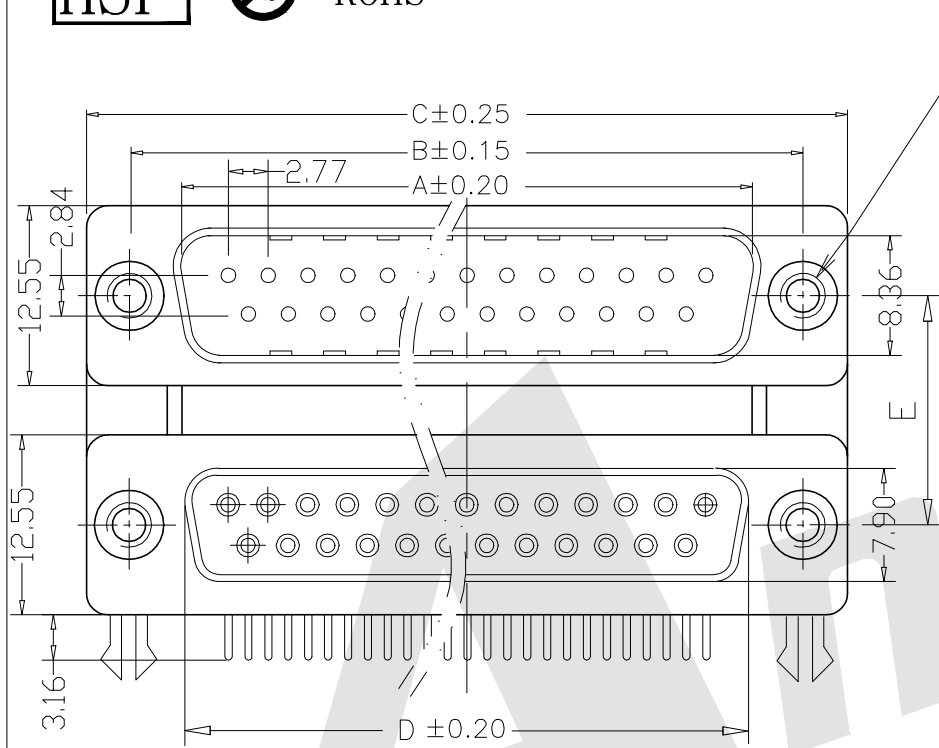


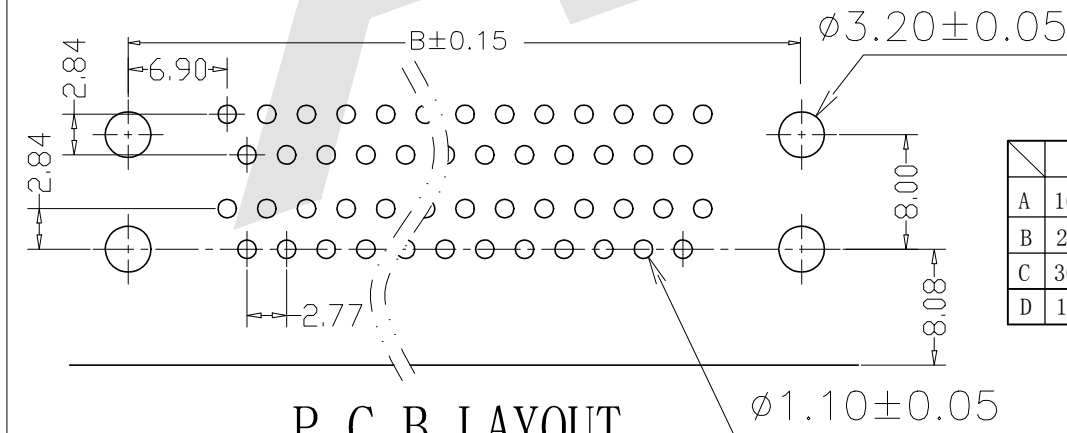
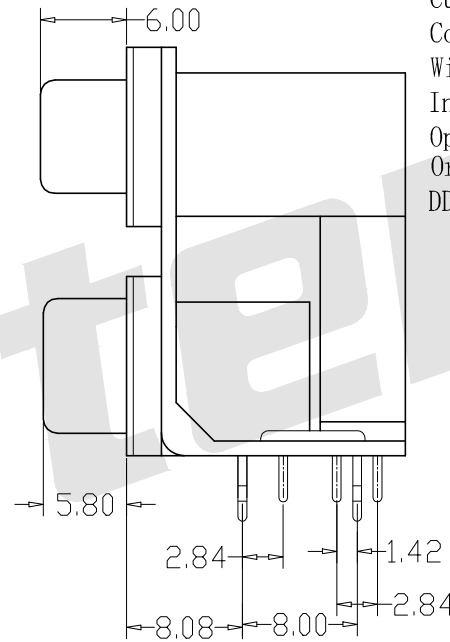
HSF



RoHS



#4-40 UNC



P. C. B LAYOUT

	P1	P2	P3	P4
A	16.92	25.25	38.96	55.42
B	24.99	33.32	47.04	63.50
C	30.80	39.10	53.00	69.30
D	16.33	24.66	38.38	54.84

**Material:**

Housing: Temperature Thermoplastics, PBT+G.F UL 94V-0  
 Contact: Brass or Bronze  
 Shell: Steel Nickel Plating All Area

**Electical Characteristics:**

Current Rating: 5A  
 Contact Resistance: 30 milliohms Max  
 Withstanding Voltage: 1000V AC For 1 Minute  
 Insulation Resistance: 5000 Megohms Min  
 Operating Temperature: -55° C to +105° C  
 Ordering Code:

DDR01 - MF - X - X - X - B - S

① ② ③ ④ ⑤ ⑥ ⑦

- ① Dual Port Angle DIP
- ② Contact Type:  
MF: Male TO Female
- ③ Contact NO. :  
P1=09 TO 09 P2=15 TO 15  
P3=25 TO 25 P4=37 TO 37
- ④ Row Spacing:  
A: Dim.E=15.88mm  
B: Dim.E=19.05mm  
C: Dim.E=22.86mm
- ⑤ Other Option:  
C: Riveted ground hooks with #4-40UNC Open  
S1: Riveted Ground Hooks Pre-Loaded #4-40UNC Hex screws 4.8mm  
S2: Piveted Ground Hooks Pre-Loaded #4-40UNC Hex screws 5.8mm
- ⑥ Color Code:  
B: Black L: Blue  
W: White G: Grey
- ⑦ Contact Plating  
S: Selective Gold  
S1: Selective 3u" Gold  
S2: Selective 5u" Gold  
S3: Selective 10u" Gold  
S4: Selective 15u" Gold  
S5: Selective 30u" Gold  
G0: Gold flash  
G1: 3u" Gold over  
G2: 5u" Gold over  
G3: 10u" Gold over  
G4: 15u" Gold over  
G5: 30u" Gold over

Unless Otherwise specified tolerance  
 X. ±0.35 X.XX: ±0.20  
 X.X: ±0.25 X.XXX: ±0.15



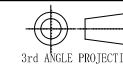
ANTENK ELECTRONICS CO., LTD  
[Http://www.antenk.com](http://www.antenk.com)  
 E-mail: sales@antenk.com

SCALE:	UNIT:
As Shown	mm
DRAW Wu Feng Rong	DATE 05/08/2019
CHECK BobYang	DATE 05/08/2019

TITLE:  
D-SUB P.C.B Dual Port Right Angle Male TO Female (stamped Pin)

DRAWING NO: DDR01-MFXXXXX  
 PRODUCT NO: DDR01-MFXXXXX

REV	DESCRIPTION	DATE
	Revise code number S1,S2 option	2019.08.05



3rd ANGLE PROJECTION