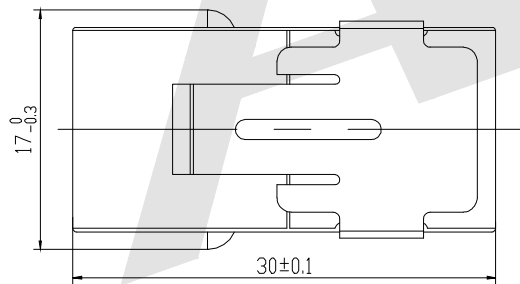
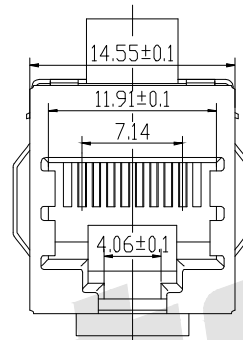
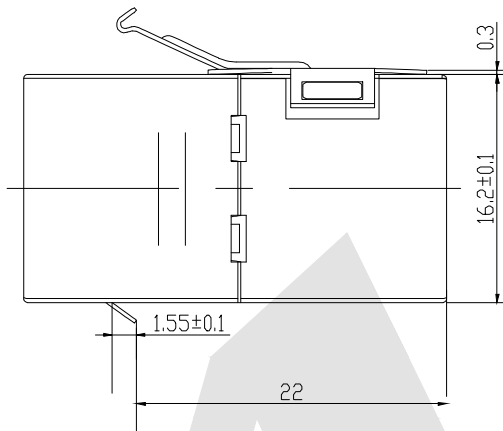


HSF



**NOTE:**

**ELECTRICAL:**

- 1.VOLTAGE RATING:125 VAC RMS
- 2.CURRENT RATING:1.5AMP
- 3.CONTACT RESISTANCE:100MILLIONHMS MAX
- 4.INSULATION RESISTANCE:1000MEGOHMS MI @500 VDC
- 5.DIELECTRIC STRENGTH:750 VAC RMS 60Hz,1MIN

**ENVIRONMENTAL:**

- 1.STORAGE: -40℃ TO +85℃
- 2.OPERATION:0℃ TO +70℃

CONFORM TO TIA/EIA 568 B.2-1

MATES WITH MODULAR PLUG CONFORMING TO FCC PART 68,SUBPART F

**MECHANICAL:**

- 1.HOUSING MATERIAL:PC UL94V-0
- 2.INSERT MATERIAL:PBT+20%GF UL94V-0
- 3.PCB MATERIAL:FR-4 THINKNESS:1.6mm
- 4.CONTACT MATERIAL:PHOSPHOR BRONZE STAMP  
PIN T=0.35mm
- 5.IDC CONTACT MATERIAL:PHOSPHOR BRONZE  
T=0.50mm WITH SILVER OR TIN OR NICKEL PLATING
- 6.WIRE :AWG 24~26

**Ordering Code:**

RJKS - 002  
①                      ②

① Series:Keystone Jacks

② Serial number:

Unless Otherwise specified tolerance  
X. ±0.35    X.XX: ±0.20  
X.X: ±0.25    X.XXX: ±0.15



ANTENK ELECTRONICS CO.,LTD  
Http://www.antenk.com  
E-mail:sales@antenk.com

SCALE: As Shown    UNIT: mm

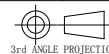
DRAW Wu Feng Rong    DATE 22/03/2018

CHECK BobYang    DATE 22/03/2018

TITLE: CAT5E COUPLE KEYSTONE

DRAWING NO: RJKS-002

PRODUCT NO: RJKS-002



REV	DESCRIPTION	DATE