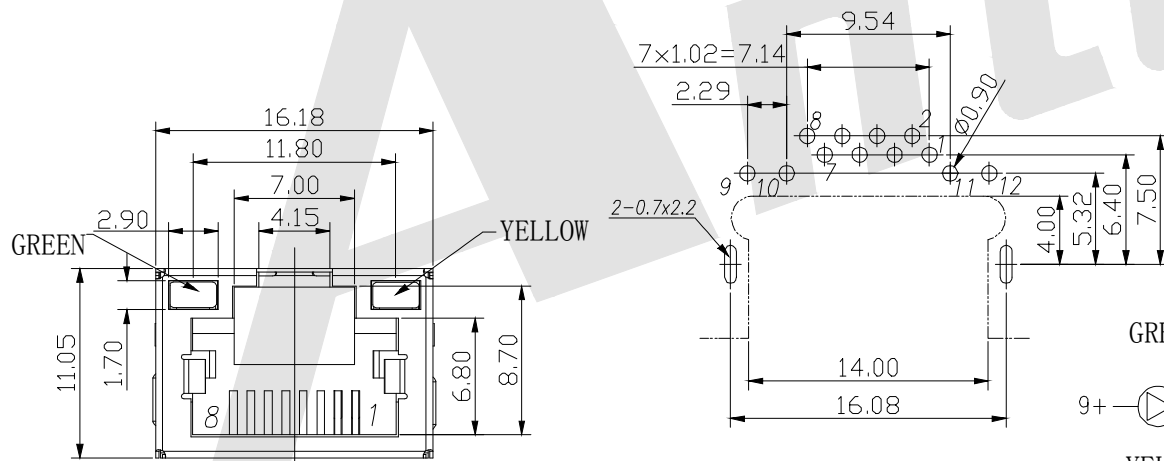
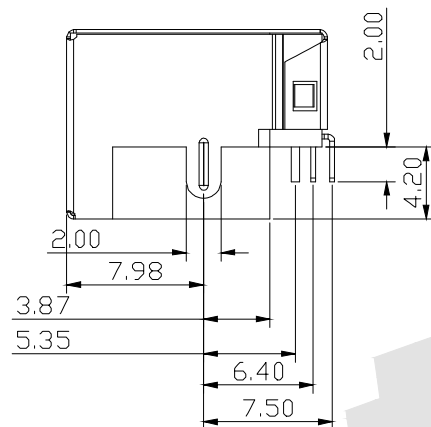
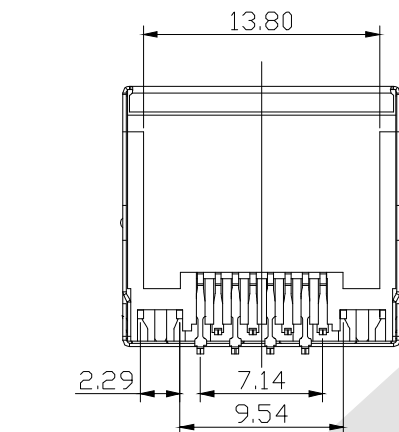
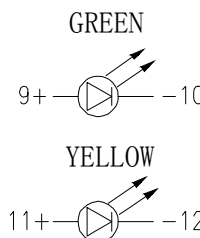


HSF



Recommend PCB Layout
(Jack Top View)
Tolerance: ±0.05mm



- HOUSING MATERIAL: GLASS FILLED POLYESTER UL94V-0
- CONTACT MATERIAL: COPPER ALLOY 0.35mm MIN THICKNESS
- PLATING: 1, 3, 5, 15, 30μ" GOLD PLATED ON CONTACT AREA 100μ" MIN MATIE TIN PLATED ON SOLDERING AREA 50μ" MIN. NICKEL PLATED OVERALL
- SHELL: COPPER ALLOY 0.25MM THICKNESS 30μ" MIN . NICKEL PLATED OVERALL

ELECTRICAL:

- VOLTAGE RATING: 125V AC RMS
- CURRENT RAIING: 1.5AMP
- CONTACT RESISTANCE: 30 MILLIOHMS MAX
- INSULATION RESISTANCE: 500 MEGOHMS MIN @500V DC
- DIELECTRIC WITHSTANDING RESISTANCE: 1000V AC RMS 50HZ 1MIN

MECHANICAL:

- DURRABILITY: 750 CYCLES MIN
- PCB RETENTION PER-SOLDER: 1LB MIN

ENVIRONMENTAL:

- STORAGE: -40°C ~ +85°C
- OPERATION: 0°C ~ +70°C

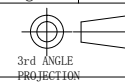
Order Code:

ATRJ5837 - 8P - 8C - X - A - X
① ② ③ ④ ⑤ ⑥

- ① SERIES NO:
- ② NUMBER OF POSITIONS (8P, 6P, 4P)
- ③ NUMBER OF CONTACTS (8C, 6C, 4C)
- ④ Contact Plating
G0: Gold flash
G1: 3U_s Gold
G2: 5U_s Gold
- ⑤ Shield
A: W/O Shield
B: Half Shield
C: Shield W/Eml
D: Shield W/O Eml
- ⑥ LED STYLE:
A: LEFT YELLOW/RIGHT GREEN
B: LEFT GREEN/RIGHT YELLOW
C: LEFT RED/RIGHT GREEN
D: LEFT GREEN/RIGHT RED
E: LEFT YELLOW/RIGHT YELLOW
F: LEFT GREEN/RIGHT GREEN

Unless Otherwise specified tolerance
X. ±0.35 X.XX: ±0.20
X.X: ±0.25 X.XXX: ±0.15

SCALE: As Shown UNIT: mm
DRAW Wu Feng Rong DATE 22/03/2018
CHECK BobYang DATE 22/03/2018



Antenk ANTENK ELECTRONICS CO., LTD
Http://www.antenk.com
E-mail:sales@antenk.com

TITLE: RJ45 8P8C SINK IN EMI Type

DRAWING NO: ATRJ5837-8P8C-X-A-X
PRODUCT NO: ATRJ5837-8P8C-X-A-X

REV	DESCRIPTION	DATE
1		
2		
3		
4		
5		