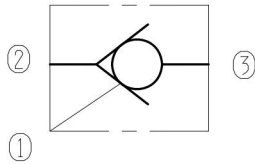


液控单向阀 (锥阀型)

Hydraulic Operated Check Valves (Poppet-type)



YDF04-00/X.Y.Z



技术参数 Specifications:

最高工作压力(Max working Pressure): 240bar

可通过最大流量(Flow Max): 18L/min

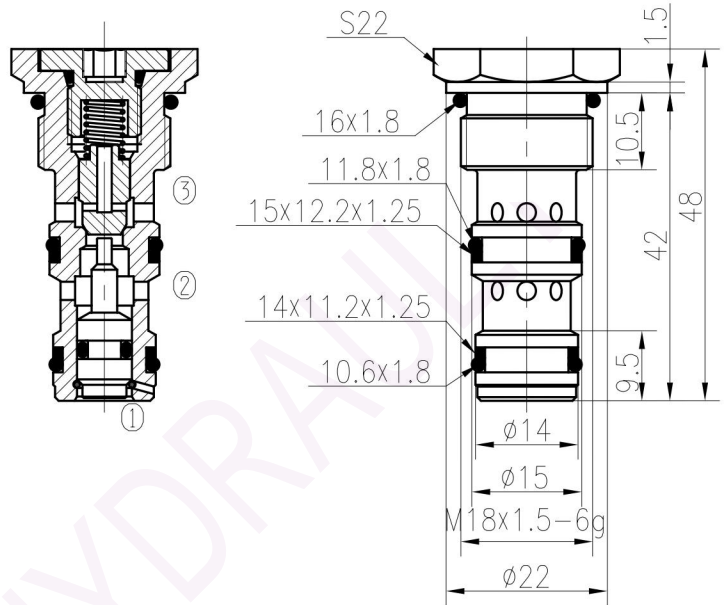
内泄漏量③to②(Internal Leakage):
 $\leq 0.3\text{ml/min}$ at 210bar

过滤精度(Filtration Of Oil): 25 μm or better

使用温度(Temperature): -30~+100 $^{\circ}\text{C}$ (丁腈橡胶)
 (Standard Buna Seals)

插孔(Cavity): T4-S2S(See Page 7.1.4)

安装扭矩(Installation torque): 24.5~27.2Nm



此阀使用时, 允许液流以很低的压力降从②口到③口, 同时阻止液流从③口到②口。

The valve allows flow from ② to ③ with very low pressure drop, while blocks flow from ③ to ②.

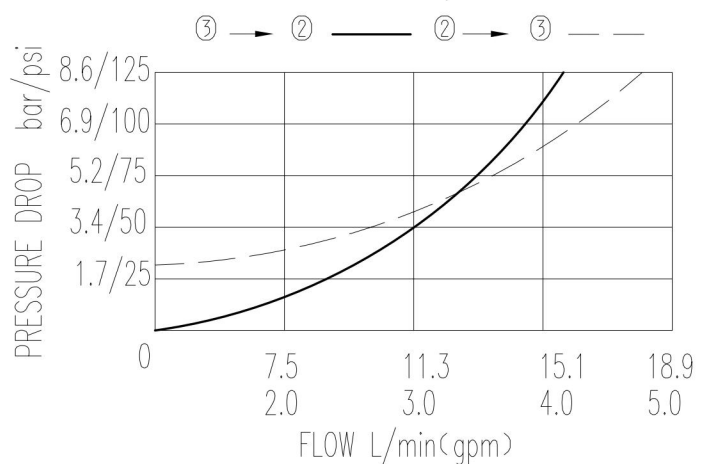
当①口压力足够大并克服弹簧力和液压力后, 允许液流从③口到②口流动。

The valve blocks flow from ③ to ② until sufficient pressure is applied at ①.

此阀控制比为2.2:1, 即①口压力达到③口压力的1/2.2时,

允许液流从③口到②口流动。The valve has a 2.2:1 pilot ratio, meaning that at least 1/2.2 of the load pressure held at ③ is required at ① to open the valve.

32 cST Oil/45 $^{\circ}\text{C}$



X	控制比(Pilot Ratio)	Y	密封材质(SEALS)
05	2.2:1	N	丁腈橡胶(Buna)
10	2.8:1	V	氟橡胶(Fluor.)

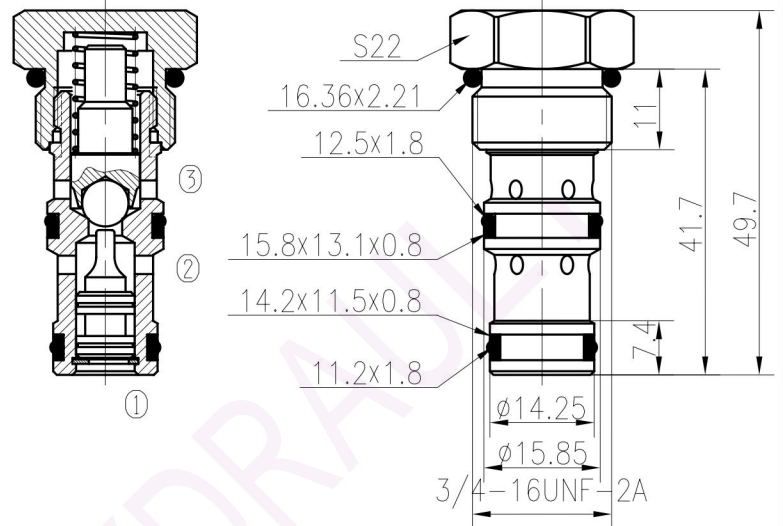
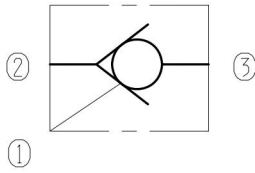
Z	弹簧规格 (SPRINGS)	
	开启压力 Cracking Pressure bar	开启压力 Cracking Pressure bar
05	1	
10	2	
15	6	

液控单向阀 (钢球型) Hydraulic Operated Check Valves (Ball-type)



YDF08-01/X.Y.Z

(替代原型号 YDF06-01)



技术参数 Specifications:

最高工作压力(Max working Pressure):	240bar
可通过最大流量(Flow Max):	30L/min
内泄漏量②to③(Internal Leakage):	<0.3ml/min at 210bar
过滤精度(Filtration Of Oil):	25μm or better
使用温度(Temperature):	-30~+100℃(丁腈橡胶) (Standard Buna Seals)
插孔(Cavity):	T4-2(See Page 7.1.1)
安装扭矩(Installation torque):	24.5~27.2Nm
标准阀块型号:	T4-21*/23*/24*/26*
Standard Block Model	See Page 1.5.2

此阀使用时, 允许液流以很低的压力降从②口到③口, 同时阻止液流从③口到②口。

The valve allows flow from ② to ③ with very low pressure drop, while blocks flow from ③ to ②.

当①口压力足够大并克服弹簧力和液压力后, 允许液流从③口到②口流动。

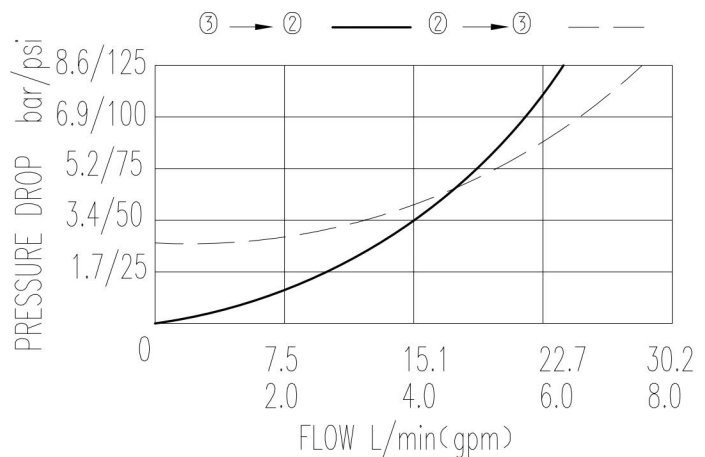
The valve blocks flow from ③ to ② until sufficient pressure is applied at ①.

此阀控制比为3:1, 即①口压力达到③口压力的1/3时,

允许液流从③口到②口流动。The valve has a 3:1 pilot

ratio, meaning that at least 1/3 of the load pressure held at ③ is required at ① to open the valve.

32 cST Oil/45°C



弹簧规格 (SPRINGS)

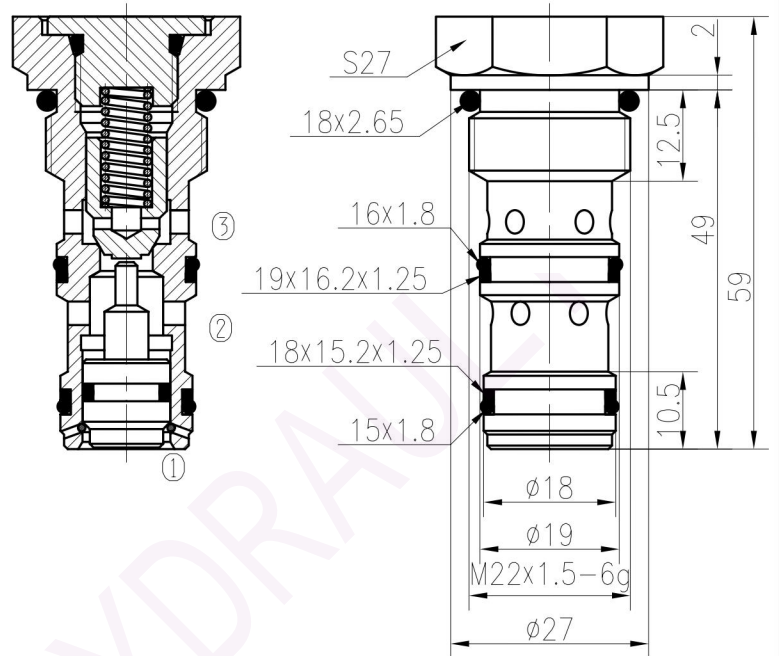
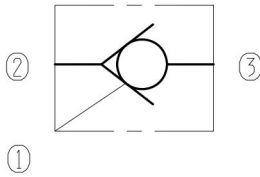
X	阀块油口 (PORTING)	Y	密封材质 (SEALS)	Z	开启压力 (Cracking Pressure)	
					bar	bar
0	Cartridge Only	N	丁腈橡胶 (Buna)	05	2.5	
4G	G1/4	V	氟橡胶 (Fluor.)			
8G	G3/8					
4T	SAE4					
6T	SAE6					

液控单向阀 (锥阀型) Hydraulic Operated Check Valves (Poppet-type)



YDF10-00/X.Y.Z

(替代原型号YDF06-00)



技术参数 Specifications:

最高工作压力(Max working Pressure):	240bar
可通过最大流量(Flow Max):	45L/min
内泄漏量③to②(Internal Leakage):	≤0.3ml/min at 210bar
过滤精度(Filtration Of Oil):	25μm or better
使用温度(Temperature):	-30~+100℃(丁腈橡胶) (Standard Buna Seals)
插孔(Cavity):	T5-S2(See Page 7.1.5)
安装扭矩(Installation torque):	33.9~36.7Nm

此阀使用时, 允许液流以很低的压力降从②口到③口, 同时阻止液流从③口到②口。

The valve allows flow from ② to ③ with very low pressure drop, while blocks flow from ③ to ②.

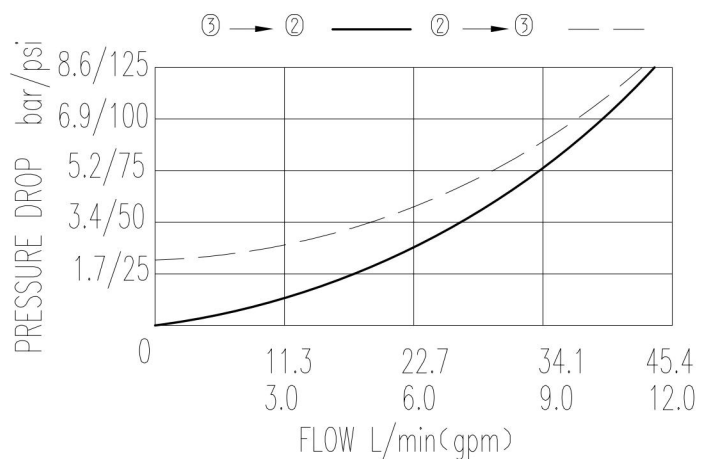
当①口压力足够大并克服弹簧力和液压力后, 允许液流从③口到②口流动。

The valve blocks flow from ③ to ② until sufficient pressure is applied at ①.

此阀控制比为2.8:1, 即①口压力达到③口压力的1/2.8时,

允许液流从③口到②口流动。The valve has a 2.8:1 pilot ratio, meaning that at least 1/2.8 of the load pressure held at ③ is required at ① to open the valve.

32 cST Oil/45°C



X	阀块油口(PORTING)	Y	密封材质(SEALS)
0	Cartridge Only	N	丁腈橡胶(Buna)
		V	氟橡胶(Fluor.)

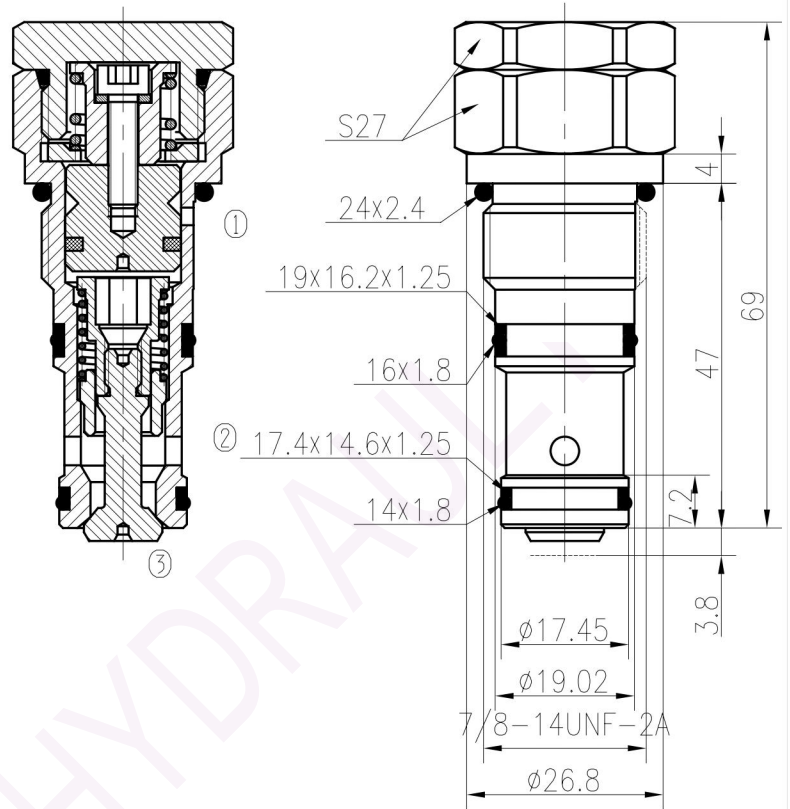
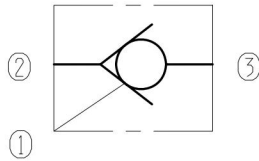
Z	弹簧规格 (SPRINGS)	
	开启压力 Cracking Pressure bar	开启压力 Cracking Pressure bar
05	2	
10	4.8	

液控单向阀 (锥阀型)

Hydraulic Operated Check Valves (Poppet-type)



YDF10-01/X.Y.Z



技术参数 Specifications:

最高工作压力(Max working Pressure): 350bar

可通过最大流量(Flow Max): 75L/min

内泄漏量②to③(Internal Leakage):
 $\leq 0.3\text{ml/min}$ at 210bar

过滤精度(Filtration Of Oil): 25 μm or better

使用温度(Temperature): -30~+100 $^{\circ}\text{C}$ (丁腈橡胶)
 (Standard Buna Seals)

插孔(Cavity): T-3304 (See Page 7.1.16)

安装扭矩(Installation torque): 33.9~36.7Nm

此阀使用时, 允许液流以很低的压力降从②口到③口, 同时阻止液流从③口到②口。

The valve allows flow from ② to ③ with very low pressure drop, while blocks flow from ③ to ②.

当①口压力足够大并克服弹簧力和液压力后, 允许液流从③口到②口流动。

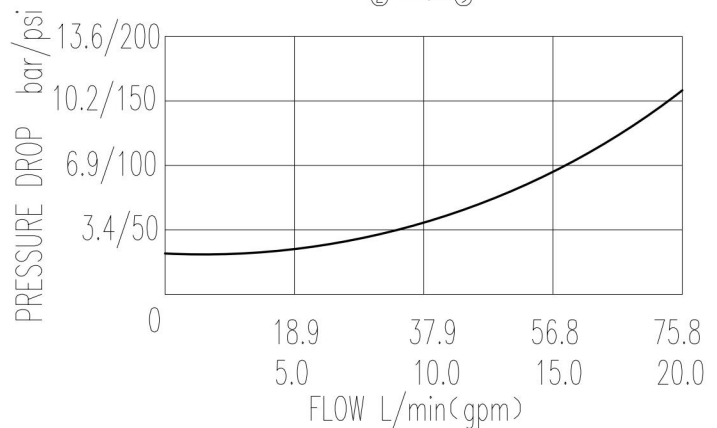
The valve blocks flow from ③ to ② until sufficient pressure is applied at ①.

此阀控制比为3.0:1, 即①口压力达到③口压力的1/3.0时,

允许液流从③口到②口流动。The valve has a 3.0:1 pilot ratio, meaning that at least 1/3.0 of the load pressure held at ③ is required at ① to open the valve.

32 cST Oil/45 $^{\circ}\text{C}$

② → ③



X	阀块油口(PORTING)	Y	密封材质(SEALS)
0	Cartridge Only	N	丁腈橡胶(Buna)
		V	氟橡胶(Fluor.)

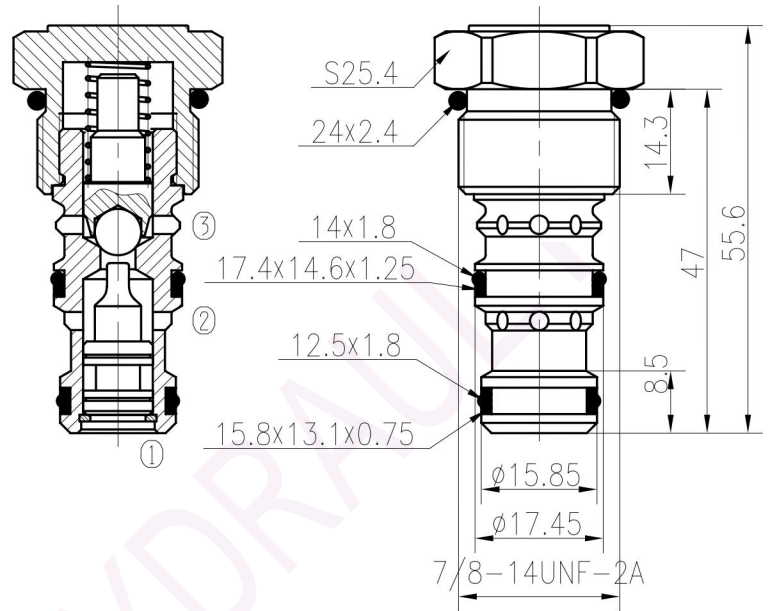
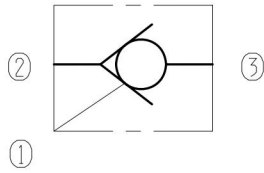
Z	弹簧规格 (SPRINGS)	
	开启压力 Cracking Pressure bar	开启压力 Cracking Pressure bar
05	0.8	
10	2	
15	4	

液控单向阀 (钢球型) Hydraulic Operated Check Valves (Ball-type)



YDF10-02/X.Y.Z

(替代原型号YDF06-02)



技术参数 Specifications:

最高工作压力(Max working Pressure): 240bar

可通过最大流量(Flow Max): 45L/min

内泄漏量②to③(Internal Leakage):
 $\leq 0.3\text{ml/min}$ at 210bar

过滤精度(Filtration Of Oil): 25 μm or better

使用温度(Temperature): -30~+100 $^{\circ}\text{C}$ (丁腈橡胶)
 (Standard Buna Seals)

插孔(Cavity): T5-2(See Page 7.1.2)

安装扭矩(Installation torque): 33.9~36.7Nm

标准阀块型号: T5-21*/23*/24*/26*

Standard Block Model See Page 1.5.2

此阀使用时, 允许液流以很低的压力降从②口到③口, 同时阻止液流从③口到②口。

The valve allows flow from ② to ③ with very low pressure drop, while blocks flow from ③ to ②.

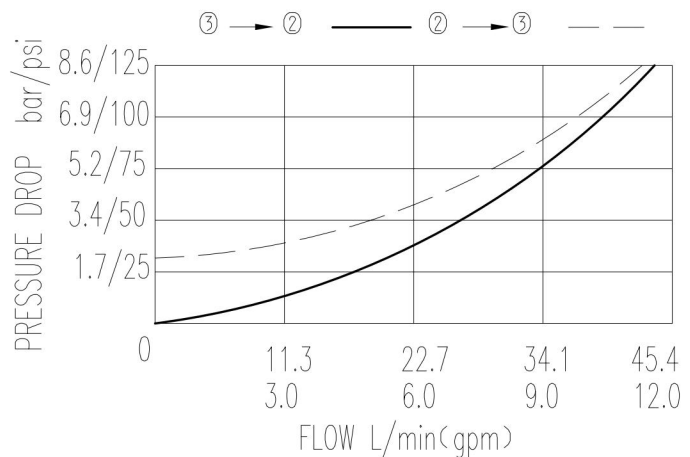
当①口压力足够大并克服弹簧力和液压力后, 允许液流从③口到②口流动。

The valve blocks flow from ③ to ② until sufficient pressure is applied at ①.

此阀控制比为3.9:1, 即①口压力达到③口压力的1/3.9时,

允许液流从③口到②口流动。The valve has a 3.9:1 pilot ratio, meaning that at least 1/3.9 of the load pressure held at ③ is required at ① to open the valve.

32 cST Oil/45 $^{\circ}\text{C}$



X	阀块油口(PORTING)	Y	密封材质(SEALS)
0	Cartridge Only	N	丁腈橡胶(Buna)
4G	G1/4	V	氟橡胶(Fluor.)
8G	G3/8		
4T	SAE4		
6T	SAE6		

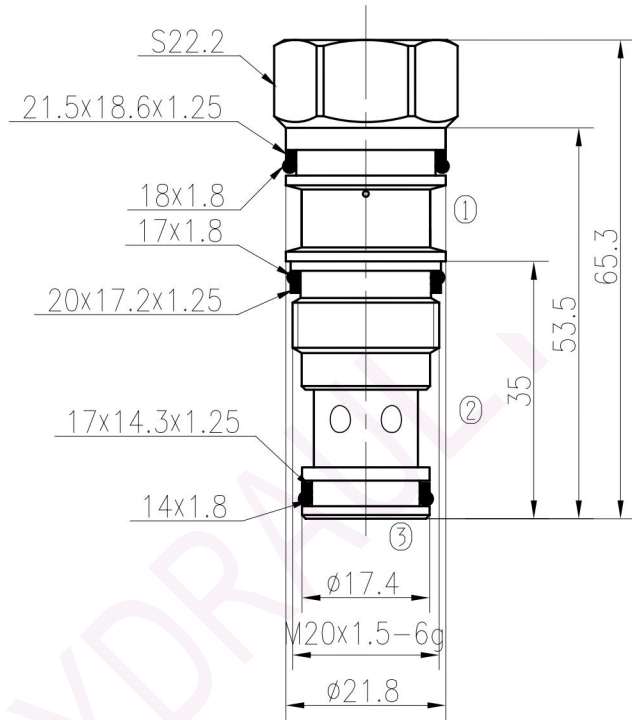
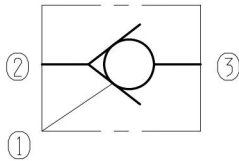
Z	弹簧规格 (SPRINGS)	
	开启压力 Cracking Pressure bar	开启压力 Cracking Pressure bar
05	2	

液控单向阀 (锥阀型)

Hydraulic Operated Check Valves (Poppet-type)



YDF10-03/X.Y.Z



技术参数 Specifications:

最高工作压力(Max working Pressure): 350bar

可通过最大流量(Flow Max): 60L/min

内泄漏量②to③(Internal Leakage): $\leq 0.3\text{ml/min}$ at 210bar

过滤精度(Filtration Of Oil): 25 μm or better

使用温度(Temperature): -30~+100 $^{\circ}\text{C}$ (丁腈橡胶)
(Standard Buna Seals)

插孔(Cavity): T-11A(See Page 7.1.17)

安装扭矩(Installation torque): 45~50Nm

此阀使用时, 允许液流以很低的压力降从②口到③口, 同时阻止液流从③口到②口。

The valve allows flow from ② to ③ with very low pressure drop, while blocks flow from ③ to ②.

当①口压力足够大并克服弹簧力和液压力后, 允许液流从③口到②口流动。

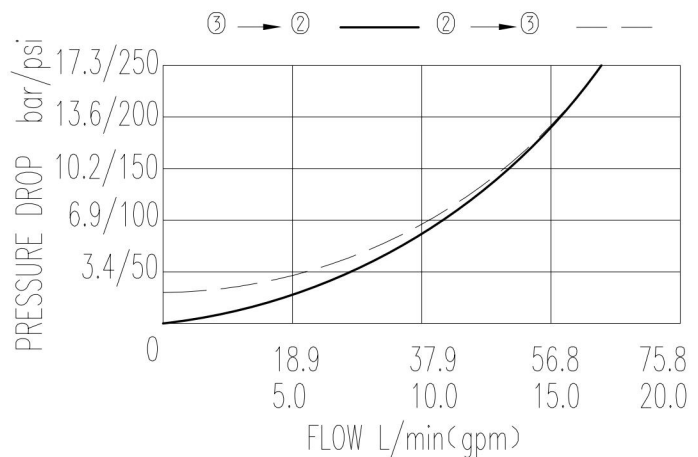
The valve blocks flow from ③ to ② until sufficient pressure is applied at ①.

此阀控制比为3:1, 即①口压力达到③口压力的1/3时,

允许液流从③口到②口流动。The valve has a 3:1 pilot

ratio, meaning that at least 1/3 of the load pressure held at ③ is required at ① to open the valve.

32 cST Oil/45 $^{\circ}\text{C}$



X	阀块油口(PORTING)	Y	密封材质(SEALS)
---	---------------	---	-------------

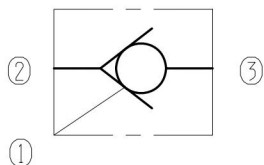
0	Cartridge Only	N	丁腈橡胶(Buna)
---	----------------	---	------------

V	氟橡胶(Fluor.)
---	-------------

弹簧规格 (SPRINGS)

Z	开启压力 Cracking Pressure bar	开启压力 Cracking Pressure bar
05	2	
10	7	

YDF12-00/X.Y.Z



技术参数 Specifications:

最高工作压力(Max working Pressure): 315bar

可通过最大流量(Flow Max): 200L/min

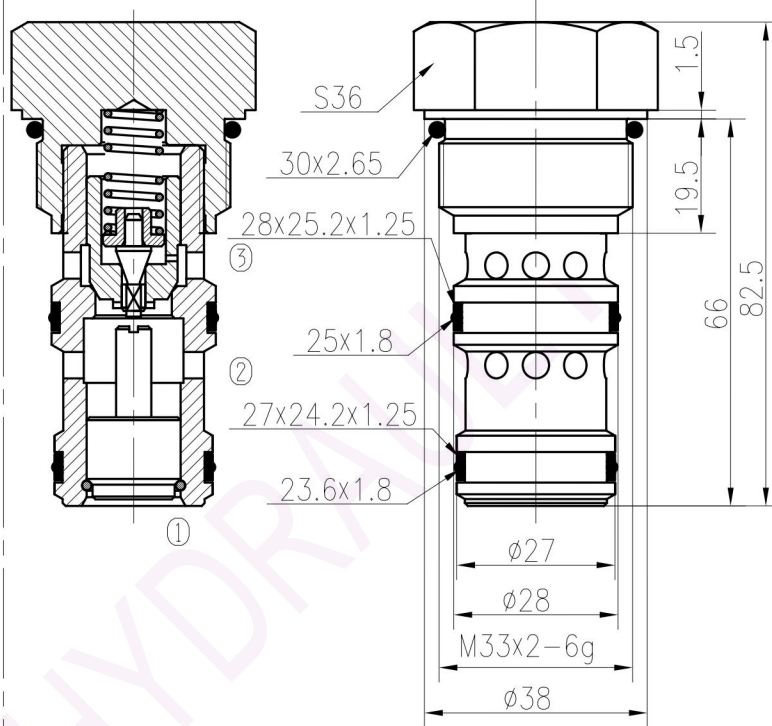
内泄漏量③to②(Internal Leakage): $\lt; 0.3\text{ml/min}$ at 210bar

过滤精度(Filtration Of Oil): 25 μm or better

使用温度(Temperature): -30~+100 $^{\circ}\text{C}$ (丁腈橡胶)
(Standard Buna Seals)

插孔(Cavity): T7-S2(See Page 7.1.5)

安装扭矩(Installation torque): 62.6~73.4Nm



此阀使用时, 允许液流以很低的压力降从②口到③口, 同时阻止液流从③口到②口。

The valve allows flow from ② to ③ with very low pressure drop, while blocks flow from ③ to ②.

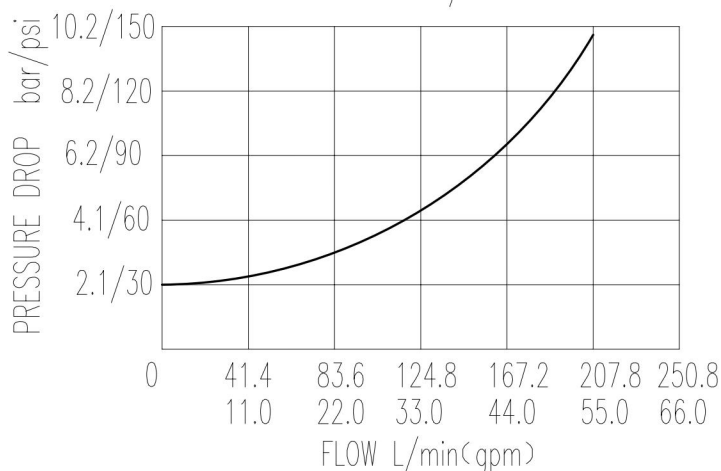
当①口压力足够大并克服弹簧力和液压力后, 允许液流从③口到②口流动。

The valve blocks flow from ③ to ② until sufficient pressure is applied at ①.

此阀控制比为16:1, 即①口压力达到③口压力的1/16时,

允许液流从③口到②口流动。The valve has a 16:1 pilot ratio, meaning that at least 1/16 of the load pressure held at ③ is required at ① to open the valve.

32 cST Oil/45 $^{\circ}\text{C}$



X	阀块油口(PORTING)	Y	密封材质(SEALS)
0	Cartridge Only	N	丁腈橡胶(Buna)
		V	氟橡胶(Fluor.)

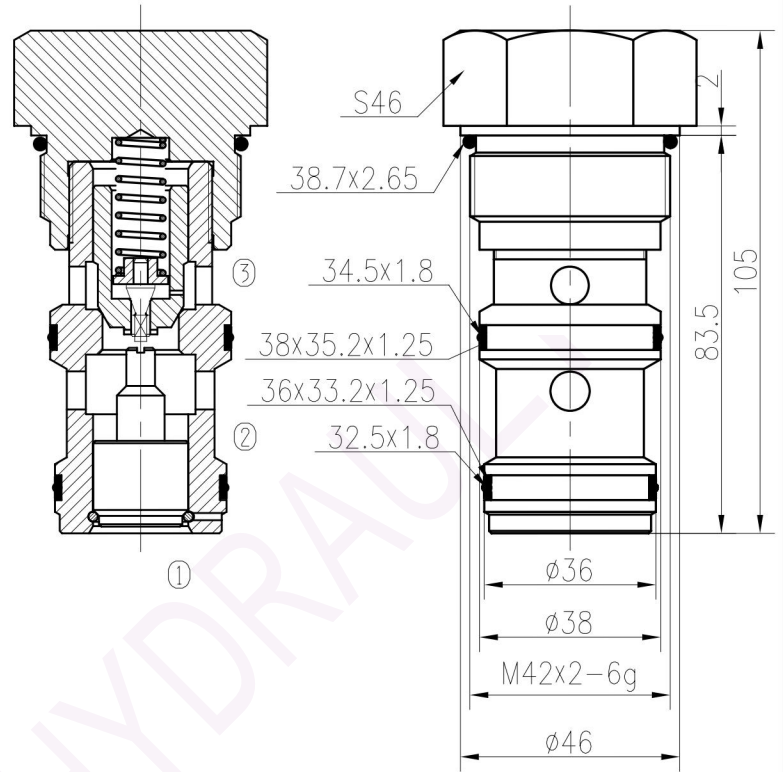
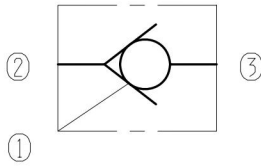
Z	弹簧规格 (SPRINGS)	
	开启压力 Cracking Pressure bar	开启压力 Cracking Pressure bar
05	2	
10	3	
15	6	

液控单向阀 (锥阀型)

Hydraulic Operated Check Valves (Poppet-type)



YDF16-00/X.Y.Z



技术参数 Specifications:

最高工作压力(Max working Pressure): 315bar

可通过最大流量(Flow Max): 380L/min

内泄漏量②to③(Internal Leakage): $\leq 0.3\text{ml/min}$ at 210bar

过滤精度(Filtration Of Oil): 25 μm or better

使用温度(Temperature): -30~+100 $^{\circ}\text{C}$ (丁腈橡胶)
(Standard Buna Seals)

插孔(Cavity): T8-S2 (See Page 7.1.19)

安装扭矩(Installation torque): 88.4~102Nm

此阀使用时, 允许液流以很低的压力降从②口到③口, 同时阻止液流从③口到②口。

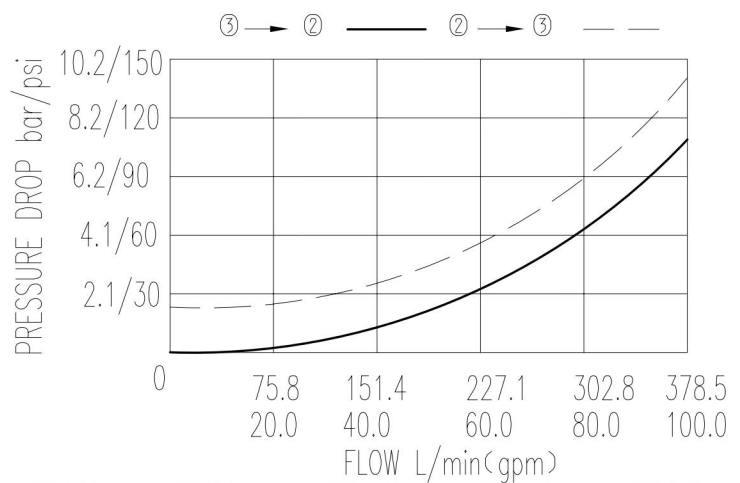
The valve allows flow from ② to ③ with very low pressure drop, while blocks flow from ③ to ②.

当①口压力足够大并克服弹簧力和液压力后, 允许液流从③口到②口流动。

The valve blocks flow from ③ to ② until sufficient pressure is applied at ①.

此阀控制比为25:1, 即①口压力达到③口压力的1/25时, 允许液流从③口到②口流动。The valve has a 25:1 pilot ratio, meaning that at least 1/25 of the load pressure held at ③ is required at ① to open the valve.

32 cST Oil/45 $^{\circ}\text{C}$



X	阀块油口(PORTING)	Y	密封材质(SEALS)
0	Cartridge Only	N	丁腈橡胶(Buna)
		V	氟橡胶(Fluor.)

Z	弹簧规格 (SPRINGS)	
	开启压力 Cracking Pressure bar	开启压力 Cracking Pressure bar
05	1.5	
10	3	
15	8	