

二位二通电磁阀 (锥阀型)
Two Way Two Position (Poppet-type)



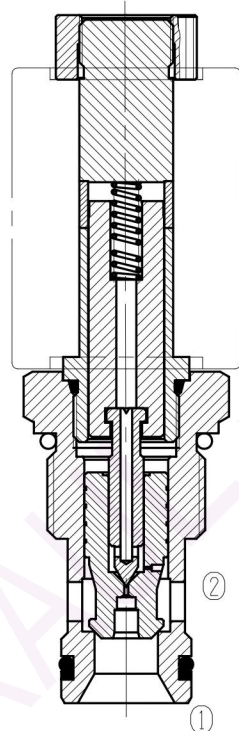
DHF12-220 常闭型 Normally Closed

工作过程描述:

Description of the process

当电磁铁不通电时, ②到①关闭, ①到②作为单向阀开启; 当电磁铁通电时, ②到①开启, ①到②有严重的节流。

When de-energized, the valve acts as a check valve, allowing flow from ① to ②, while blocking flow from ② to ①; When energized, allowing flow from ② to ①, while ① to ② is severely restricted.



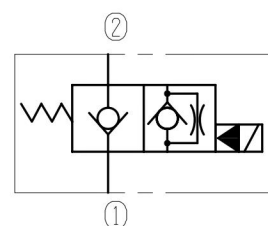
技术参数:

Specifications:

最高工作压力:	250bar
Max. Working Pressure	
可通过最大流量:	见压力-流量曲线
Flow Max.	See Performance
内泄漏量:	0.3ml/min at 210bar
Internal Leakage	5drops/min
工作电压:	12VDC、24VDC、110VAC、220VAC
Operating Volt	
最小工作电压:	正常电压85%
Min Voltage Requires	85% of normal voltage
过滤精度:	20μm or better
Filtration Of Oil	
标准插孔:	T6-1
Type of Standard Cavity	See Page 7.1.2
使用温度:	-30~+100℃(丁腈橡胶)
Temperature	Standard Buna Seals
标准阀块型号:	T6-11*/13*/14*/16*
Standard Block Model	See Page 1.5.4

机能符号:

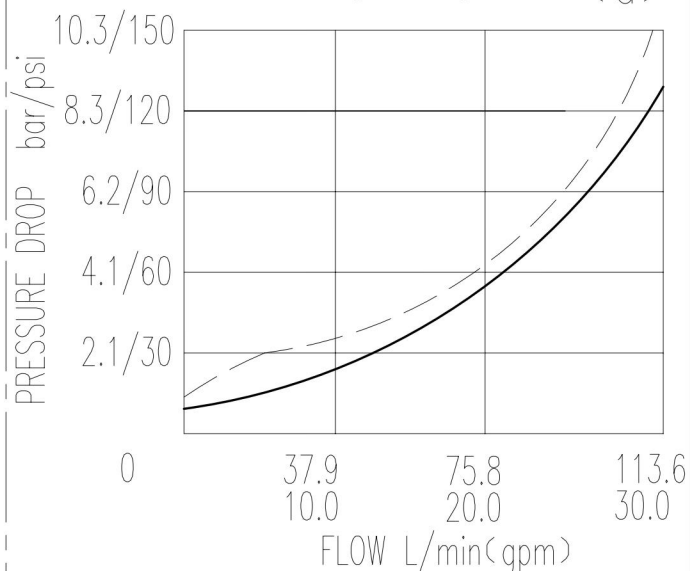
Symbol:



压力-流量曲线:

32 cST Oil/40°C

Characteristic: ② — ① ——— (e)
① — ② - - - (d)

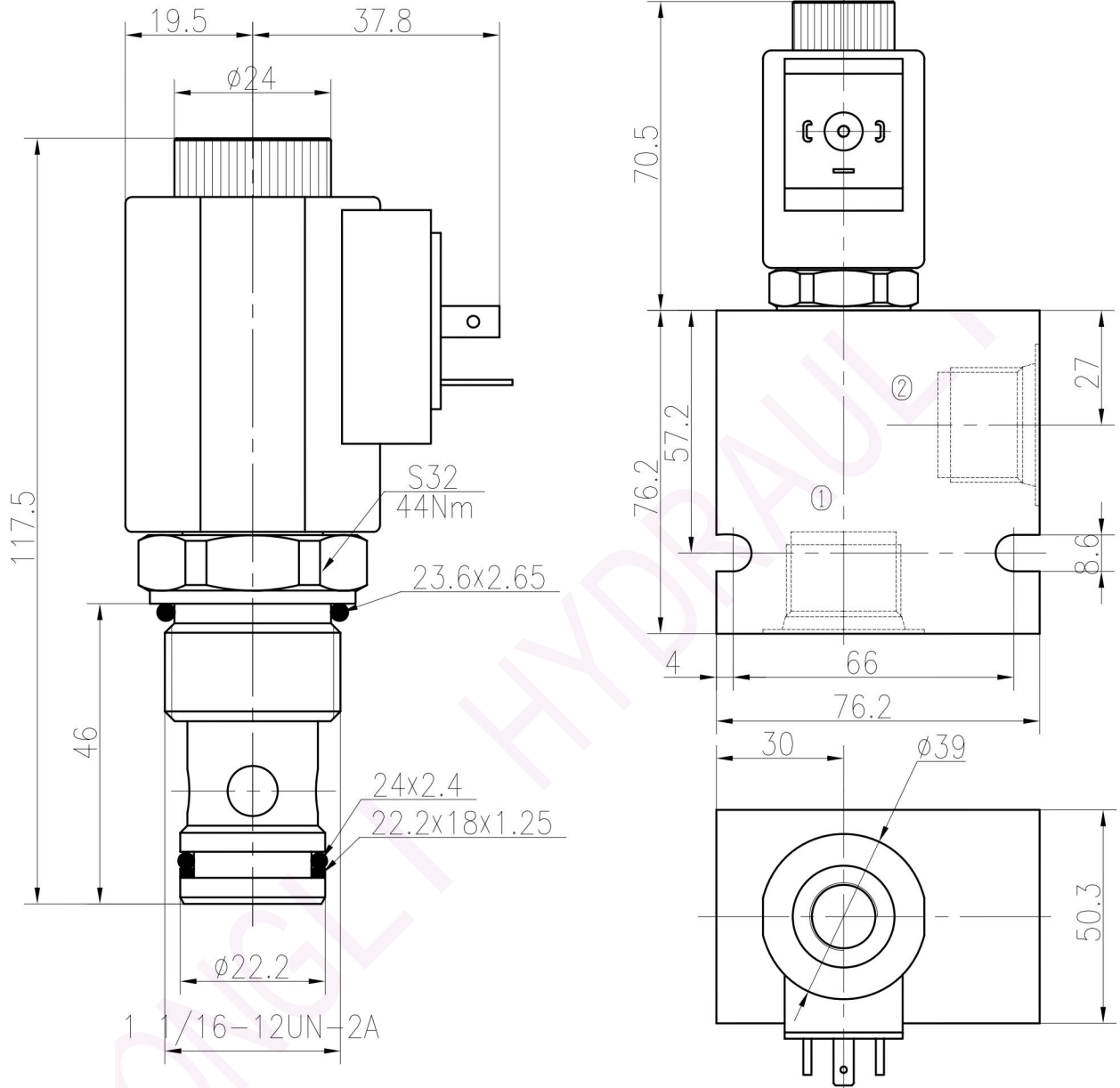


二位二通电磁阀 (锥阀型)
Two Way Two Position (Poppet-type)



DHF12-220 常闭型 Normally Closed

外形尺寸: Profile dimensions



TO ORDER

DHF12-220

电磁阀 Solenoid Valve
阀芯机能 Function

阀块油口 Body Porting

省略为不带阀块 Omit for Cartridge only

G3/4 5G
G1 6G
SAE10 10T
SAE12 12T

密封材质 Seals

丁腈橡胶

Buna(Std.) N

氟橡胶

Fluorocarbon V

电压 Voltage

12 12VDC

24 24VDC

110 110VAC

220 220VAC

接线形式

Connection

DL Double Leads (双线)

DH Electrical Outlet (插头)

DR Deutsch DT04-2P

二位二通电磁阀 (锥阀型)
Two Way Two Position (Poppet-type)



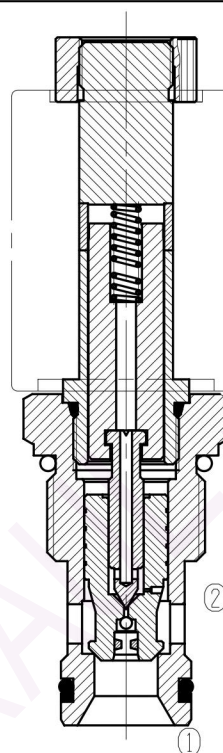
DHF12-222 常闭型 Normally Closed

工作过程描述:

Description of the process

当电磁铁不通电时, ②到①关闭, ①到②
单作为向阀开启; 当电磁铁通电时, ②到①
和①到②双向开启。

When de-energized, the valve acts as a check valve, allowing flow from ① to ②, while blocking flow from ② to ①; When energized, allowing flow from ② to ① and ① to ②.



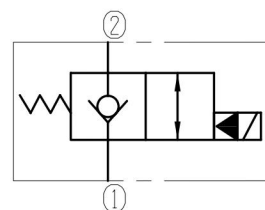
技术参数:

Specifications:

最高工作压力:	250bar
Max. Working Pressure	
可通过最大流量:	见压力-流量曲线
Flow Max.	See Performance
内泄漏量:	0.3ml/min at 210bar
Internal Leakage	5drops/min
工作电压:	12VDC、24VDC、110VAC、220VAC
Operating Volt	
最小工作电压:	正常电压85%
Min Voltage Requires	85% of normal voltage
过滤精度:	20μm or better
Filtration Of Oil	
标准插孔:	T6-1
Type of Standard Cavity	See Page 7.1.2
使用温度:	-30~+100℃(丁腈橡胶)
Temperature	Standard Buna Seals
标准阀块型号:	T6-11*/13*/14*/16*
Standard Block Model	See Page 1.5.4

机能符号:

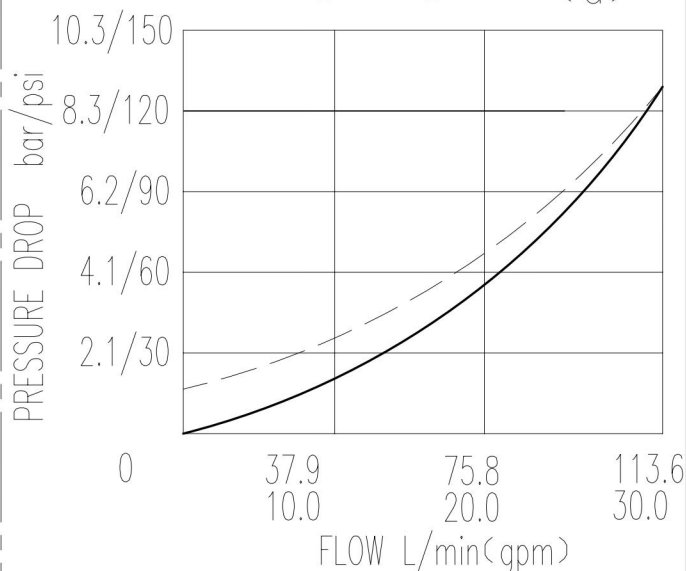
Symbol:



压力-流量曲线:

32 cST Oil/40°C

Characteristic: ② — ① — (e)
① — ② - - - (d)

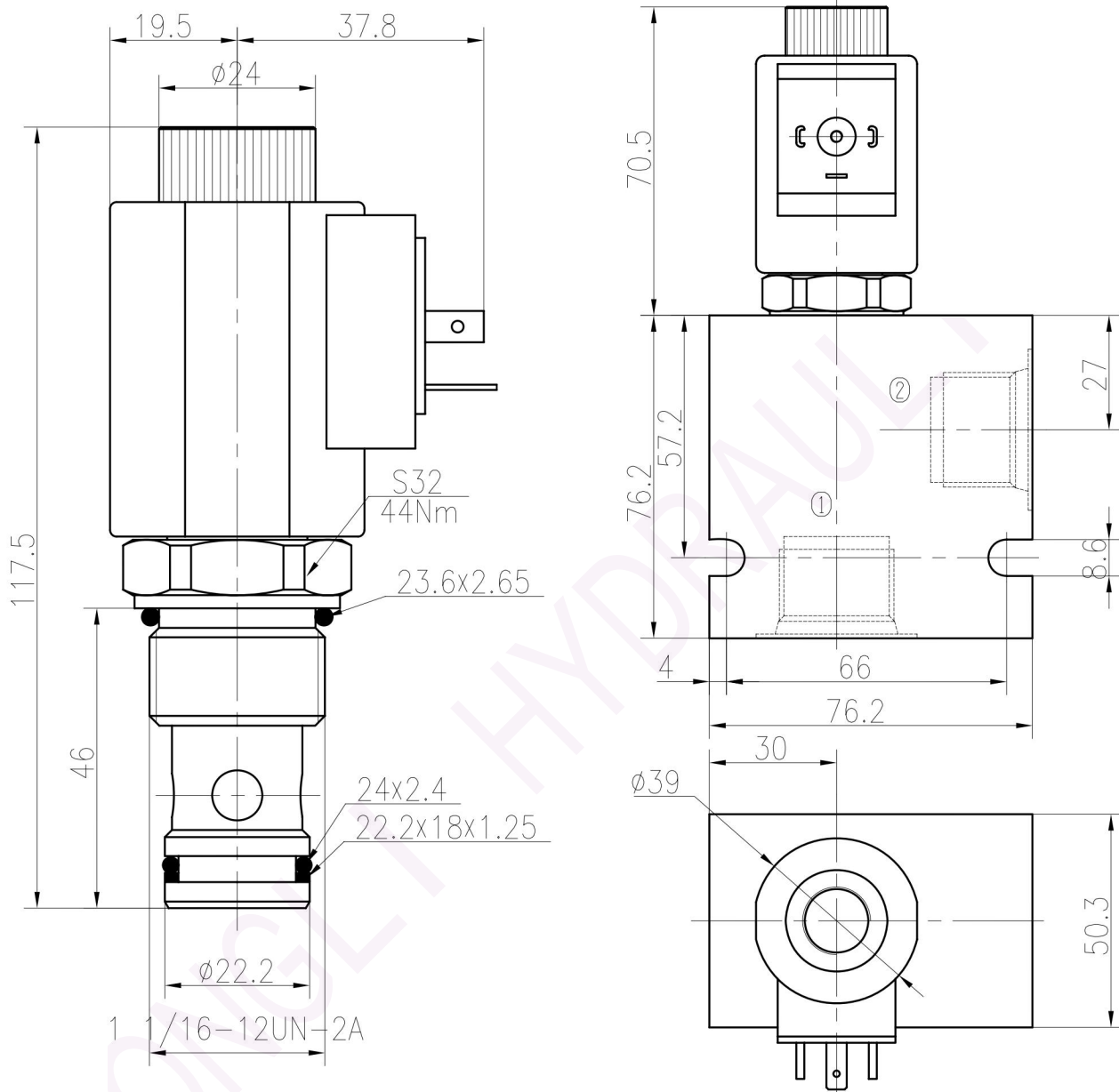


二位二通电磁阀 (锥阀型)
Two Way Two Position (Poppet-type)



DHF12-222 常闭型 Normally Closed

外形尺寸: Profile dimensions



TO ORDER

DHF12-222

电磁阀 Solenoid Valve
阀芯机能 Function

阀块油口 Body Porting

省略为不带阀块 Omit for Cartridge only

G3/4 5G
G1 6G
SAE10 10T
SAE12 12T

密封材质 Seals

丁腈橡胶
Buna(Std.) N

氟橡胶
Fluorocarbon V

电压 Voltage

12 12VDC
24 24VDC
110 110VAC
220 220VAC

接线形式

Connection

DL Double Leads (双线)
DH Electrical Outlet (插头)
DR Deutsch DT04-2P