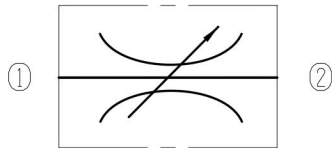


可调节流阀 (针阀型)

Adjustable Restriction Valves (Needle Type)

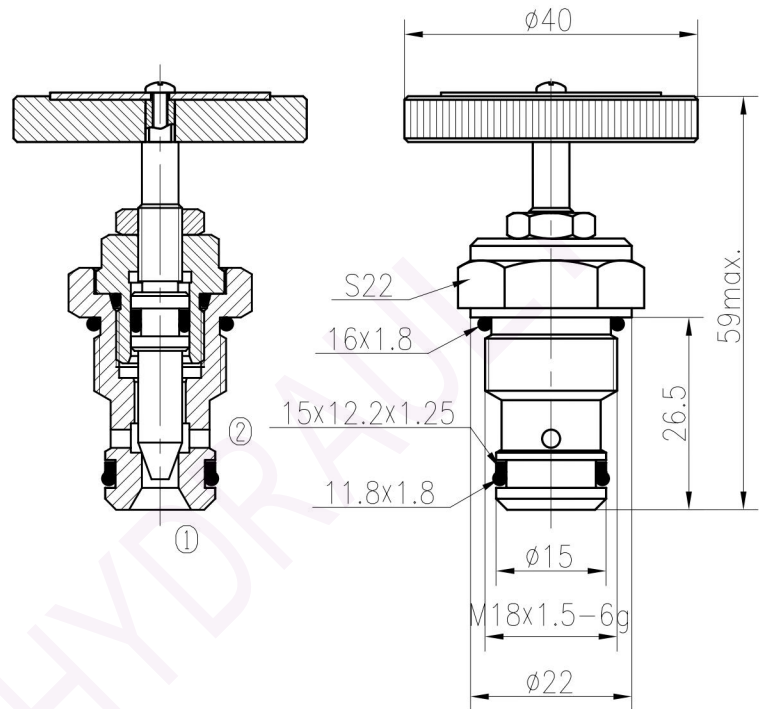


LF04-00/X.Y.Z



技术参数 Specifications:

最高工作压力(Max.Working Pressure):	240bar
最大流量(Flow Max):	20L/min at 7bar
内泄漏量(Internal Leakage):	<0.3ml/min(关闭时)
过滤精度(Filtration Of Oil):	25μm or better
使用温度(Temperature):	-30~+100℃(丁腈橡胶) (Standard Buna Seals)
插孔(Cavity):	T-2102S(See Page 7.1.19)
安装扭矩(Installation torque):	24.5~27.2Nm

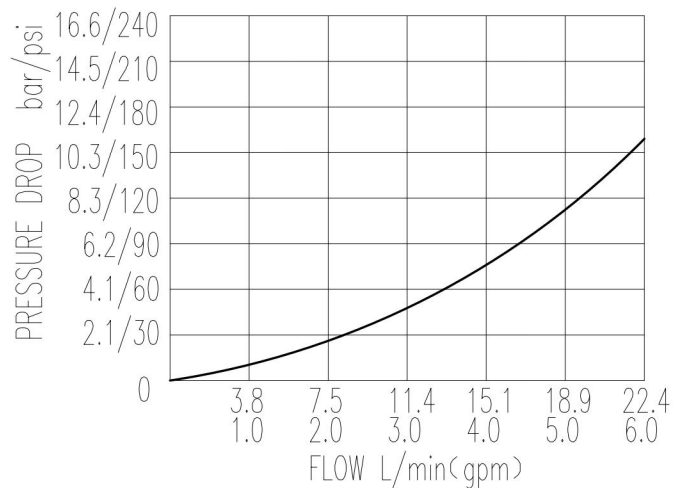


顺时针旋转调节螺杆可使阀由全开到完全关闭, 即流量由最

大到完全截止。截止时内泄漏小于0.3ml/min(210bar)。

The valve reduce its orifice value from fully opened to fully close with clock-wise adjustment rotation. At the same time ,the flow from max. to shut-off.

32 cST Oil/45°C



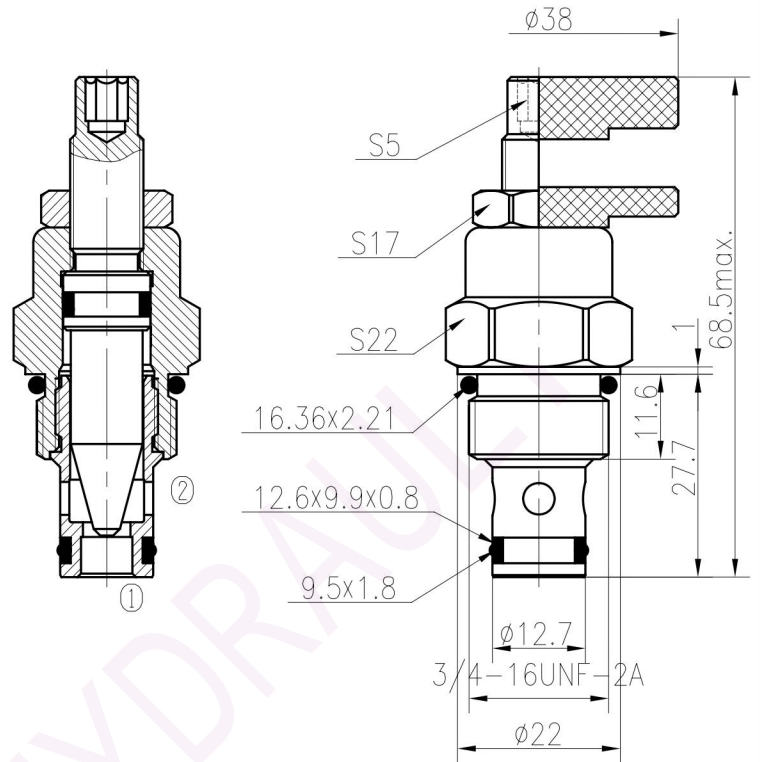
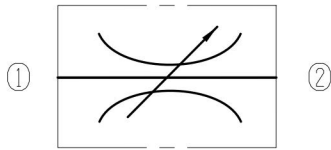
X	阀块油口(PORTING)	Y	密封材质(SEALS)	Z	调节方式(ADJUSTMENTS)
0	Cartridge Only	N	丁腈橡胶(Buna)	05	钢制手轮及锁紧螺母 Steel Knob and Locking Nut
		V	氟橡胶(Fluor.)		

可调节流阀 (针阀型) Adjustable Restriction Valves (Needle Type)



LF08-00/X.Y.Z

(替代原型号LF06-01)



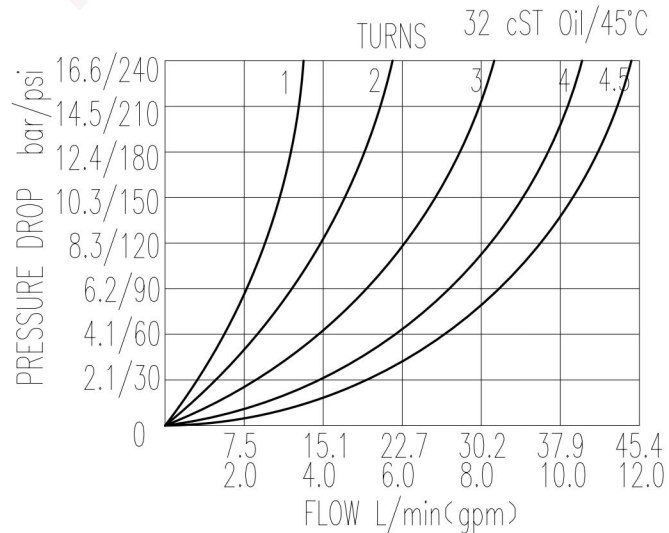
技术参数 Specifications:

最高工作压力(Max.Working Pressure):	240bar
最大流量(Flow Max):	35L/min at 7bar
内泄漏量(Internal Leakage):	<0.3ml/min(关闭时)
过滤精度(Filtration Of Oil):	25μm or better
使用温度(Temperature):	-30~+100℃(丁腈橡胶) (Standard Buna Seals)
插孔(Cavity):	T4-1(See Page 7.1.1)
安装扭矩(Installation torque):	24.5~27.2Nm
标准阀块型号:	T4-11*/13*/14*/16*
Standard Block Model	See Page 1.5.1

顺时针旋转调节螺杆可使阀由全开到完全关闭, 即流量由最

大到完全截止。截止时内泄漏小于0.3ml/min(210bar)。

The valve reduce its orifice value from fully opened to fully close with clock-wise adjustment rotation. At the same time ,the flow from max. to shut-off.



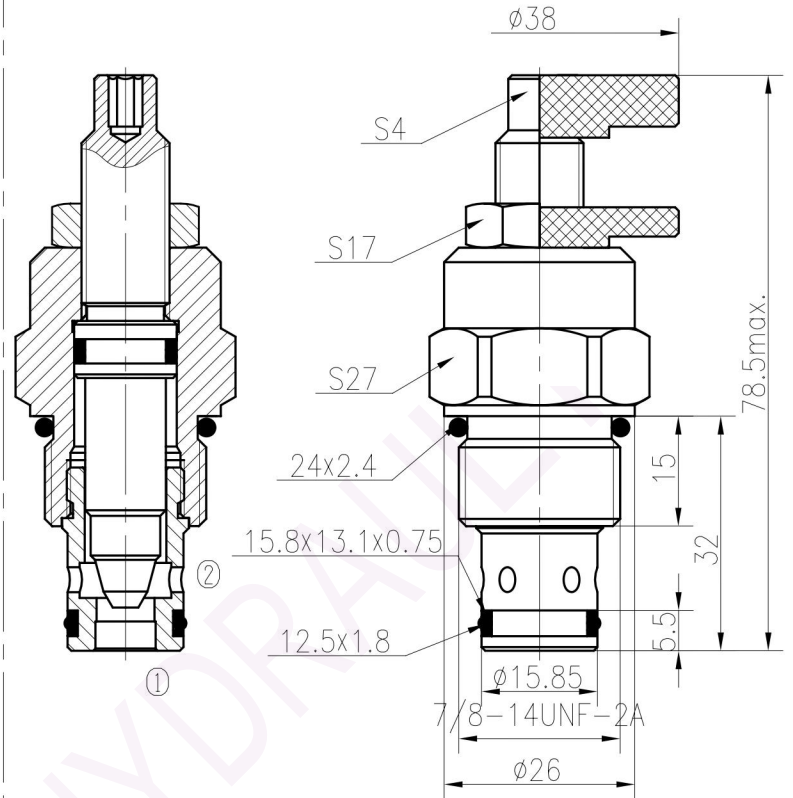
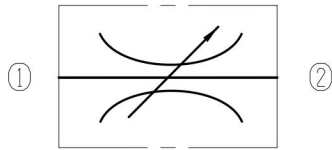
X	阀块油口(PORTING)	Y	密封材质(SEALS)	Z	调节方式(ADJUSTMENTS)	
0	Cartridge Only	N	丁腈橡胶(Buna)	05	内六角、防泄漏螺母 Leakproof hex. and socket screw	
4G	G1/4	V	氟橡胶(Fluor.)	10	铝制手轮及锁紧螺母 Alum. Knob and Locking Nut	
8G	G3/8					
4T	SAE4					
6T	SAE6					

可调节流阀 (针阀型) Adjustable Restriction Valves (Needle Type)



LF10-00/X.Y.Z

(替代原型号LF08-02)

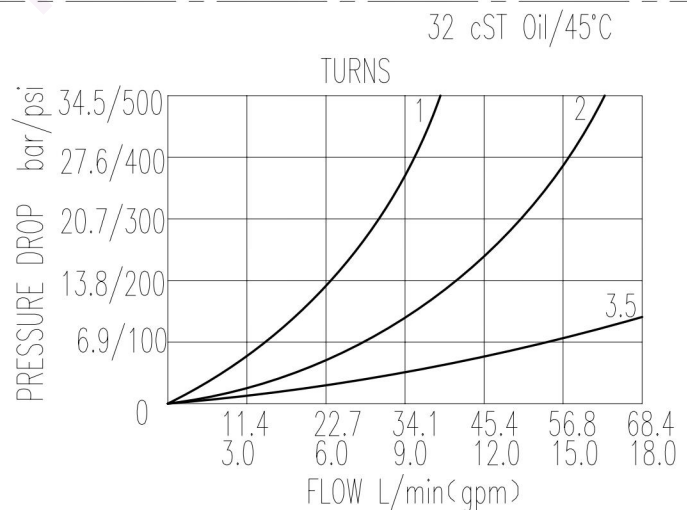


技术参数 Specifications:

最高工作压力(Max.Working Pressure):	240bar
最大流量(Flow Max):	56L/min at 7bar
内泄漏量(Internal Leakage):	<0.3ml/min(关闭时)
过滤精度(Filtration Of Oil):	25μm or better
使用温度(Temperature):	-30~+100℃(丁腈橡胶) (Standard Buna Seals)
插孔(Cavity):	T5-1(See Page 7.1.1)
安装扭矩(Installation torque):	33.9~36.7Nm
标准阀块型号:	T5-11*/13*/14*/16*
Standard Block Model	See Page 1.5.1

顺时针旋转调节螺杆可使阀由全开到完全关闭, 即流量由最大到完全截止。截止时内泄漏小于0.3ml/min(210bar)。

The valve reduce its orifice value from fully opened to fully close with clock-wise adjustment rotation. At the same time ,the flow from max. to shut-off.



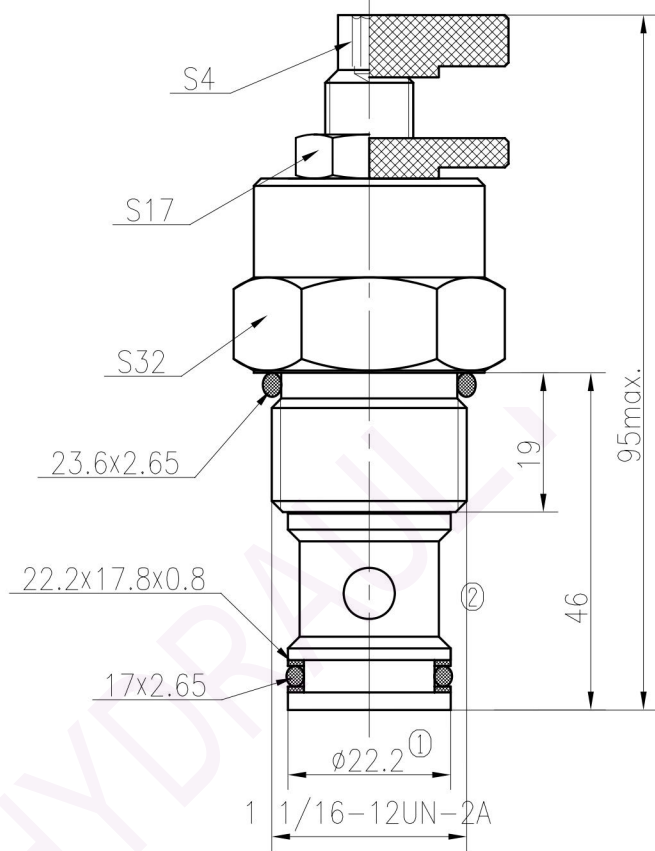
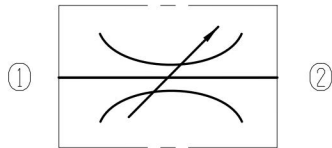
X	阀块油口(PORTING)	Y	密封材质(SEALS)	Z	调节方式(ADJUSTMENTS)
0	Cartridge Only	N	丁腈橡胶(Buna)	05	内六角、防泄漏螺母 Leakproof hex. and socket screw
4G	G1/4	V	氟橡胶(Fluor.)	10	铝制手轮及锁紧螺母 Alum. Knob and Locking Nut
8G	G3/8				
4T	SAE4				
6T	SAE6				

可调节流阀 (针阀型)

Adjustable Restriction Valves (Needle Type)



LF12-02/X.Y.Z

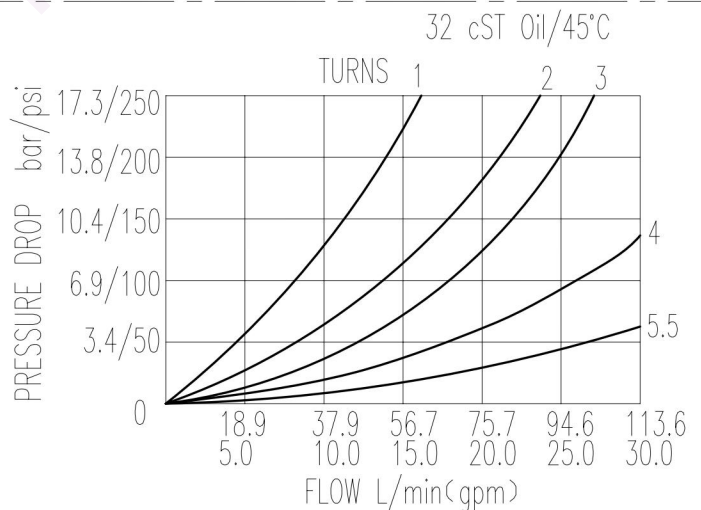


技术参数 Specifications:

最高工作压力(Max.Working Pressure):	240bar
最大流量(Flow Max):	113L/min at 7bar
内泄漏量(Internal Leakage):	<0.3ml/min(关闭时)
过滤精度(Filtration Of Oil):	25µm or better
使用温度(Temperature):	-30~+100℃(丁腈橡胶) (Standard Buna Seals)
插孔(Cavity):	T6-1(See Page 7.1.2)
安装扭矩(Installation torque):	33.9~36.7Nm
标准阀块型号:	T6-11*/13*/14*/16*
Standard Block Model	See Page 1.5.4

顺时针旋转调节螺杆可使阀由全开到完全关闭, 即流量由最大到完全截止。截止时内泄漏小于0.3ml/min(210bar)。

The valve reduce its orifice value from fully opened to fully close with clock-wise adjustment rotation. At the same time ,the flow from max. to shut-off.



X	阀块油口(PORTING)	Y	密封材质(SEALS)	Z	调节方式(ADJUSTMENTS)		
0	Cartridge Only	N	丁腈橡胶(Buna)	05	内六角、防泄漏螺母 Leakproof hex. and socket screw		
4G	G3/4	V	氟橡胶(Fluor.)		10	铝制手轮及锁紧螺母 Alum. Knob and Locking Nut	
8G	G1						
10T	SAE10						
12T	SAE12						