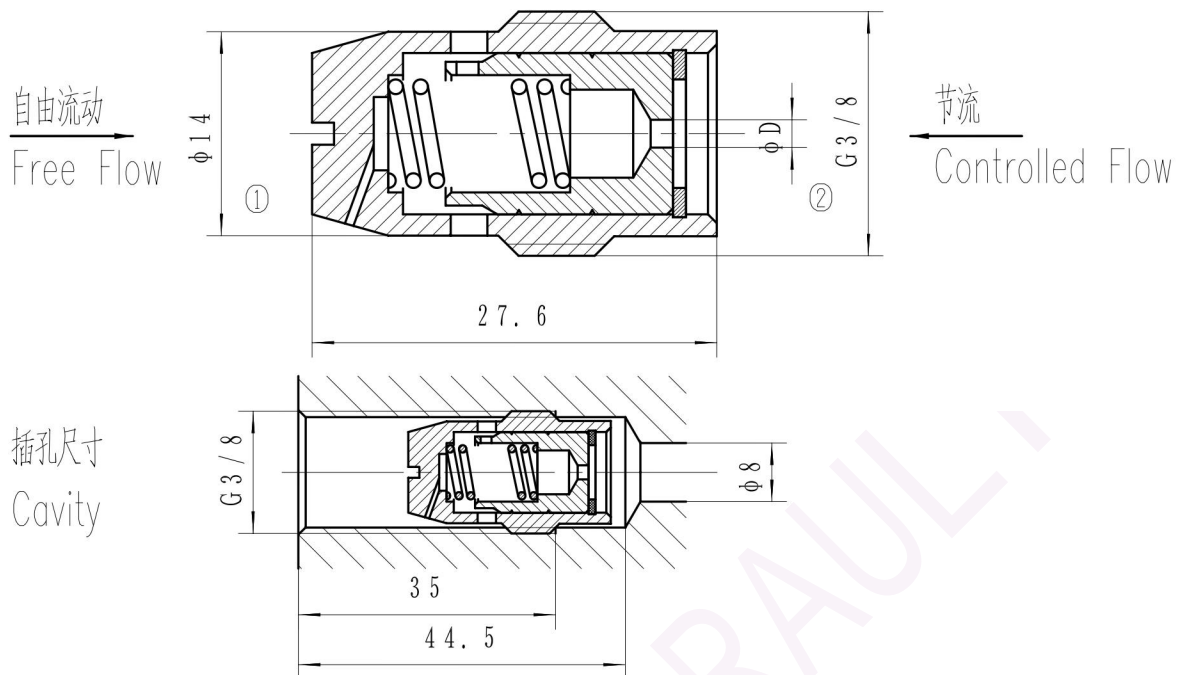
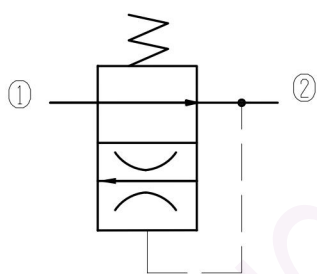


BLF06/xx-00-00

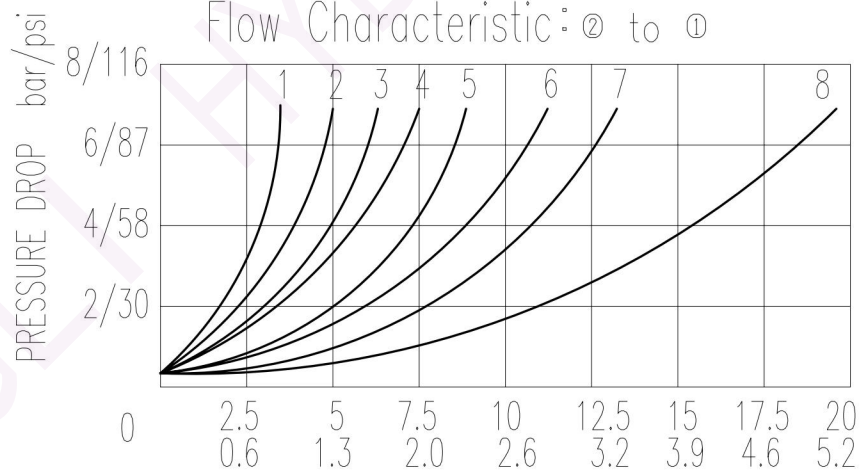


机能符号:
Symbol:



压力-流量曲线: 32 cST Oil/45°C

Flow Characteristic: ② to ①



技术参数:

Specifications:

工作压力范围: 3.5~210bar
Working Pressure Range

可通过最大流量: 见压力-流量曲线
Flow Max. See Flow Characteristic

过滤精度: 25 μ m or better
Filtration of Oil

定货说明 (ORDER):

BLF06/12-00-00--12代表D为1.2, 20代表D为2.0, 依次类推。
(12 express D is 1.2, 20 express D is 2.0 and so so.)

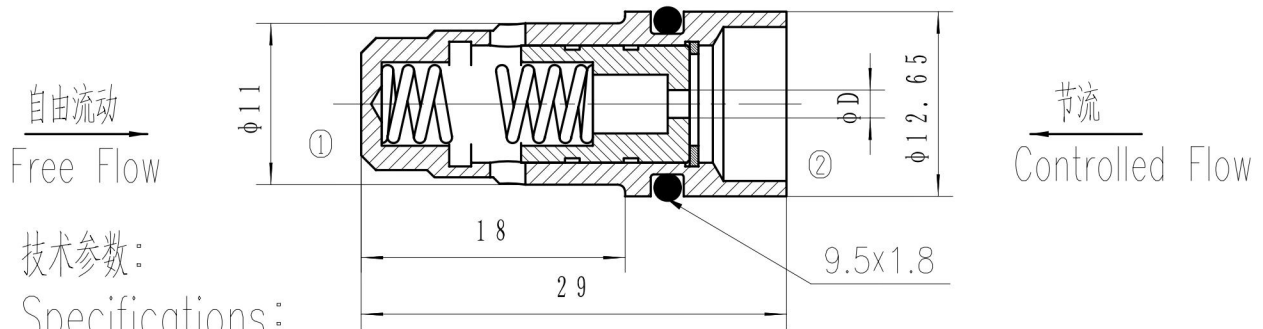
Controlled Flow Range

流量范围		ϕD	编号 No.
min.	max.		
1.4	3.6	1.2	1
2.0	4.7	1.5	2
3.5	6.2	2.0	3
4.3	7.0	2.2	4
5.2	8.5	2.5	5
10.5	11.5	3.0	6
10	13.5	3.5	7
13	18	4.0	8

压力补偿节流阀 (固定节流孔)
Regulator Pressure-compensated Valves (Fixed Orifice)



BLF06-02-00



技术参数:

Specifications:

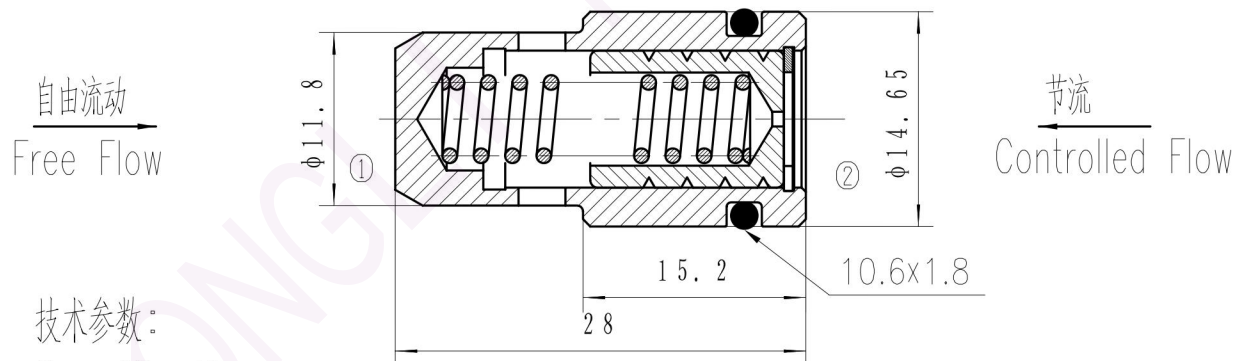
工作压力范围: 3.5~210bar
Working Pressure Range

进油口最大流量: 12L/min
Max. Inlet Flow

过滤精度: 25μm or better
Filtration of Oil

订货型号 (Order Type)	出油口稳定流量(L/min) (Output Port Flow)
BLF06-02-00	4±0.4
BLF06-02B-00	3±0.3
BLF06-02C-00	2±0.2

BLF06-03-00



技术参数:

Specifications:

工作压力范围: 3.5~210bar
Working Pressure Range

进油口最大流量: 12L/min
Max. Inlet Flow

过滤精度: 25μm or better
Filtration of Oil

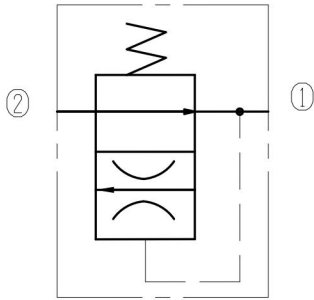
订货型号 (Order Type)	出油口稳定流量(L/min) (Output Port Flow)
BLF06-03-00	2.8±0.3

压力补偿节流阀 (固定节流孔)

Regulator Pressure-compensated Valves (Fixed Orifice)

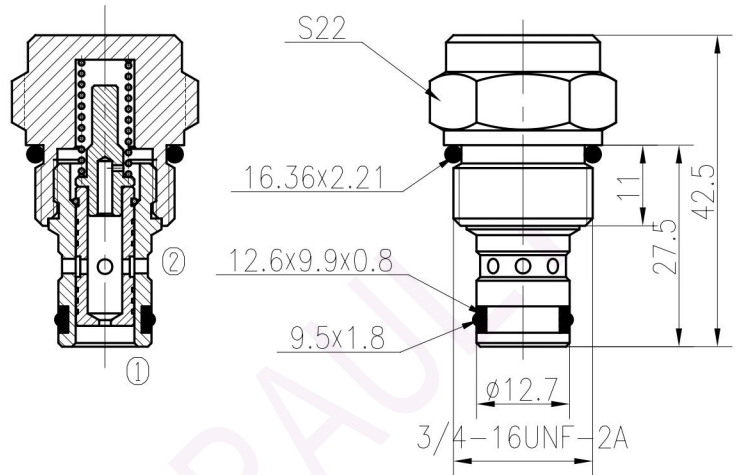


BLF08-00/X.Y.Z



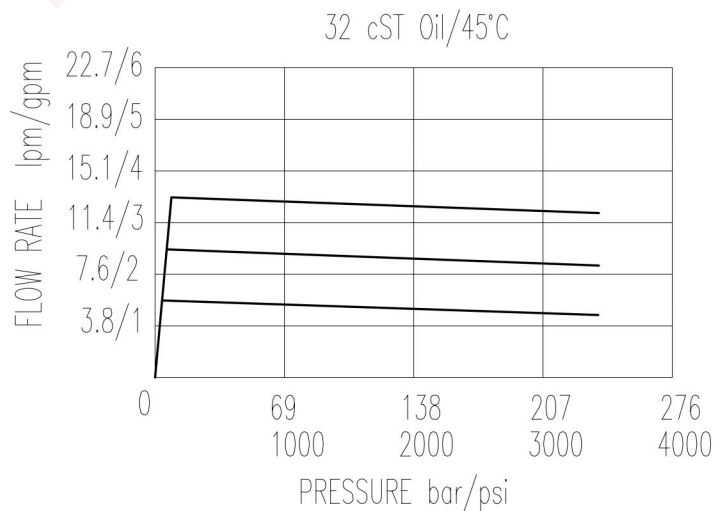
技术参数 Specifications:

最高工作压力(Max working Pressure):	240bar
可通过最大流量(Flow Max):	12L/min
过滤精度(Filtration Of Oil):	25μm or better
使用温度(Temperature):	-30~+100℃(丁腈橡胶) (Standard Buna Seals)
插孔(Cavity):	T4-1(See Page 7.1.1)
安装扭矩(Installation torque):	24.5~27.2Nm
标准阀块型号:	T4-11*/13*/14*/16*
Standard Block Model	See Page 1.5.1



此阀使用时, 不论①口负载如何变化, ②口流量均保持在一设定的范围内, 即①口到②口有压力补偿功能, 反过来, ②口到①口无压力补偿功能, 仅有节流功能。

The valve maintains a constant flow rate out of ② regardless of load pressure changes in port ①. That is to say, when flow from ① to ② through the control office is compensated and reverse flow from ② to ① returns through the control office and is non-compensated.



X	阀块油口(PORTING)	Y	密封材质(SEALS)	Z	设定流量(Flow Settings)	
0	Cartridge Only	N	丁腈橡胶(Buna)	03	3L/min	08 8L/min
4G	G1/4	V	氟橡胶(Fluor.)	04	4L/min	09 9L/min
8G	G3/8			05	5L/min	10 10L/min
4T	SAE4			06	6L/min	11 11L/min
6T	SAE6			07	7L/min	12 12L/min

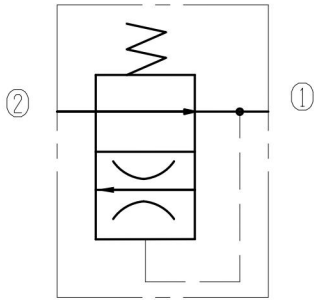
压力补偿节流阀 (固定节流孔)

Regulator Pressure-compensated Valves (Fixed Orifice)



BLF10-00/X.Y.Z

(替代原型号BLF08-00)



技术参数 Specifications:

最高工作压力(Max working Pressure): 240bar

可通过最大流量(Flow Max): 20L/min

过滤精度(Filtration Of Oil): 25μm or better

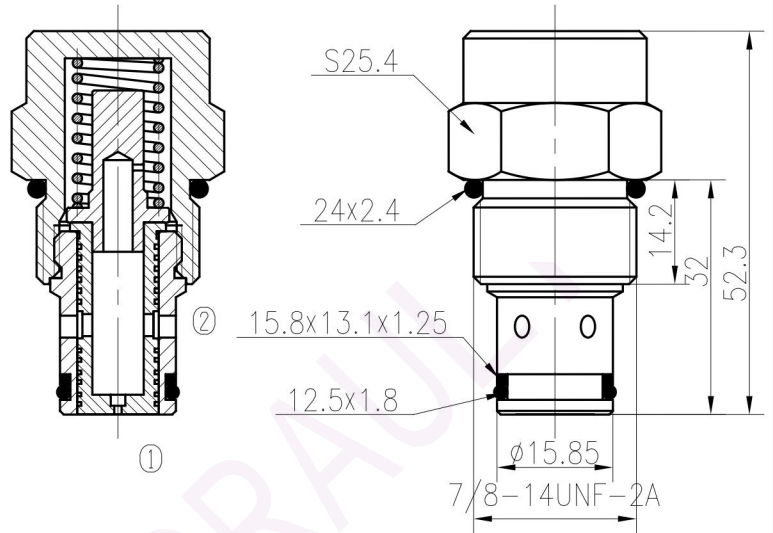
使用温度(Temperature): -30~+100℃(丁腈橡胶)
(Standard Buna Seals)

插孔(Cavity): T5-1(See Page 7.1.1)

安装扭矩(Installation torque): 33.9~36.7Nm

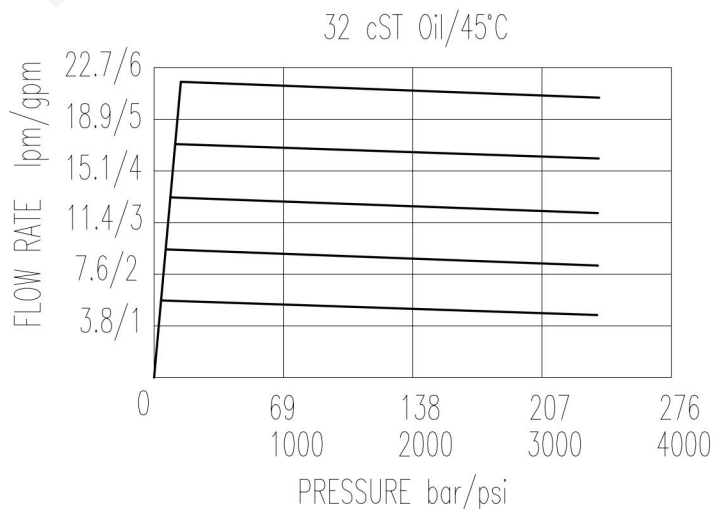
标准阀块型号: T5-11*/13*/14*/16*

Standard Block Model See Page 1.5.1



此阀使用时, 不论①口负载如何变化, ②口流量均保持在一
设定的范围内。即①口到②口有压力补偿功能, 反过来,
②口到①口无压力补偿功能, 仅有节流功能。

The valve maintains a constant flow rate out of ②
regardless of load pressure changes in port ①. That
is to say, when flow from ① to ② through the
control office is compensated and reverse flow from
② to ① returns through the control office and is
non-compensated.



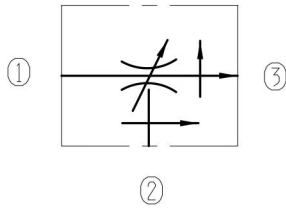
X	阀块油口(PORTING)	Y	密封材质(SEALS)	Z	设定流量(Flow Settings)		
0	Cartridge Only	N	丁腈橡胶(Buna)	02	2L/min	12	12L/min
4G	G1/4	V	氟橡胶(Fluor.)	04	4L/min	14	14L/min
8G	G3/8			06	6L/min	16	16L/min
4T	SAE4			08	8L/min	18	18L/min
6T	SAE6			10	10L/min	20	20L/min

压力补偿节流阀 (三通型)

Regulator Pressure-compensated Valves (Three Way)



BLF10-01/X.Y.Z



技术参数 Specifications:

工作压力范围(Working Pressure Range): 20~315bar

最大入口流量(Inlet Flow Max): 60L/min

内泄流量(Internal Leakage): <60ml/min

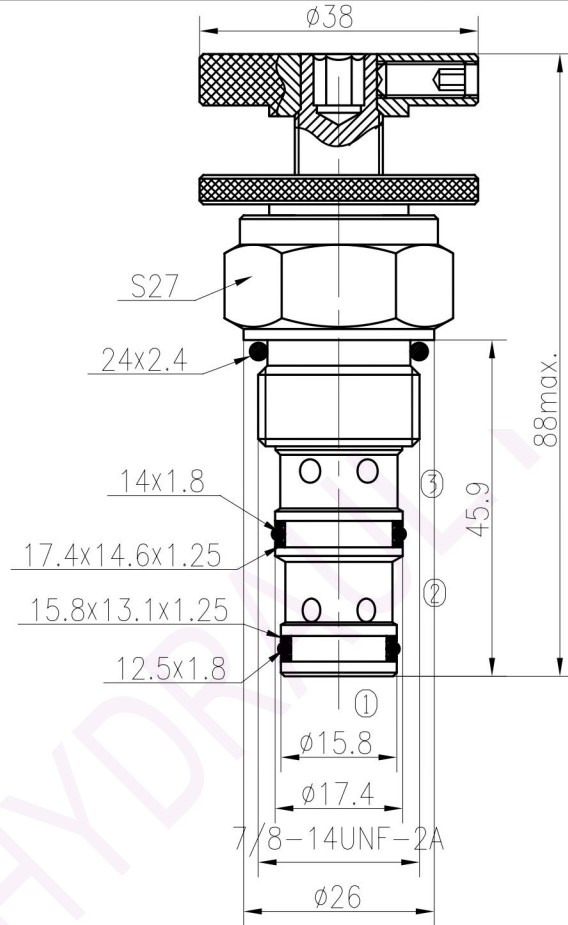
过滤精度(Filtration Of Oil): 25μm or better

使用温度(Temperature): -30~+100℃(丁腈橡胶)
(Standard Buna Seals)

插孔(Cavity): T5-2(See Page 7.1.2)

安装扭矩(Installation torque): 33.9~36.7Nm

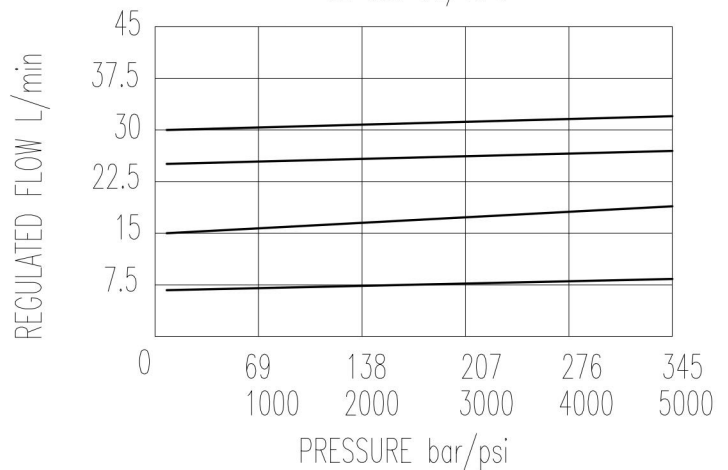
标准阀块型号: T5-21*/23*/24*/26*
Standard Block Model See Page 1.5.2



当①口和②口的压力降超过20bar时, 无论③口压力如何变化, ③口流量均保持定值。若①口流量超过②口, 则多余的流量从②口溢流。③口流量可以在关闭和常态范围内调节。③口到①口由于有节流口的变化而存在节流功能, 但无压力补偿功能。

A constant flow rate, regardless of system pressures, is established from ①to② while a minimum pressure differential of 20bar exists between the two ports. Input flow applied to ① in excess of the regulated output at ② is by-passed to ③. Flow from ③to① is limited by the diameter of the orifice and is not pressure compensated.

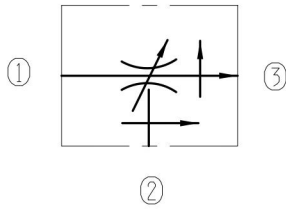
32 cST Oil/45°C



X	阀块油口(PORTING)	Y	密封材质(SEALS)
0	Cartridge Only	N	丁腈橡胶(Buna)
4G	G1/4	V	氟橡胶(Fluor.)
8G	G3/8		
4T	SAE4		
6T	SAE6		

Z	弹簧与节流孔规格 (SPRINGS AND ORIFICE)	
	流量调节范围 Regulated Flow Range L/min	流量调节范围 Regulated Flow Range L/min
05	1~20	
10	1~40	

BLF12-33/X.Y.Z



技术参数 Specifications:

工作压力范围(Working Pressure Range): 20~240bar

最大入口流量(Inlet Flow Max): 113L/min

内泄漏量(Internal Leakage): <100ml/min

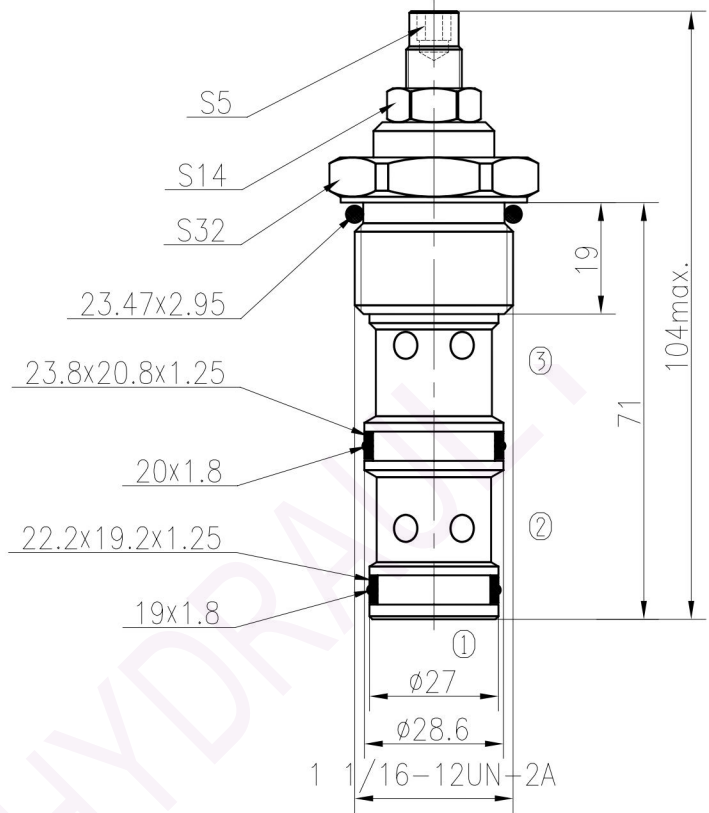
过滤精度(Filtration Of Oil): 25 μ m or better

使用温度(Temperature): -30~+100 $^{\circ}$ C (丁腈橡胶)
(Standard Buna Seals)

插孔(Cavity): T6-2(See Page 7.1.2)

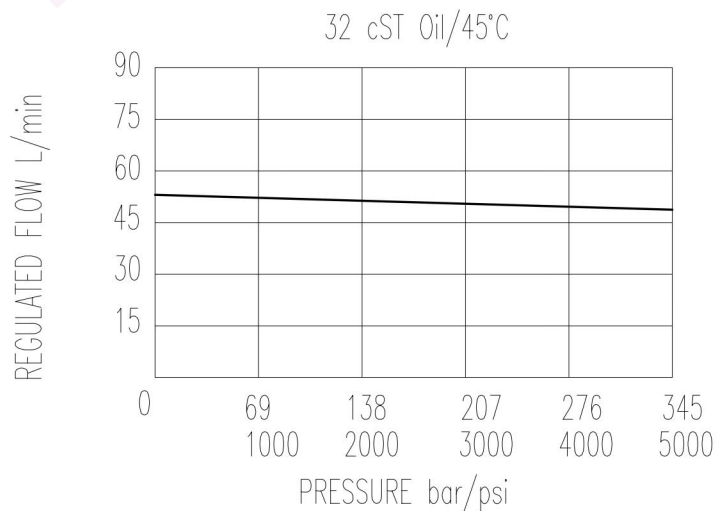
安装扭矩(Installation torque): 66~75Nm

标准阀块型号: T6-21*/23*/24*/26*
Standard Block Model See Page 1.5.5



当①口和②口的压力降超过10bar时, 无论③口压力如何变化, ③口流量均保持定值。若①口流量超过②口, 则多余的流量从②口溢流。③口流量可以在关闭和常态范围内调节。③口到①口由于有节流口的变化而存在节流功能, 但无压力补偿功能。

A constant flow rate, regardless of system pressures, is established from ① to ② while a minimum pressure differential of 10bar exists between the two ports. Input flow applied to ① in excess of the regulated output at ② is by-passed to ③. Flow from ③ to ① is limited by the diameter of the orifice and is not pressure compensated.



X	阀块油口(PORTING)	Y	密封材质(SEALS)
0	Cartridge Only	N	丁腈橡胶(Buna)
4G	G3/4	V	氟橡胶(Fluor.)
8G	G1		
4T	SAE10		
6T	SAE12		

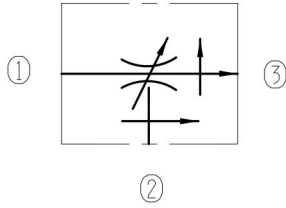
Z	弹簧与节流孔规格 (SPRINGS AND ORIFICE)	
	流量调节范围 Regulated Flow Range L/min	流量调节范围 Regulated Flow Range L/min
05	0~68	

压力补偿节流阀 (三通型)

Regulator Pressure-compensated Valves (Three Way)



BLF16-01/X.Y.Z



技术参数 Specifications:

工作压力范围(Working Pressure Range): 20~315bar

最大入口流量(Inlet Flow Max): 150L/min

内泄漏量(Internal Leakage): <100ml/min

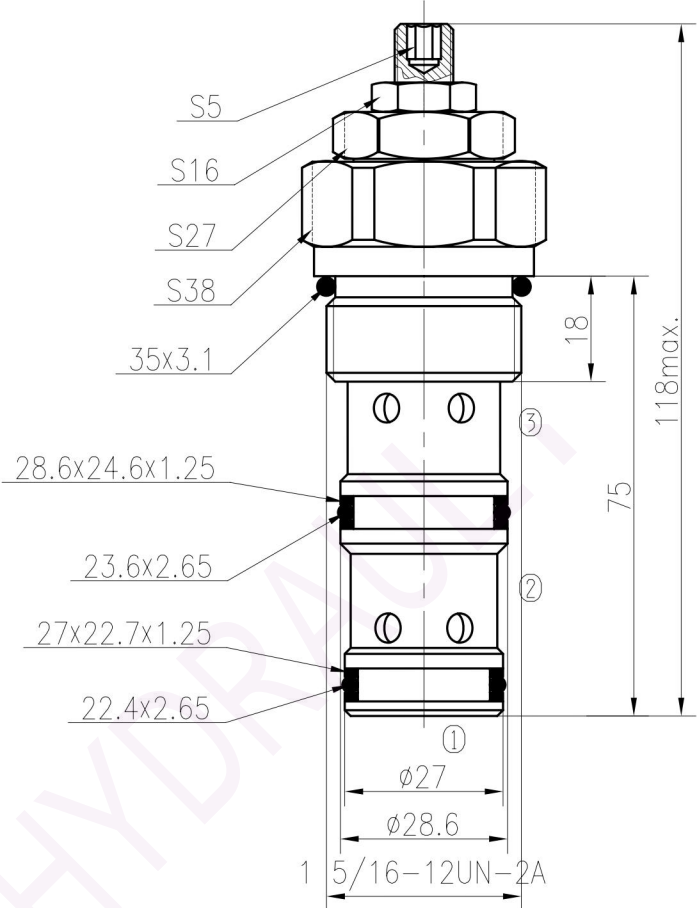
过滤精度(Filtration Of Oil): 25μm or better

使用温度(Temperature): -30~+100℃(丁腈橡胶)
(Standard Buna Seals)

插孔(Cavity): T7-2(See Page 7.1.3)

安装扭矩(Installation torque): 66~75Nm

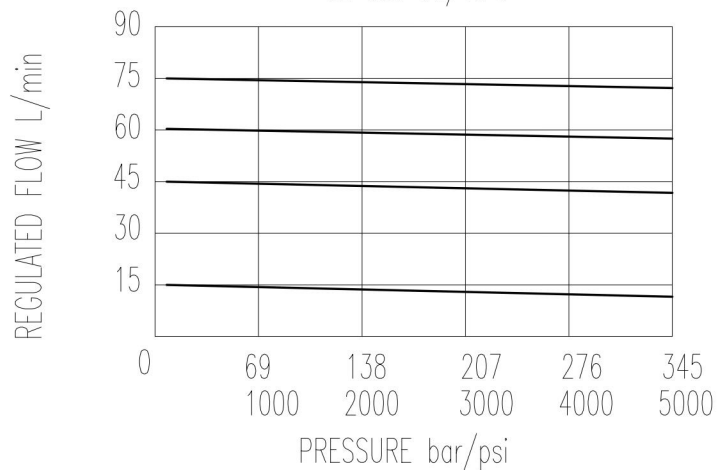
标准阀块型号: T7-21*/23*/24*/26*
Standard Block Model See Page 1.5.6



当①口和③口的压力降超过10bar时, 无论③口压力如何变化, ③口流量均保持定值。若①口流量超过③口, 则多余的流量从②口溢流。③口流量可以在关闭和常态范围内调节。③口到①口由于有节流口的变化而存在节流功能, 但无压力补偿功能。

A constant flow rate, regardless of system pressures, is established from ① to ③ while a minimum pressure differential of 10bar exists between the two ports. Input flow applied to ① in excess of the regulated output at ③ is by-passed to ②. Flow from ③ to ① is limited by the diameter of the orifice and is not pressure compensated.

32 cST Oil/45°C



X	阀块油口(PORTING)	Y	密封材质(SEALS)
0	Cartridge Only	N	丁腈橡胶(Buna)
4G	G3/4	V	氟橡胶(Fluor.)
8G	G1		
4T	SAE10		
6T	SAE12		

Z	弹簧与节流孔规格 (SPRINGS AND ORIFICE)	
	流量调节范围 Regulated Flow Range L/min	流量调节范围 Regulated Flow Range L/min
05	10~90	