

## Pilot operated Check valve type Z2S

Sizes 6 10 16 22

up to 31.5MPa

up to 360 L/min

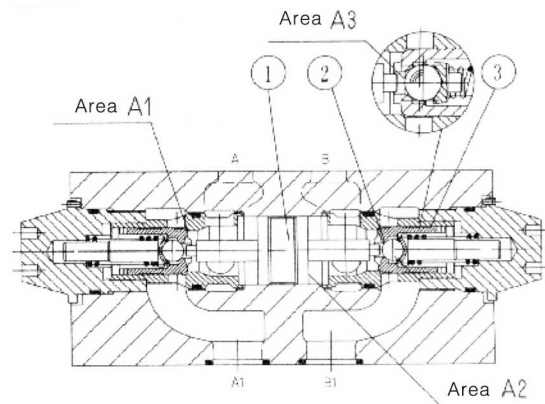
### Features:

- Mounting pattern to DIN 24 340 for use in vertical stacking assemblies
- For the leak free closure of one or two service ports



### Functional description, section

Hydraulic pilot operated check valves type Z2S are of sandwich plate design. They are used for the leak-free closure of one or two service ports, even for long periods of time. Free flow occurs from A1 to A2 or B1 to B2. Flow in the opposite direction is blocked. In order to ensure correct closing of the valve, the service ports of the directional valve must be connected to tank in the neutral position.



Z2S22...30B/...Sandwich plate valve

### Ordering details

Phosphate ester

**Z2S**    —    /    \*

Further details in clear text

Size 6	= 6
Size 10	= 10
Size 16	= 16
Size 22	= 22

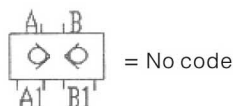
No code	=	Mineral oil
V	=	Phosphate ester

20= Series 20 to 29(20 to 29:unchange installation and connection dimensions)  
(For size 10)

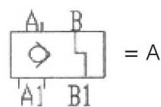
30= Series 30 to 39(30 to 39:unchange installation and connection dimensions)  
(For size 16、 22)

40= Series 40 to 49(40 to 49:unchange installation and connection dimensions)  
(For size 6)

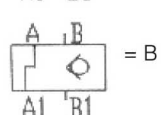
Leak-free closure of ports A and B



Leak-free closure of ports A



Leak-free closure of ports B



(Only for size 10)

1=	Cracking pressure	0.15MPa
2=	Cracking pressure	0.3MPa
3=	Cracking pressure	0.6MPa

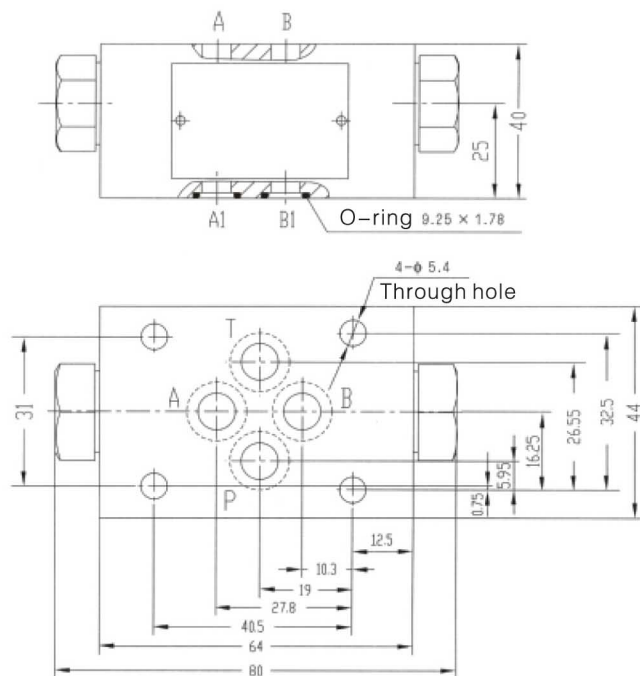
## Technical data

Size		6	10	16	22		
Max. flow	L/min	to 60	to 120	to 200	to 360		
Max. operating pressure	MPa	to 31.5					
Cracking pressure	MPa	0.15	0.15	0.3	0.6	0.25	0.25
Direction		from A1 to A or B to B1 from B1 to B or A1 to A					
Area ratio		A1/A2=1:3	A1/A2=1:2.86 A3/A2= 1:11.45	A1/A2=1:11.8 A3/A2=1:2.8	A1/A2=1:13.6 A3/A2=1:2.8		
Pressure fluid		Mineral oil or Phosphate ester					
Pressure fluid temperature range	°C	-30~+80					
Viscosity range	mm <sup>2</sup> /s	2.8~500					
weight		0.8	2	7	11.7		

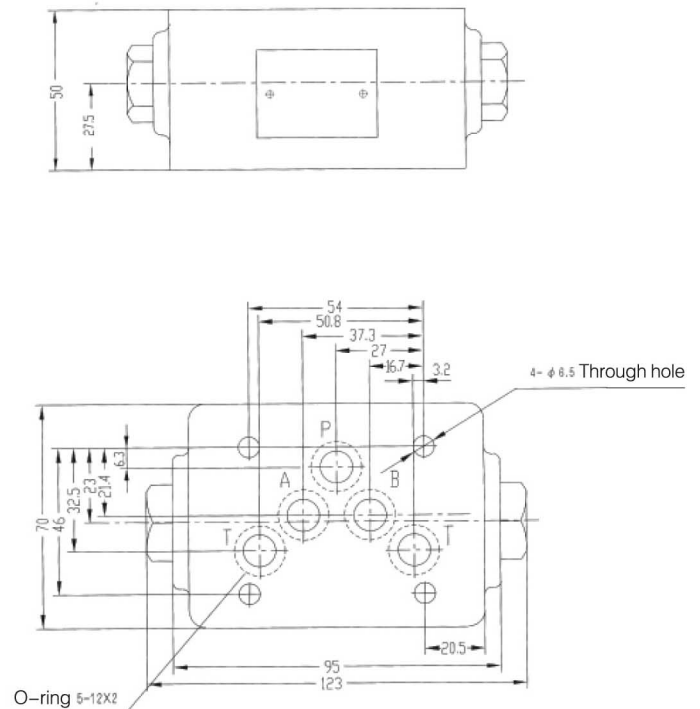
## Unit dimensions

Dimensions in mm

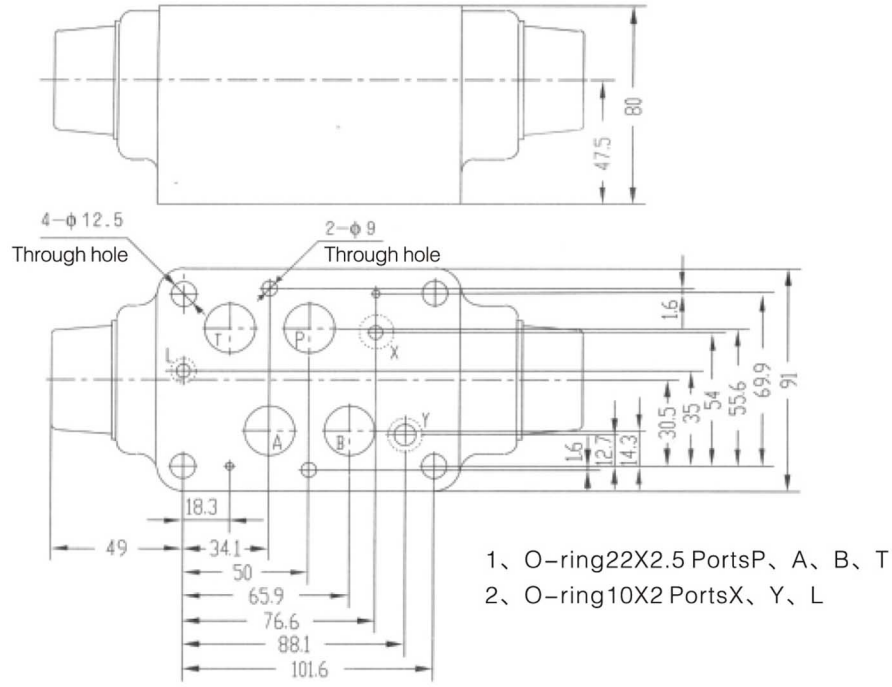
Size 6



Size 10



Size 16



Size 22

