

TANDEM ROLLER

# SR13D

A big workhorse for top surface pavement treatment

- ▶ Engine model: Cummins 4BTAA3.9-C
- ▶ Rated power: 93 kW/2200 rpm
- ▶ Operating weight: 13.0 t

### Product features

This workhorse comes standard with an Dongfeng Cummins 4BTAA3.9-C non electric controlled diesel engine. It features a modular design that is highly conducive for easy access repairs and maintenance. Its articulated frame and static amplitude characteristics provide a great deal of stable operations. It also has a high-frequency (50 Hz) vibratory design built into it for excellent use on thin layers. The machine sports a three-stage vibration-reduction system and a well-sealed cabin for optimal operator comfort.



shantui e-shop

# SHANTUI

VALUE THAT WORKS

Shantui Construction Machinery Co., Ltd.

ADDRESS:  
No. 58, G327 Highway  
Jining City, Shandong, CHINA

TEL: +86-537-2909369  
FAX: +86-537-2311219  
EMAIL: trade@shantui.com

TANDEM ROLLER

# SR13D

Technical specifications:

Overall length: 5775 mm

Minimum turning radius: 3870/6000 mm


Overall width: 2225 mm


Steering angle (Grad): ±23°


Overall height: 3135 mm


Oscillating angle (Grad): ±12°


SR13D

|  |                |                              |              |
|--|----------------|------------------------------|--------------|
|  <p>WEIGHT AND DIMENSIONS</p> | Weights        | Operating weight             | 13000 kg     |
|  |                | Axle load, drum              | 6500 kg      |
|  |                | Axle load, wheel             | 6500 kg      |
|  |                | Static linear load (at drum) | 300/300 N/cm |
|  | Drum and tires | Maximum working width        | 2130 mm      |
|  |                | Drum diameter                | 1250 mm      |
|  |                | Drum shell thickness         | 20 mm        |

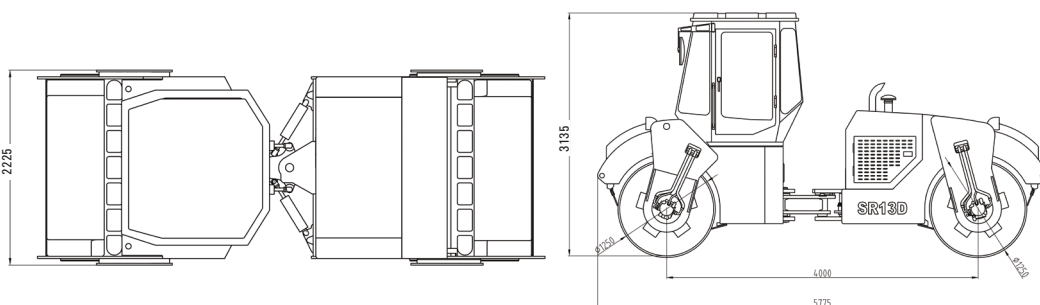
|   |                   |                |         |
|---|-------------------|----------------|---------|
|  <p>VIBRATORY SYSTEM</p> | Frequency         | High amplitude | 50 Hz   |
|   |                   | Low amplitude  | 50 Hz   |
|   | Nominal amplitude | High           | 0.66 mm |
|   |                   | Low            | 0.36 mm |
|   | Centrifugal force | Maximum        | 160 kN  |
|   |                   | Minimum        | 86 kN   |

|  |                         |             |           |
|--|-------------------------|-------------|-----------|
|  <p>DRIVE TRAIN</p> | Forward speed           | I           | 0~10km/h  |
|  | Reverse speed           | I           | 0~10 km/h |
|  | Maxium climbing ability | 30%         |           |
|  | Drive system            | Hydrostatic |           |

|  |                     |                    |  |
|--|---------------------|--------------------|--|
|  <p>POWER TRAIN</p> | Make & model        | Cummins 4BTAA3.9-C |  |
|  | Type                | Turbocharged       |  |
|  | Fuel capacity       | 300 L              |  |
|  | Cool                | Water              |  |
|  | Number of cylinders | 4-105X120          |  |
|  | Rated power         | 93 kW              |  |
|  | Rated speed         | 2200 rpm           |  |

|   |          |                 |                           |
|---|----------|-----------------|---------------------------|
|  <p>CABIN &amp; CONTROLS</p> | Brakes   | Service brake   | Hydrostatic               |
|   |          | Parking brake   | Hydrostatic               |
|   | Steering | Steering system | Oscillating, articulating |
|   |          | Steering method | Hydrostatic               |

OVERALL DIMENSIONS



▶ THE SPECIFICATIONS ARE SUBJECT TO CHANGE WITHOUT NOTICE. THE PICTURES MAY INCLUDE OPTIONS. THE ACTUAL COLOR & APPEARANCE OF THE PRODUCT MAY DIFFER FROM WHAT IS SHOWN.