

PNEUMATIC ROLLER

SR26T

Ready for heavy-duty roadwork

- ▶ Engine model: Shangchai SC7H160.2G3
- ▶ Rated power: 115 kW/2000 rpm
- ▶ Max. operating weight: 26 t

Product features

With electrohydraulic transmission control, torque converter, smooth, non-impact drive system for decreased shearing, double ground friction breaking torque, the Shantui SR26T is ready to hit the road and get the job done. Dual safety systems plus left and right directional foot accelerators, foot brake and electronic gauges help keep the SR26T productive. Powered by an in-line, water-cooled, four-cylinder turbo-charged direct-injection Shangchai SC7H160.2G3 engine.



SHANTUI

VALUE THAT WORKS

Shantui Construction Machinery Co., Ltd.

ADDRESS:
No. 58, G327 Highway
Jining City, Shandong, CHINA

TEL: +86-537-2909369
FAX: +86-537-2311219
EMAIL: trade@shantui.com

PNEUMATIC ROLLER

SR26T

Technical specifications:

Overall length: 5060 mm


Minimum turning radius: 9000 mm


Overall width: 2892 mm


Fuel capacity: 180 L

Overall height: 3338 mm

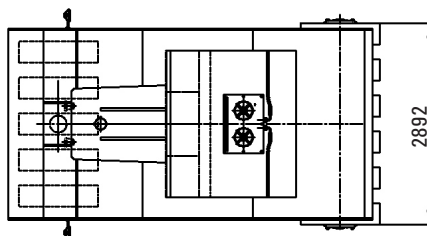
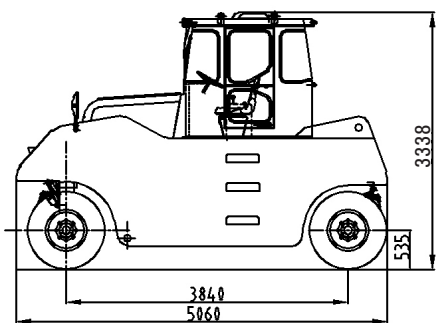
SR26T

	WEIGHT AND DIMENSIONS	Weights	Minimum operating weight	15950 kg
			Metal ballast	7350 kg
			Water ballast	2700 kg
			Maximum working weight	26000 kg
		Compaction characteristic	Working width	2750 mm
			Tire distance	490 mm
			Ground pressure	200~425 kPa
			Wheelbase	3840 mm
			Front/rear tire overlap	50 mm
		Tires	Front tire oscillation	±50 mm
Number of tires, front/rear	Front: 5/rear: 6			
Tire size	11.00-20-16PR			

	ENGINE AND DRIVE TRAIN	Engine	Make & model	Shangchai SC7H160.2G3	
			Type	Turbocharged	
			Fuel	Diesel	
			Cooling	Water	
			Number of cylinders	6	
			Rated power	118 kW	
			Rated speed	1800 rpm	
			Drive train	Minimum ground clearance	303 mm
		Maximum climbing ability		20 %	
		Forward speed		I	0~8 km/h
				II	0~20 km/h
		Reverse speed		I	0~8 km/h
			II	0~20 km/h	

	CABIN & CONTROLS	Electrical system	DC, negative ground	24 V
			Alternator	28 V, 55 A
		Brakes	Service brake	Caliper dry disc
			Parking brake	Spring-loaded/mechanical
		Steering	Steering system	Hydraulic
			Steering method	Articulation
			Steering angle	±33°
			Steering radius	8.5 m

OVERALL DIMENSIONS



▶ THE SPECIFICATIONS ARE SUBJECT TO CHANGE WITHOUT NOTICE. THE PICTURES MAY INCLUDE OPTIONS. THE ACTUAL COLOR & APPEARANCE OF THE PRODUCT MAY DIFFER FROM WHAT IS SHOWN.