



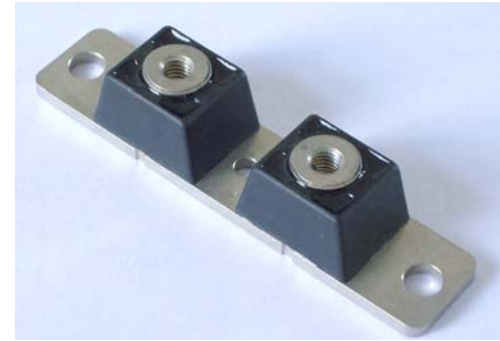
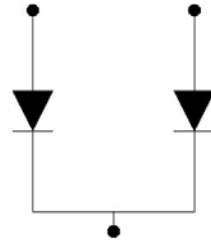
MUR200A/100V THRU MUR200A/600V

Fast Recovery Diode Module

$I_F=100A$

$V_{RRM}=100V-600V$

V_{RSM}	V_{RRM}	TYPE
V	V	
120	100	MUR20010CT
220	200	MUR20020CT
420	400	MUR20040CT
620	600	MUR20060CT



Features

- Glass passivated chips
- Low forward voltage drop

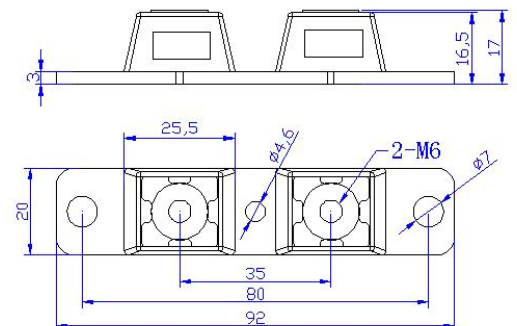
Applications

- high frequency rectifying for invert electric welding machine
- high frequency rectifying for plating power supply
- Rectifying below 20KHz

Virtues

- easy mounting
- small volume, light weight
- small thermal resistance
- high heat conduction rate
- low temperature rise

Dimension (mm)



Symbol	Conditions	Maximum ratings
I_{FAV} (per leg)	$T=150^{\circ}C$, module	85 A
I_{FAVM} (per leg)	$T=112^{\circ}C$, module	100 A
I_{FSM} (per leg)	$T_{VJ}=45^{\circ}C$ $t=10ms$ (50Hz),sine	1500 A
	$V_R=0$ $t=8.3ms$ (60Hz),sine	1600 A
I^2t (per leg)	$T_{VJ}=45^{\circ}C$; $t=10ms$ (50Hz),sine	25000 A
	$V_R=0$ $t=8.3ms$ (60Hz),sin	25000 A
T_{VJM}		150 $^{\circ}C$
T_{VJ}		-40...+150 $^{\circ}C$
T_{STG}		-40...+125 $^{\circ}C$
$T_{rr} T_{VJ}=25^{\circ}C$		
	$V_{RRM} : 100V \setminus 200V \setminus 400V$ ($I_F=1A$ $di/dt=50A/us$)	≤ 100 ns
	$V_{RRM} : 600V$ ($I_F=1A$ $di/dt=50A/us$)	≤ 150 ns
M_d	Mounting torque (M5)	$5 \pm 15\%$ Nm
Weight	type	97 g

Symbol	Conditions	Characteristics
I_R	$T_{VJ}=25^{\circ}C$ $V_R=V_{RRM}$	≤ 0.5 mA
	$T_{VJ}=125^{\circ}C$ $V_R=V_{RRM}$	≤ 5 mA
V_{FM}	$I_{FM}=200A$ $T_{VJ}=25^{\circ}C$ (one unit)	
	$V_{RRM} : 100V \setminus 200V$	≤ 1.05 V
	$V_{RRM} : 400V \setminus 600V$	≤ 1.15 V
$R_{th(JC)}$	Per module	0.22 $^{\circ}C/W$