



Power capacitors application solution for induct furnace / switch on and off / welding machine power supply

**RFM series, super audio water-cooled electric capacitance**

Function and Application:

To be applied for A/c harmonic voltage  $\leq 4.0KV$ , Frequency  $< 50KHz$  induct heat power supply , To provide reactive power capacitive current

The technology unique point:

The whole film oil-immersed structure NO PCB

- Single water/grouping scheme can be customized
- The outlet temperature of the cooling water to pure water,  $< 40\text{ }^{\circ}C$

Conditions of use/technical parameters/product standards

Temperature range:  $25\text{ }^{\circ}C \sim + 50\text{ }^{\circ}C$

The outlet temperature of the cooling water to pure water,  $< 40\text{ }^{\circ}C$

Rated voltage UN:  $1 \sim 4.0\text{ KV}$

Rated frequency FN:  $< 50\text{ KHZ}$

QN the rated capacity:  $500 \sim 2000\text{ kar}$

The maximum current:  $\leq 1000A$

Product standards: IEC60110-1 (1998)

GB/T3984.1-2004 (also can be made according to customer standard)

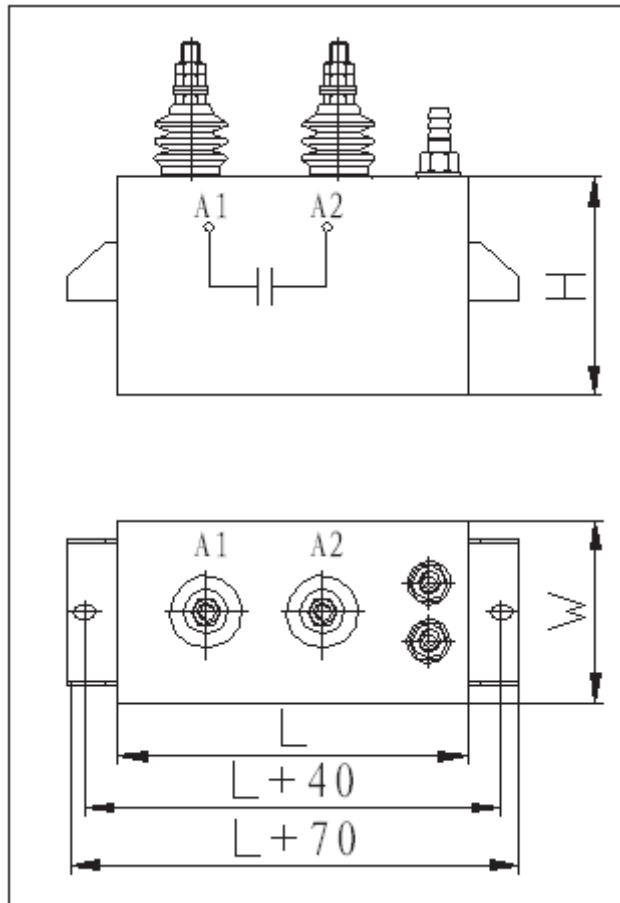


**Specification:**

RAM $U_N$ ——— $Q_N$ ——— $F_N$										
Type	Rated voltage: U $U_N \cdot KV$	Nominal capacity: $Q_N \cdot Kar$	Rated frequency $F_N \cdot KHz$	Rated capacitance: $C_N \cdot \mu F$	Rated current $I_N \cdot A$	L mm	W mm	H mm	Group	Note
RFM3.0-500-15S	3.0	500	15	0.59	167	303	122	165	NO	
RFM4.0-1050-35S	4.0	1050	35	0.298	263	303	122	165	NO	
RFM <sub>3</sub> 3.0-500-30S	3.0	500	30	0.295	167	240	125	150	NO	
RFM3.0-560-25S	3.0	560	25	0.396	187	303	122	165	NO	

Type	Rated voltage:U UN • KV	Nominal capacity: QN • Kar	Rated frequency FN • KHz	Rated capacitance: CN • uF	Rated current IN • A	L mm	W mm	H mm	Group	Note
RFM3.0-680-20S	3.0	680	20	0.601	227	303	122	165	NO	
RFM4.0-694-23S	4.0	694	23	0.300	174	240	125	150	NO	
RFM4.0-700-30S	4.0	700	30	0.232	175	303	122	165	NO	
RFM4.0-750-25S	4.0	750	25	0.298	189	303	122	165	NO	
RFM4.0-804-20S	4.0	804	20	0.400	201	285	125	170	NO	

**Product schematic diagram (Three view drawing) :**



Tel: +86-514-87782298, 87782296  
E-mail :positioning@china.com;

FAX:+86-514-87782297, 87367519  
WEBSITE: <http://www.pst888.com>