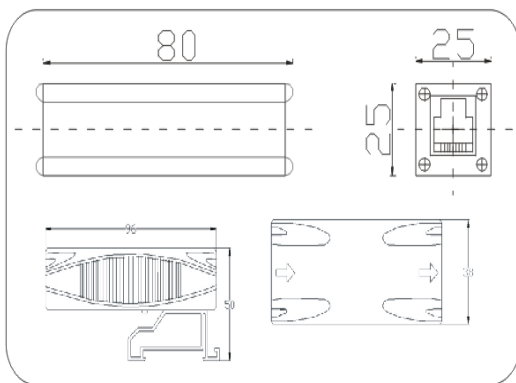


**Communication line lightning arrester**



**Product size chart**

**Brief Introduction to Product**

This product has very low output residual voltage and it can ensure the quick response time. The interface mode has the choices of RJ11, RJ45 and connection terminal, and so on. The protective lines can be divided into single line type, double-line type or multi-line type. The product can be selected separately. It is typically applied to telephone, ADSL, DDN, ISDN, fax machine, modem and SPC exchange.



**Technical Parameters List**

Model	YZPST-XT-RJ11	YZPST -XT-ISDN	YZPST -XT-DDN	YZPST -XT-ADSL
Nominal working voltage Un	<b>180V</b>	<b>48V</b>	<b>48V</b>	<b>180V</b>
Maximum continuous working voltage Uc	<b>200V</b>	<b>55V</b>	<b>55V</b>	<b>200V</b>
Nominal discharge current In (8/20μ s)	<b>2.5KA</b>	<b>2.5A</b>	<b>2.5KA</b>	<b>2.5KA</b>
Maximum discharging current I <sub>max</sub> (8/20μ s)	<b>5KA</b>	<b>5KA</b>	<b>5KA</b>	<b>5KA</b>
1KV/ μ s Voltage protection level Up	(X-X)	<b>220V</b>	<b>64V</b>	<b>64V</b>
	(X-G)	<b>220V</b>	<b>64V</b>	<b>64V</b>
Response time T <sub>a</sub>	<b>≤1ns</b>			
Insertion loss	<b>≤0.2dB</b>			
External dimension	<b>80*25*25mm/96*50*38mm</b>			
Series impedance R	<b>4Ω</b>			
Data transmission rate	<b>2Mbps</b>			
Protection grade	<b>IP20</b>			
Sheathing material	<b>Shielding metal aluminum/Shielding plastic fire-proof box</b>			
Operating temperature range T <sub>up</sub>	<b>-40℃ to +70℃</b>			
Interface mode	<b>RJ11/RJ45/Terminal</b>			
Number of protection lines	<b>2,3 line or 1,4 line</b>			

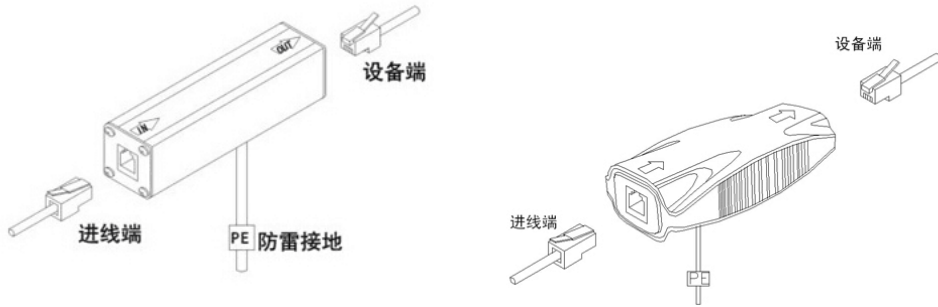
**Installation method**

Put an arrester in series at the leading end of the line interface of the protected equipment."OUT" is equipment end and "IN" is line-in end.Connect the arrester ground terminal and lightning protection ground lead well (suggested earth resistance ≤4Ω)



Product wiring diagram

产品接线图:



®

Tel: +86-514-87782298, 87782296      FAX: +86-514-87782297, 87367519

E-mail: [positioning@china.com](mailto:positioning@china.com); [info@yzpst.com](mailto:info@yzpst.com); [info@stt.tm](mailto:info@stt.tm); [info@goldstar.tm](mailto:info@goldstar.tm)

Web Site: [www.yzpst.com](http://www.yzpst.com) [www.stt.tm](http://www.stt.tm) [www.goldstar.tm](http://www.goldstar.tm) [www.Pst888.com](http://www.Pst888.com)

[www.positioning.en.alibaba.com](http://www.positioning.en.alibaba.com) [www.pst.manufacturer.globalsources.com](http://www.pst.manufacturer.globalsources.com)