

SP(R) 系列液下渣浆泵

Series SP(R) Sump Slurry Pump



• 公司简介 Enterprise Profile

石家庄翔浩机械有限公司，是以矿山、电力用渣浆泵、脱硫泵、疏浚泵、清水泵为主的工业水泵专业生产企业，集研发、设计、制造、营销、服务为一体，具有严格的质量保证及科学完善的服务体系。

公司技术力量雄厚，拥有资深的水泵设计、制造、应用工程师团队，立足持续为用户带来更大价值，不断提高服务水平与质量。我们不单单向用户提供产品，还可依据客户的工矿需求，采用系统一体化的设计方法，为客户提供渣浆输送的一整套解决方案，使得用户在环保、节能、运营持久、降低产品使用成本等方面取得了显著效果。

公司坚持“技术创新化、管理严格化、生产定制化、服务专业化”的经营理念，全力提升企业现代化管理水平，使企业实现了持续快速发展。

公司的主要产品为ZGB、ZJ、AH、HH、M型渣浆泵、WN型挖泥泵、TL型脱硫泵、G型砂砾泵、SP型液下泵、HDSN型双吸泵、WQ型潜污泵、IS型清水泵等，广泛应用于环境保护工程、

污水处理、城市工厂给排水、各种水利工程、冶金、矿山、电力、煤炭、疏浚、采砂、石油化工、建材、火电烟气脱硫等等诸多领域。国内市场占有率逐年递增，国际市场的占有份额不断提升，产品出口至东南亚、北美、欧洲、中亚、东亚等多个国家和地区。

长期以来，本公司坚持“诚信为本、客户至上”的原则，与众多厂家建立了长期合作关系，并赢得了广大客户的一致好评！

坚信凭借我们更优的产品，完善的服务，良好的信誉，必将赢得更多用户！

Shijiazhuang Soarho Machinery CO.,LTD, is a professional manufacture base of slurry pump, mine pump, FGD pump, dredge pump and clean water pump, combining scientific research, design, manufacture, marketing and service in one, with strict quality control system and science complete service system.

Having strong technical force, the company which has a senior pump design, manufacturing and application engineer team, continues to improves level and quality of service in order to bring greater value to the users. We not only provide products to users, but also provide a complete solution for slurry transportation for user to achieve a significant effect in environmental protection , energy saving , lasting trouble-free operation and cost reduction and so on, adopting a systematic and integrated design method and according to the working condition and the needing of user.

Adhering to the concept of 'technical innovation', 'strict management', 'customized production' and 'professional service', we strive to improve the modern management level and make the enterprises achieve sustained and rapid development.

The main products of the company are ZGB,ZJ,AH,HH,M slurry pumps ,WN dredge pumps , TL FGD pumps, G gravel pumps, SP sump pumps, HDSN double suction pumps. WQ submersible sewage pumps, IS clean water pumps and so on. They are widely used in many fields, such as environmental protection engineering, sewage treatment, municipal factory and water supply and drainage, various water conservancy projects, metallurgy, mine, electric power, coal, dredging, sand mining, petrochemical, building materials, thermal power flue gas desulfurization etc. The share of domestic market is increasing year by year, and the share of the international market is increasing. Products exported to Southeast Asia, North America, Europe, Central Asia, East Asia and many other countries and regions.

For a long time, adhering to the principle of "honesty and customer first", our company has established a long-term cooperative relationship with many manufacturers, and has won the praise of the customers.

Firmly believe that we will win more users by virtue of our better products, perfect service and good reputation.

• 产品介绍 Product Introduction

SP(R)系列液下渣浆泵为立式离心渣浆泵，浸入液下，适于输送磨蚀性，粗颗粒、高浓度渣浆。不需要任何轴封和轴封水，在吸入量不足的工况下也能正常工作。SP型泵过流部件由耐磨金属制成。SPR型泵浸入液下的零部件均有橡胶内衬，适用于输送无棱角的磨蚀性渣浆。

SP(R)系列液下渣浆泵主要用于污水处理，农田灌溉，火电厂烟气脱硫、矿山、冶金，市政、电力、煤炭、石油、化工、建材等行业。

SP(R) series sump slurry pump are vertical, centrifugal slurry pumps submerged in water to work. They are designed for delivering abrasive, large particle and high-density slurries. These Pumps needn't shaft sealing or sealing water. They are able to operate normally under condition of insufficient suction volume. Wet parts of type SP pump are made of abrasion-resistant metal. All parts of type SPR Pump immersed in liquid are lined with rubber outer liner. They are suited to transport non-edge angle corrosive slurry.

SP(R) series sump pump is widely applied to Sewage treatment ,metallurgy, mining, coal, power plant, building materials industries and so on.

• 产品特点 Product Feature

- 1、采用立式悬臂式、单泵壳结构。
- 2、双吸、半开式叶轮设计，采用耐磨合金或橡胶叶轮。
- 3、筒式轴承组件，选用高容量轴承设计，轴承采用脂润滑。
- 4、可调节叶轮与护板之间的间隙，保证泵的高效运行。
- 5、无需任何轴封。
- 6、泵与驱动机可选用直联传动、三角带传动。

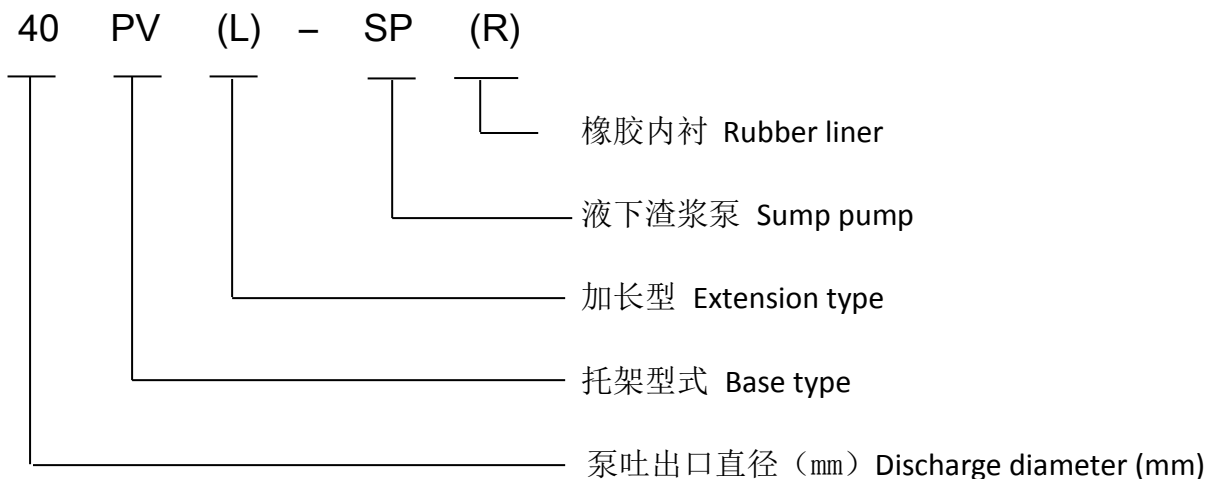
7、加长轴系列的液下泵，可适用于液位较深的工况，这种泵在标准泵的基础上增加了导轴承结构，运转更平稳，适用更广泛。但在导轴承部位需要附设冲洗水。

1. Vertical, centrifugal and Single-casing structure.
2. The Impeller is double suction half-open structure, adopts wear-resistant alloy or rubber.
3. The bearing assembly is cylinder type structure, the bearing could be lubricated by grease.
4. The clearance between the impeller and the cover plate could be adjusted to ensure the pump to operate at high efficiency point.
5. Needn't shaft sealing or sealing water.
6. Direct drive, V-belt drive could be selected to connect with the drive.
7. The lengthened shaft series of sump pump can be applied to the condition of deep liquid level. This kind of pump has added guide bearing structure on the basis of standard pump, which makes the operation more stable and applies more widely. However, the bearing should be equipped with flush water.

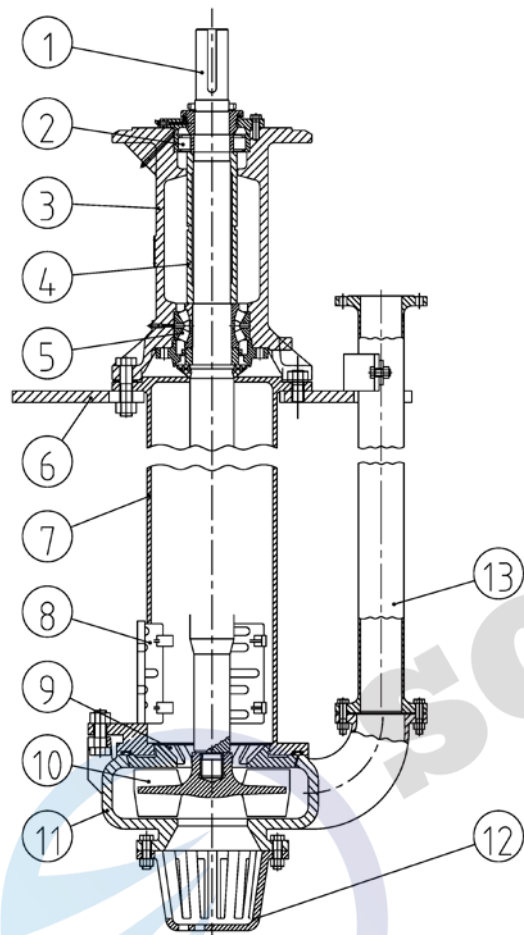
- **性能范围 Range of Performance**

流量 Capacity Q: 17-1267m³/h
 扬程 Head H: 4-40m
 吐出口直径 Discharge diameter: 40-300mm

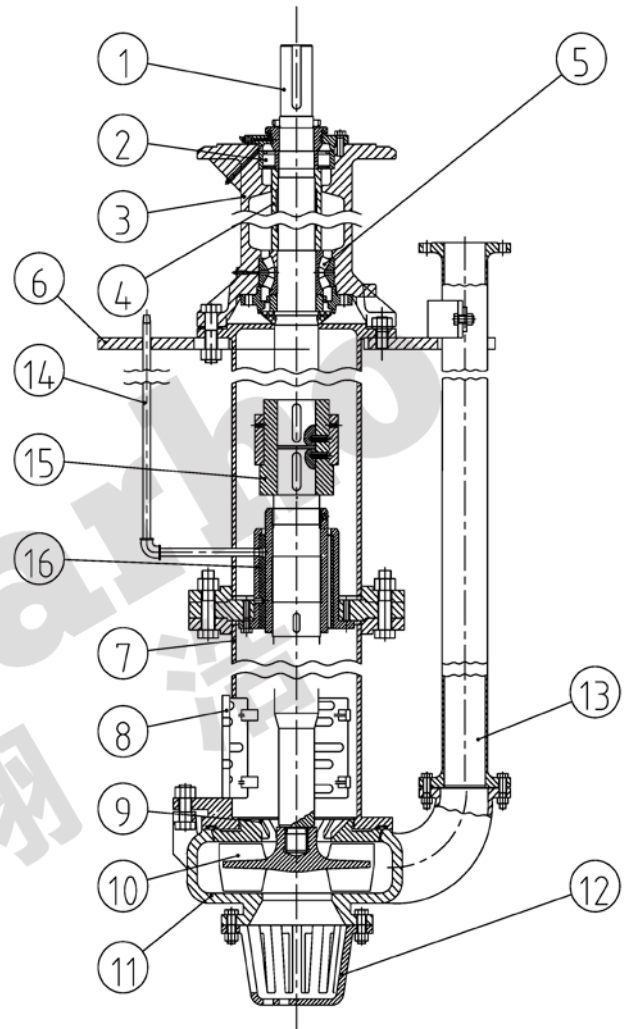
- **型号说明 Model Code**



• 结构图 Construction description



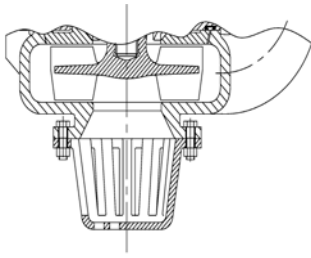
标准型 Standard type



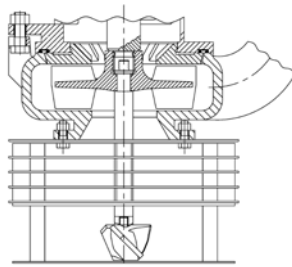
加长型 Extension type

- | | | |
|------------------------|-------------------------------------------------------|-----------------------|
| 1 轴 Shaft | 2 圆柱滚子轴承 Cylindrical roller bearing | 3 轴承体 Bearing housing |
| 4 轴承挡套 Bearing spacer | 5 双列调心圆锥滚子轴承 Double row center conical roller bearing | |
| 6 安装板 Mounting plate | 7 支架 Column support | 8 滤网 strainer |
| 9 后护板 Rear liner | 10 叶轮 Impeller | 11 泵体 Pump casing |
| 12 下滤网 Lower strainer | 13 吐出管 Discharge pipe | 14 水封管 Flushing pipe |
| 15 联轴器部件 Coupling part | 16 中间支承部件 Middle supporting part | |

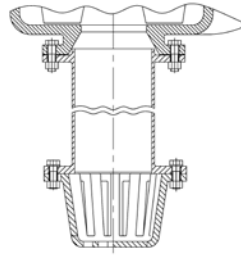
- 泵进口结构型式 **Type Of Pump Inlet Construction**



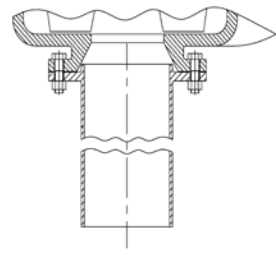
标准带滤网型式
Standard type
with strainer



带搅拌轮型式
With agitator

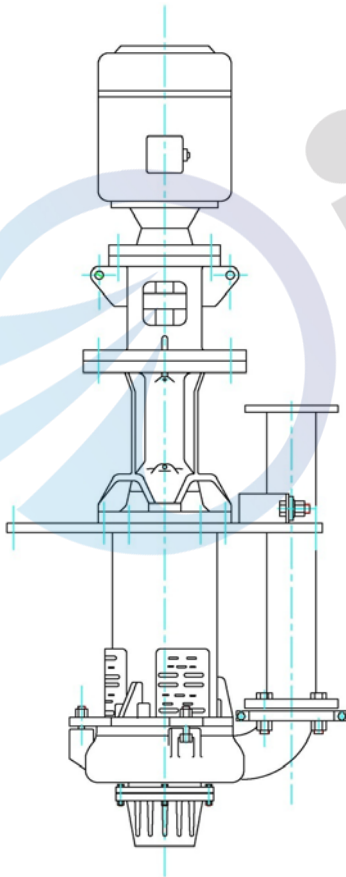


加吸入管带滤网型式
Suction pipe
with strainer

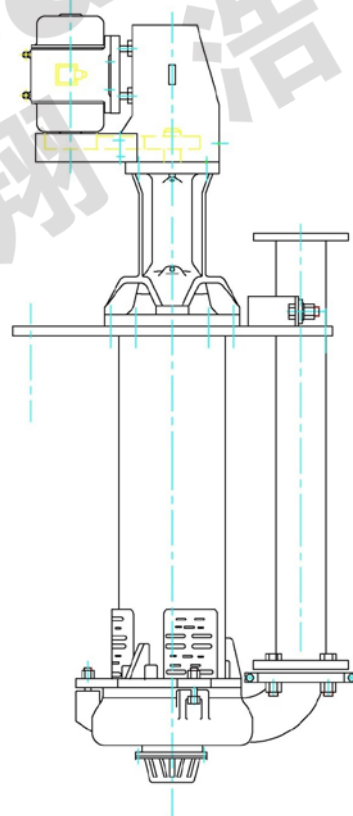


加吸入管不带滤网型式
Suction pipe
without strainer

- 传动型式 **Drive type**



DC 传动 (直联传动)
DC Drive (Direct drive)

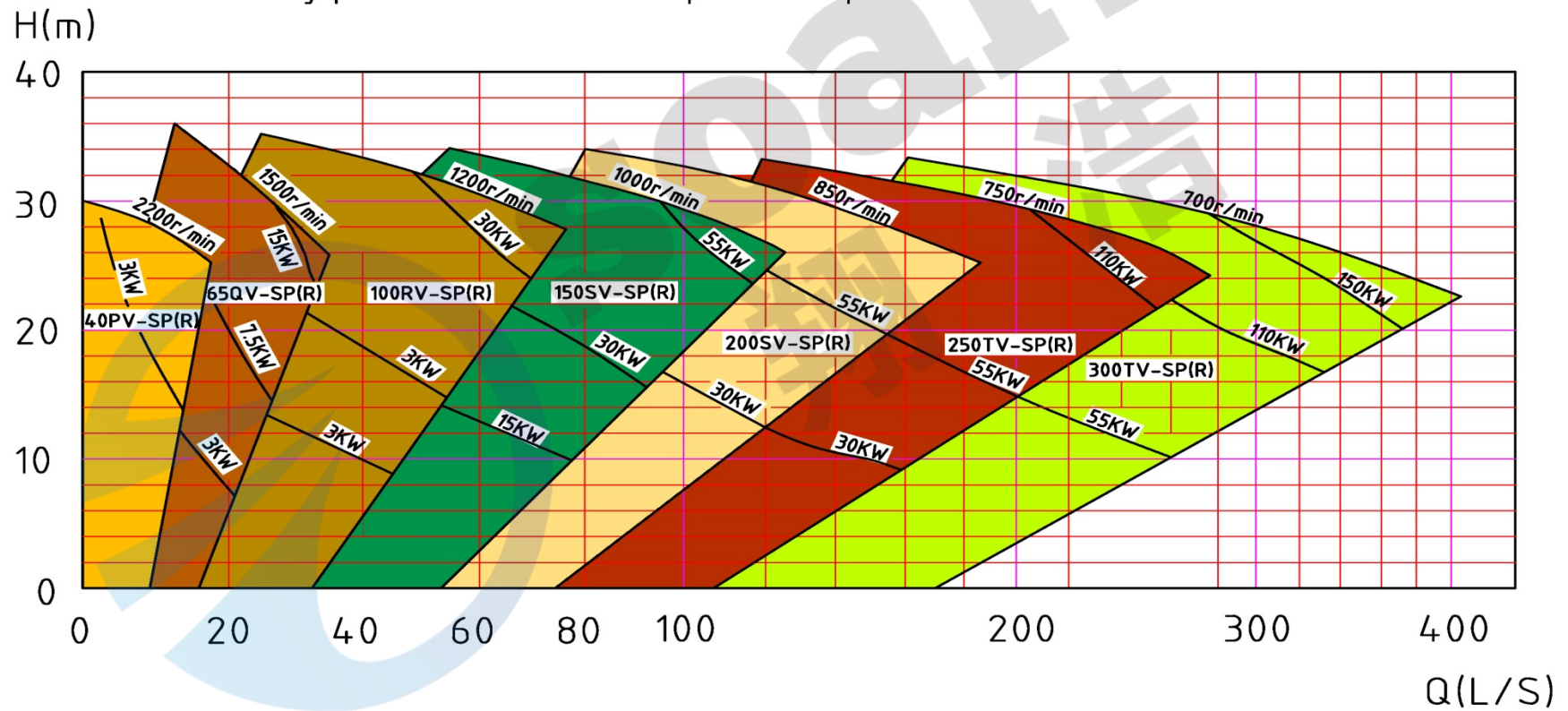


BD 传动 (皮带传动)
BD Drive (V-belt drive)

- 型谱 Selection Chart

SP(R) 型液下泵型谱

Type SP(R) Sump Pumps Selection Chart



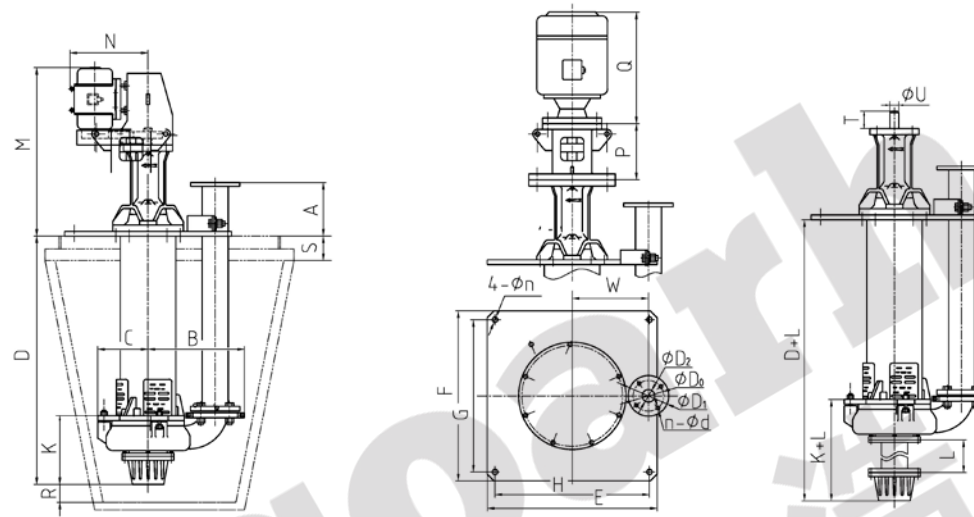
• 性能参数表 Performance List

型号 Type	允许配带最大功率 Allowable mating MAX. power (KW)	材质 Material		清水性能 Clear water performance					泵重 Pump weight (kg)	
		护套 liner	叶轮 Impeller	流量 Capacity		扬程 Head (m)	转速 Speed (r/min)	最高效率 MAX.Eff (%)		叶轮直径 Impeller Dia. (mm)
				(m ³ /h)	(l/s)					
40PV-SP	15	M	M	19.44~43.2	5.4~12	4.5~28.5	1000~2200	40	188	285
40PV-SPR		RU	RU	17.28~39.6	4.8~11	4~26	1000~2200	41	188	285
65QV-SP	30	M	M	23.4~111	6.5~30.8	5~29.5	700~1500	52	280	432
65QV-SPR		RU	RU	22.5~105	6.25~29.15	5.5~30.5	700~1500	52	280	317
100RV-SP	75	M	M	54~289	15~80.3	5~35	500~1200	57	370	867
100RV-SPR		RU	RU	64.8~285	18~79.2	7.5~36	600~1200	62	370	837
150SV-SP	110	M	M	108~479.2	30~133.1	8.5~40	500~1000	56	450	1737
150SV-SPR		RU	RU	108~460.8	30~128	7~36	500~1000	57	450	1180
200SV-SP	110	RU	RU	189~891	52.5~247.5	6.5~37	400~850	65	520	2800
250TV-SP	200	M	M	261~1089	72.5~302.5	7.5~33.5	400~750	60	575	3700
300TV-SP	200	M	M	288~1267	80~352	6.5~33	350~700	62	610	3940

注：“M”：金属耐磨材料，“RU”：橡胶。

NOTE: "M": alloy wear-resistant material, "RU": rubber.

• 外形尺寸图 Outline Drawing



型号 Type	泵头尺寸 Pump head dimensions													极限配带功率尺寸 Max. dimensions with motor				吐出口法兰 Discharge flange				轴伸尺寸 Shaft end dimensions		泵重 Pump weight
	A	B	C	D	E	F	G	H	J	n	K	S	W	M	N	P	Q	D ₁	D ₂	D ₀	n-φd	U	T	
40PV-SP	137	285	153	900*/1200 (1800*/2000/2500)	500	500	450	450	205	18	174	280	205	1113	675	248	629	127	40	98	4-16	40	85	285
40PV-SPR	140	265	175		1113	200																		
65QV-SP	227	399	231	900*/1200/1500 (2200*/2500/2800)	680	680	620	620	285	18	265	350	285	1390	794	290	681	178	65	140	4-19	50	110	432
65QV-SPR	230	380	260											1396										313
100RV-SP	265	538	317	1200/1500*/1800/2000/2400 (2700*/3000/3200)	1000	870	800	930	400	22	393	350	400	1803	1020	416	960	229	100	191	8-19	80	170	867
100RV-SPR	266	535	332											1809										627
150SV-SP	390	670	365	1500/1800*/2100 (2800*/3200/3400/3600)	1100	1100	1030	1030	500	28	475	350	500	2186	1200	476	1011	280	150	241	8-22	100	210	1737
150SV-SPR	395	670	400											2194										1180
200SV-SP	500	930	470	1500/1800*/2100 (2800*/3200/3600)	1300	1200	1100	1200	600	28	550	350	600	2191	1300	476	1011	343	200	298	8-22	100	210	2800
250TV-SP	500	1170	559	1800/2100*/2400 (2800*/3200/3600)	1300	1200	1100	1200	600	28	550	350	700	2572	1750	561	1246	406	250	362	12-25	100	210	3700
300TV-SP	400	1090	630		1750	1450	1350	1650	700	48	685	400		2476	1750	561	1246	483	300	432	12-25	100	210	3940

注：1.L 尺寸为 300/600/900/1200/1500/1800；2.R 尺寸范围为 300-500；3.所有长度尺寸单位均为 mm。4.D 尺寸中带“*”为标准泵长度，带括号的尺寸为加长型

Note: 1.L size:300/600/900/1200/1500/1800; 2.R dimension range:300-500; 3.All length dimension are mm. 4.The "*" in D size is the standard pump length, and the size with brackets is the extension type