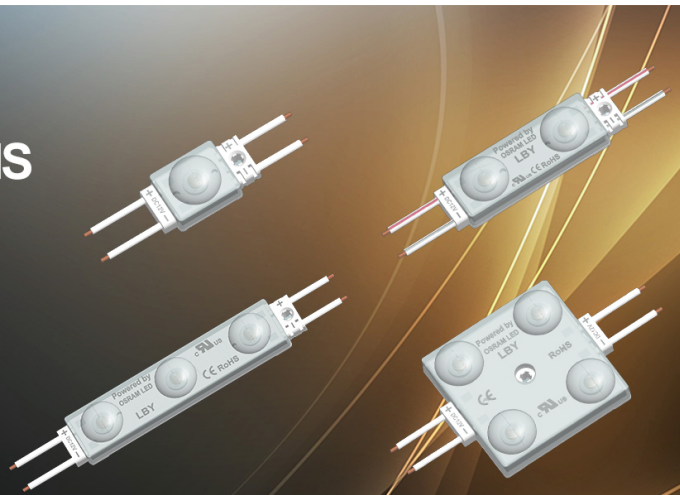


## HIGH LEVEL SIGNAGE SOLUTIONS

Powered by **OSRAM LED**

170° degree beaming angle  
50 modules per string.



### Features >

- Sourced by high output OSRAM LED, good color conformity and no spot.
- 99.99% gold thread, pure copper bracket coated with silver.
- Constant current driving technology guarantees stable performance of product.
- SDCM≤5 each BIN.
- Special lens design, 170°beaming angle with even light.
- Overmoulded: anti-dusting, anti-moisture, waterproof, anti-shock.
- 50 pcs Max.(constant voltage) in a series connection.
- CE, ROHS and UL certified.

### Application >

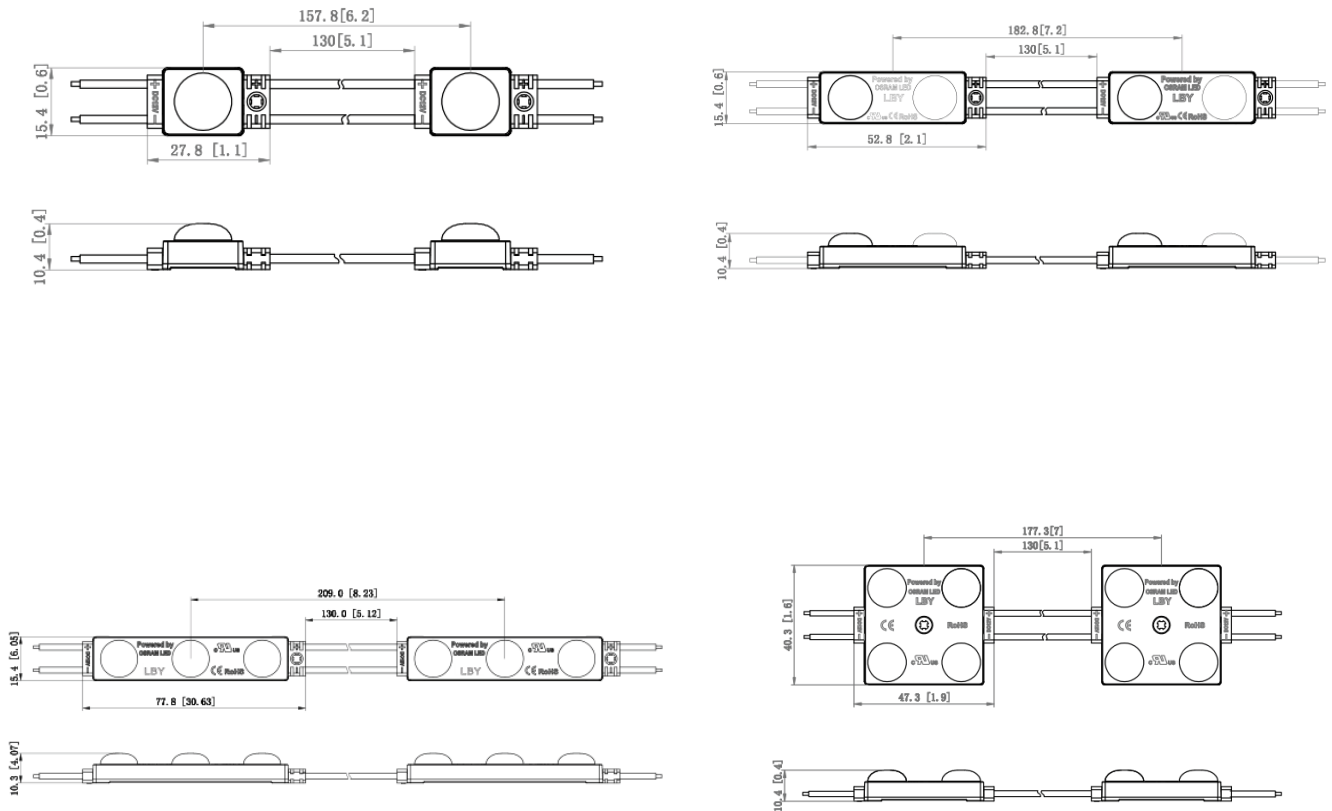
- Best for 3-18 cm depth illuminate letter or light box at airports, metros, banks, buildings and shopping malls, etc

# Parameters

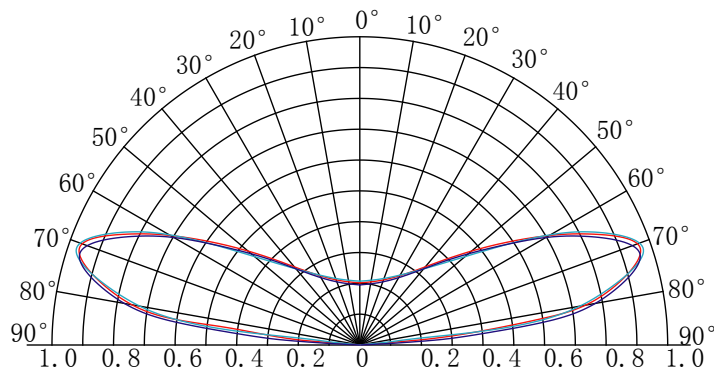
Items	Parameters			
Part Number	ZR01QB1	ZR02QB1	ZR03QB1	ZR04QB1
CCT ( K )	6500K	6500K	6500K	6500K
Beaming Angle ( ° )	170	170	170	170
CRI ( Ra )	≥80	≥80	≥80	≥80
Luminous Flux ( lm )	50	100	150	200
Voltage ( V )	DC12V	DC12V	DC12V	DC12V
Power ( W )	0.5	1	1.5	2
Driving Method	constant current	constant current	constant current	constant current
Dimension ( mm )	27.8*15.4*10.4	52.8*15.4*10.4	77.8*15.4*10.4	47.3*40.3*10.4
Weight ( g )	8	9.5	10.5	12
Working Tem. ( °C )	-25 ~ +60	-25 ~ +60	-25 ~ +60	-25 ~ +60
Storage Tem. ( °C )	-25 ~ +70	-25 ~ +70	-25 ~ +70	-25 ~ +70
Protection Grade	IP68	IP68	IP68	IP68

# Dimension

Unit:mm



Beaming Angle >



Beaming Angle 170°

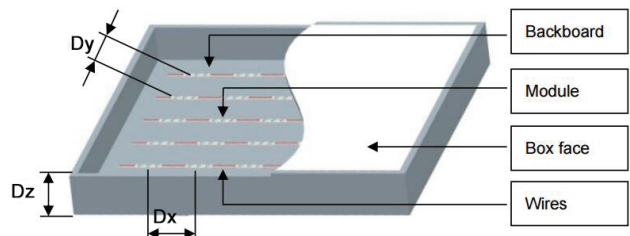
Reference Scheme >

ZR03QB1

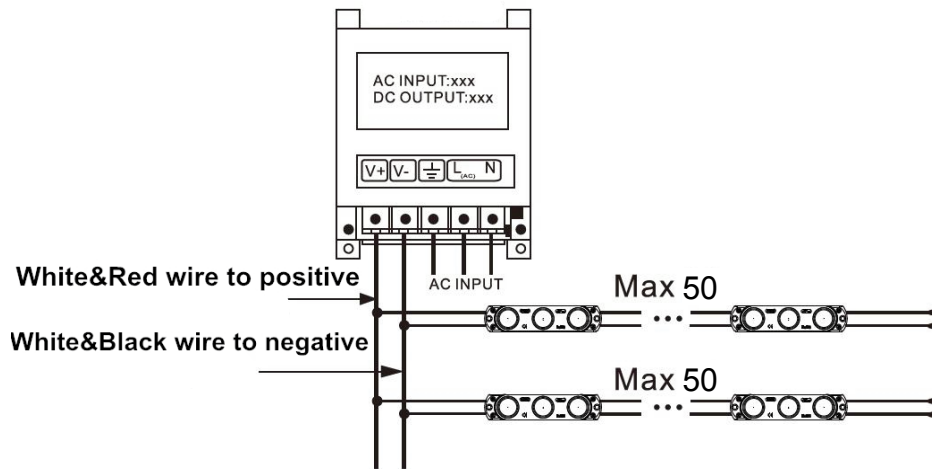
Depth(mm)	Distance(mm)	Density(pcs/m <sup>2</sup> )	Illumination(lux)
Dz=60	Dx=130 Dy=90	85	4000-4500
Dz=80	Dx=150 Dy=90	74	3500-4000
Dz=100	Dx=180 Dy=90	62	3000-3500
Dz=120	Dx=180 Dy=90	62	2500-3000
Dz=150	Dx=180 Dy=90	62	2000-2500

Remark:

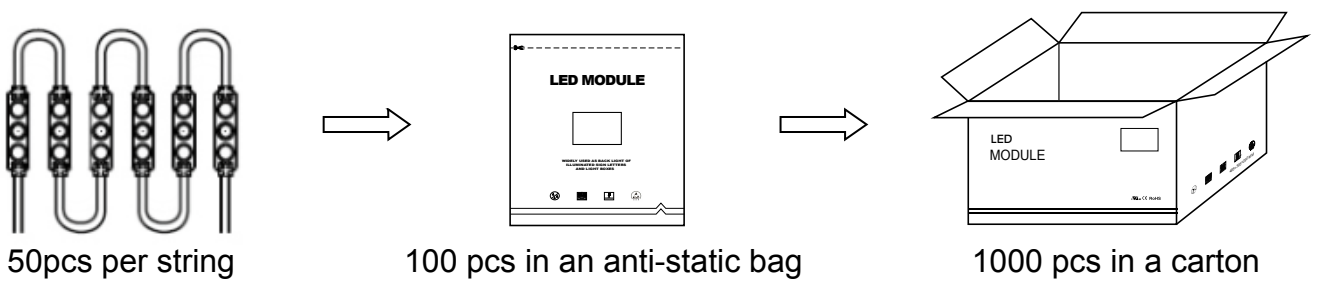
- The transmittance of the Acrylic was 56%.
- The above data is for reference only.



Wire Connection >



Packing >



Packing Specification >

- Antistatic bag adopted
- Packing information

Part Number	ZR01QB1	ZR02QB1	ZR03QB1	ZR04QB1
Carton dimension(mm)	490*450*220	490*450*220	490*450*220	490*450*220
Bags per carton	10	10	10	10
Quantity per carton(pcs)	2000	1500	1000	1000
Net Weight(kg)	12(1±10%)	15(1±10%)	15(1±10%)	22(1±10%)
Gross Weight(kg)	13(1±10%)	16(1±10%)	16(1±10%)	23(1±10%)

- Due to the packing manner difference, please subject to the original products in case of discrepancy found between the picture and actual product.

## Warning



- Disassembling or modifying the product is forbidden.
- Installation with power on is forbidden.
- Any organic solvent chemical is forbidden.
- Acidic or alkaline adhesive is forbidden when install, neutral glass cement could be used for installation purpose, make it drying in open environment for four hours.
- Isolation and corrosion prevention on all wiring points and wire ends.
- Make sure the power wire is thick enough and ensure the voltage and connections are connected correctly before power on.
- This product should be used in a sign, do not expose it in opening site.
- Installation, maintaining should be done by professional staff.
- 50 pcs in a serial connection maximum.
- The power wire between power supply and module should be less than two meters to keep the same brightness on all parts.
- Initial location with 3M tape, then secure with screws.

## Declaration



- Warranty: 7 years.
- In order to ensure the safety, the broken wires need to be replaced by the manufacturer or the service agent, or by the staff with the similar qualification.
- The given data in the specification was based on the laboratory testing, there may be discrepancy found in the actual products.
- The given drawings in the specification are only for reference, there may be discrepancy found in the actual products.
- The products are subject to change without prior notification.



**RoHS**

### Company Address:

Rm. WS, 9F, LuBan Building, Hongli West Road, Futian District, Shenzhen, China 518034

### Factory Address:

No. B, Xinyongfeng Industrial Area, Yingrenshi Village, Shiyuan Town, Bao'an District, Shenzhen, China 518000

TEL: +86-755-83544570

FAX: +86-755-83056229

Website: [www.lbyled.com](http://www.lbyled.com)

E-mail: [info@lbyled.com](mailto:info@lbyled.com)



**LBY LED**<sup>®</sup>  
signs never been so easy