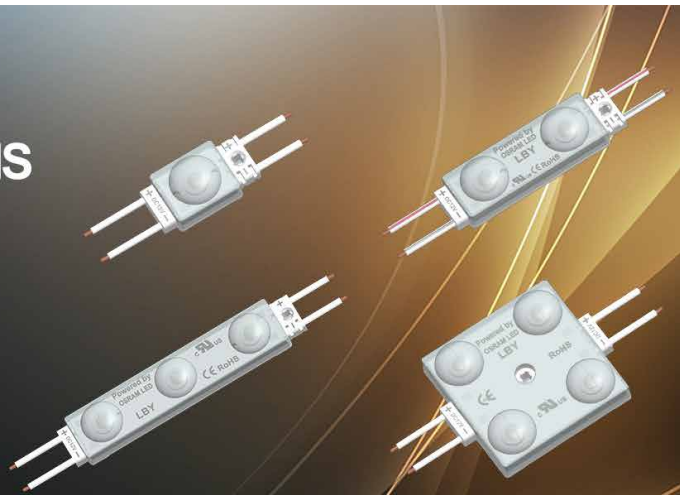


HIGH LEVEL SIGNAGE SOLUTIONS

Powered by **OSRAM LED**

170° degree beaming angle
50 modules per string.



Features >

- Sourced by high output OSRAM LED, good color conformity and no spot.
- 99.99% gold thread, pure copper bracket coated with silver.
- Constant current driving technology guarantees stable performance of product.
- SDCM≤5 each BIN.
- Special lens design, 170°beaming angle with even light.
- Overmoulded: anti-dusting, anti-moisture, waterproof, anti-shock.
- 50 pcs Max.(constant voltage) in a series connection.
- CE, ROHS and UL certified.

Application >

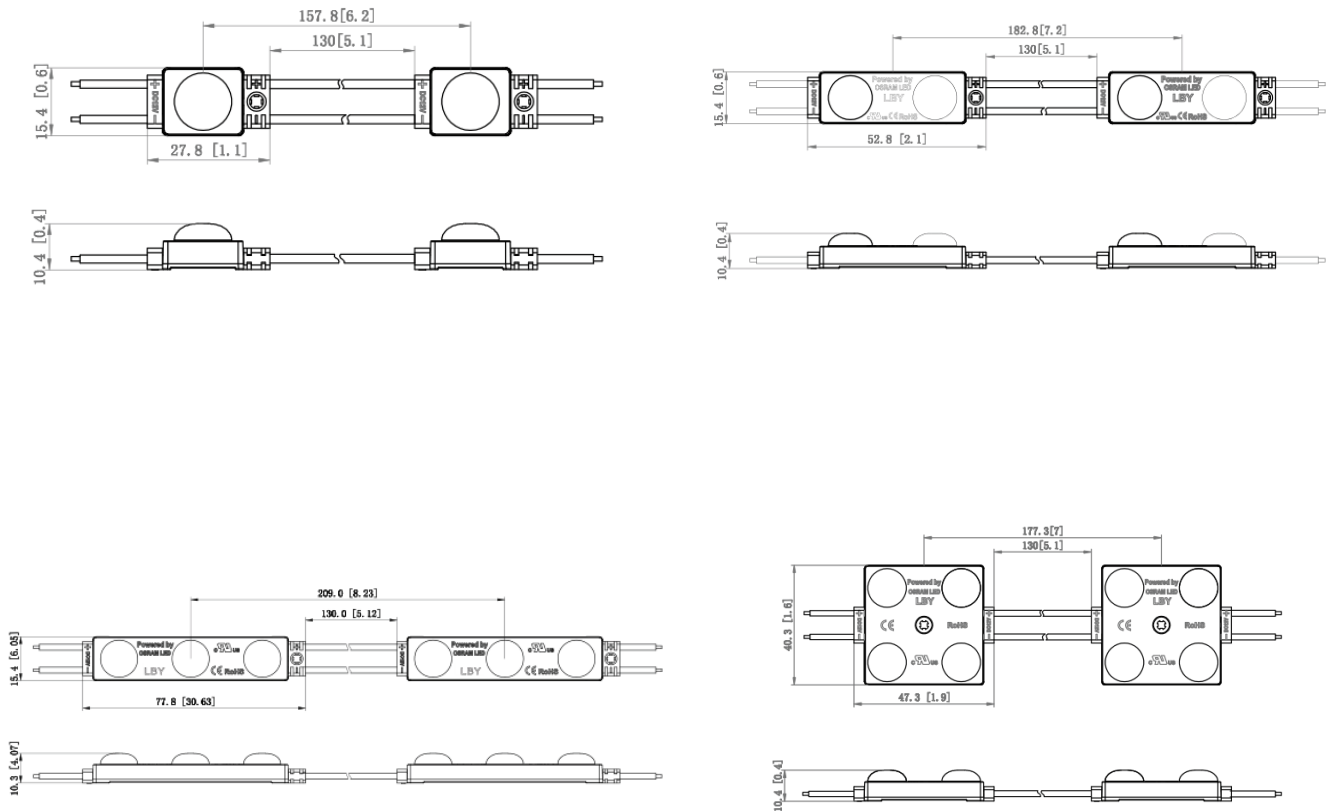
- Best for 6-15 cm depth illuminate letter or light box at airports, metros, banks, buildings and shopping malls, etc

Parameters

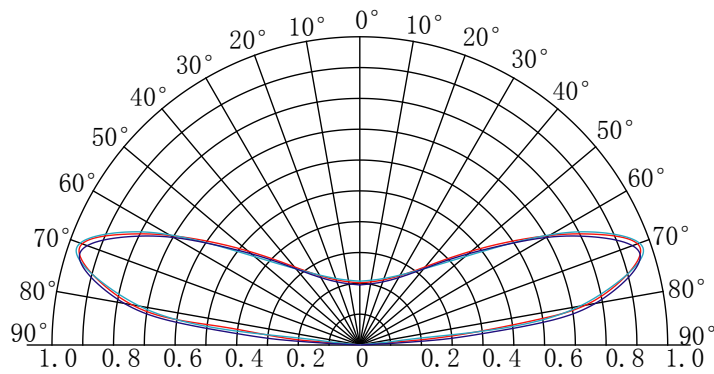
Items	Parameters			
Part Number	ZR01QB1	ZR02QB1	ZR03QB1	ZR04QB1
CCT (K)	6500K	6500K	6500K	6500K
Beaming Angle (°)	170	170	170	170
CRI (Ra)	≥80	≥80	≥80	≥80
Luminous Flux (lm)	50	100	150	200
Voltage (V)	DC12V	DC12V	DC12V	DC12V
Power (W)	0.5	1	1.5	2
Driving Method	Constant Voltage	Constant Voltage	Constant Voltage	Constant Voltage
Dimension (mm)	27.8*15.4*10.4	52.8*15.4*10.4	77.8*15.4*10.4	47.3*40.3*10.4
Weight (g)	8	9.5	10.5	12
Working Tem. (°C)	-25 ~ +60	-25 ~ +60	-25 ~ +60	-25 ~ +60
Storage Tem. (°C)	-25 ~ +70	-25 ~ +70	-25 ~ +70	-25 ~ +70
Protection Grade	IP68	IP68	IP68	IP68

Dimension

Unit:mm



Beaming Angle >



Beaming Angle 170°

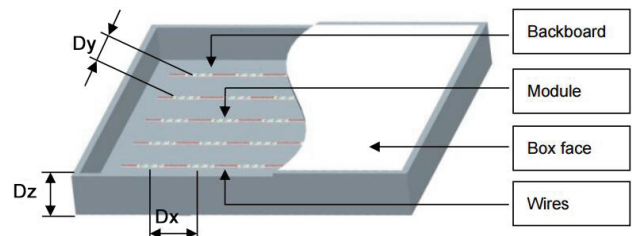
Reference Scheme >

ZR03QB1

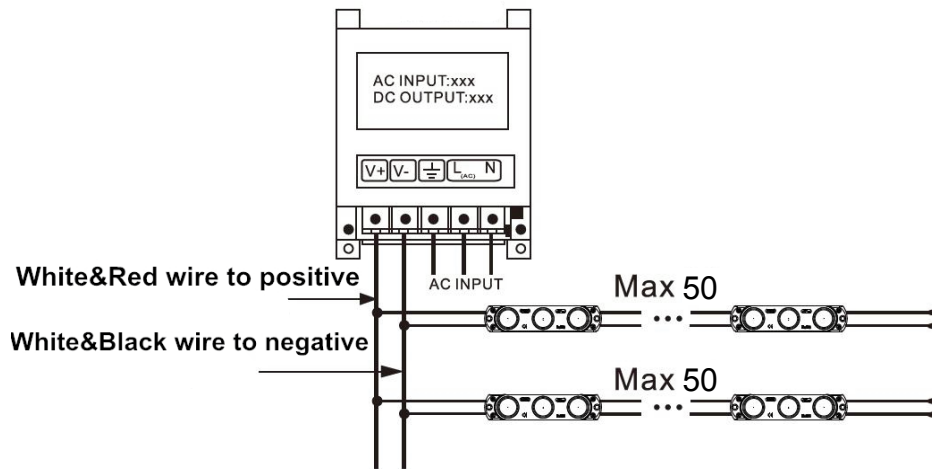
Depth(mm)	Distance(mm)	Density(pcs/m ²)	Illumination(lux)
Dz=60	Dx=130 Dy=90	85	4000-4500
Dz=80	Dx=150 Dy=90	74	3500-4000
Dz=100	Dx=180 Dy=90	62	3000-3500
Dz=120	Dx=180 Dy=90	62	2500-3000
Dz=150	Dx=180 Dy=90	62	2000-2500

Remark:

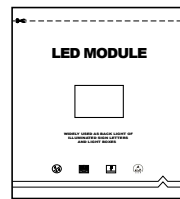
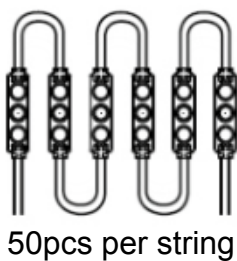
- The transmittance of the Acrylic was 56%.
- The above data is for reference only.



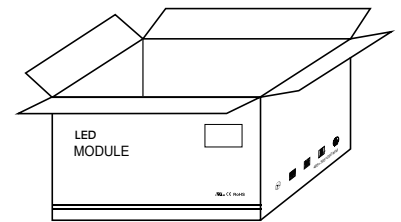
Wire Connection >



Packing >



100 pcs in an anti-static bag



1000 pcs in a carton

Packing Specification >

- Antistatic bag adopted
- Packing information

Part Number	ZR01QB1	ZR02QB1	ZR03QB1	ZR04QB1
Carton dimension(mm)	490*450*220	490*450*220	490*450*220	490*450*220
Bags per carton	10	10	10	10
Quantity per carton(pcs)	2000	1500	1000	1000
Net Weight(kg)	16(1±10%)	15(1±10%)	14(1±10%)	13.5(1±10%)
Gross Weight(kg)	17(1±10%)	16(1±10%)	15(1±10%)	14.5(1±10%)

- Due to the packing manner difference, please subject to the original products in case of discrepancy found between the picture and actual product.

Warning



- Disassembling or modifying the product is forbidden.
- Installation with power on is forbidden.
- Any organic solvent chemical is forbidden.
- Acidic or alkaline adhesive is forbidden when install, neutral glass cement could be used for installation purpose, make it drying in open environment for four hours.
- Isolation and corrosion prevention on all wiring points and wire ends.
- Make sure the power wire is thick enough and ensure the voltage and connections are connected correctly before power on.
- This product should be used in a sign, do not expose it in opening site.
- Installation, maintaining should be done by professional staff.
- 50 pcs in a serial connection maximum.
- The power wire between power supply and module should be less than two meters to keep the same brightness on all parts.
- Initial location with 3M tape, then secure with screws.

Declaration



- Warranty: 7 years.
- In order to ensure the safety, the broken wires need to be replaced by the manufacturer or the service agent, or by the staff with the similar qualification.
- The given data in the specification was based on the laboratory testing, there may be discrepancy found in the actual products.
- The given drawings in the specification are only for reference, there may be discrepancy found in the actual products.
- The products are subject to change without prior notification.



RoHS

Company Address:

Rm. WS, 9F, LuBan Building, Hongli West Road, Futian District, Shenzhen, China 518034

Factory Address:

No. B, Xinyongfeng Industrial Area, Yingrenshi Village, Shiyuan Town, Bao'an District, Shenzhen, China 518000

TEL: +86-755-83544570

FAX: +86-755-83056229

Website: www.lbyled.com

E-mail: info@lbyled.com



LBY LED[®]
signs never been so easy