



Features >

- Sourced by high output SMD5050, good color conformity and no spot.
- 99.99% gold thread, pure copper bracket coated with silver.
- SDCM≤5 each BIN.
- Special lens design, 160°beaming angle with even light.
- Overmoulded: anti-dusting, anti-moisture, waterproof, anti-shock.
- 20 pcs Max. in a series connection.
- CE, ROHS and UL certified.

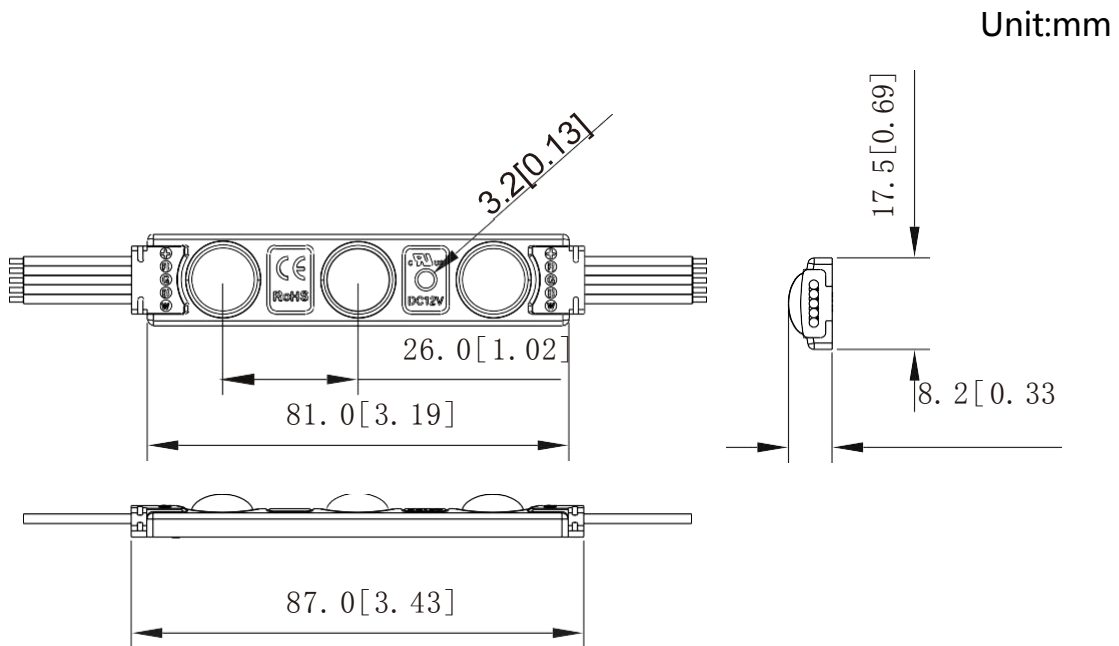
Application >

- Best for 8-15 cm depth signs at airports, metros, banks, buildings and shopping malls, etc.

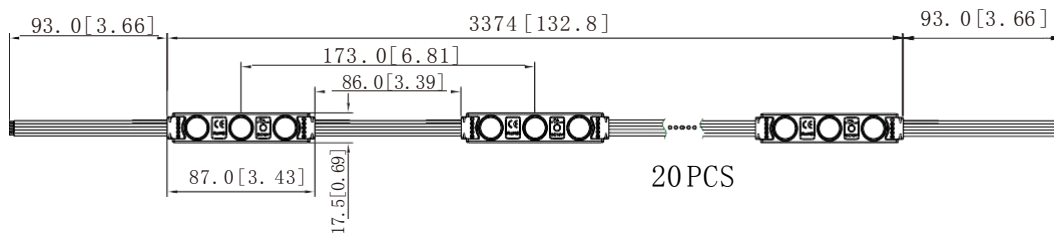
Parameters >

Items	Parameters
Part Number	ZH03QA8
CCT (K)	RGBW
Beaming Angle (°)	160
CRI (Ra)	75
Luminous Flux (lm)	R6 G22 B5 W20
Voltage (V)	DC12
Power (W)	0.96
Driving Method	Constant Voltage
Dimension (mm)	87*17.5*8.2
Weight (g)	13.5
Working Tem. (°C)	-25 ~ +60
Storage Tem. (°C)	-25 ~ +70
Protection Grade	IP65

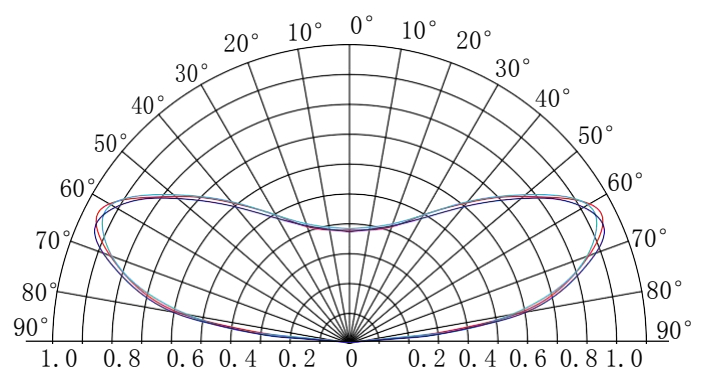
Dimension >



Product wiring diagram



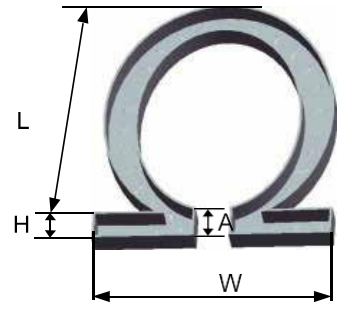
Beaming Angle >



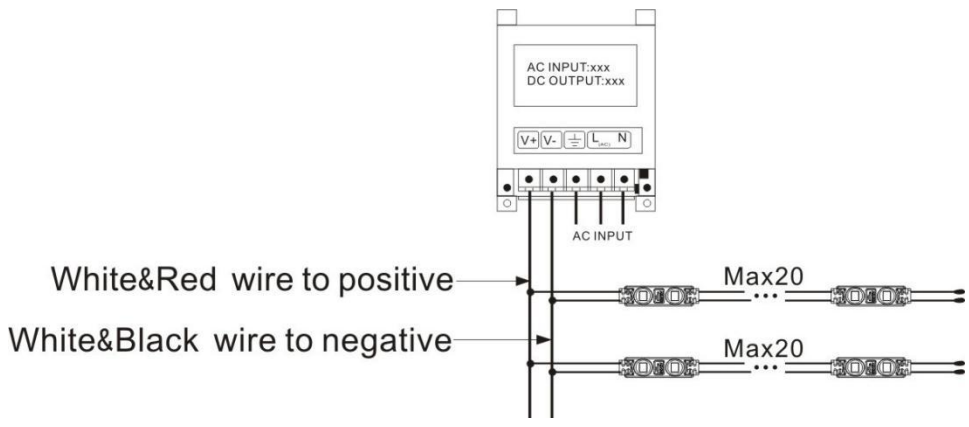
Reference Scheme >

Depth(mm)	Channel Letter Size(mm)	Area(m ²)	Distance (mm)	Total quantity(pcs)	Density(pcs/m ²)	Illumination(lux)
H=80	670*640*80	0.42	$\frac{dx=100}{dy=50}$	86	200	1000~1200
H=100	840*810*100	0.68	$\frac{dx=120}{dy=70}$	82	120	900~1100
H=120	1020*1200*150	0.98	$\frac{dx=140}{dy=70}$	120	100	800~1000
H=150	1250*1200*150	1.50	$\frac{dx=160}{dy=70}$	133	89	700~900

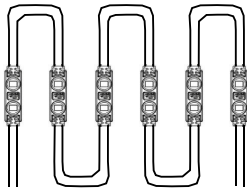
- The acrylic plate in the case is 3mm thickness, and the light transmittance is 54.4%.
- The illumination above is the minimum data when evenly lighted.
- The above data is for reference only.



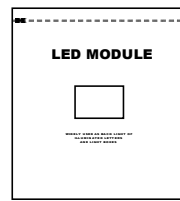
Wire Connection >



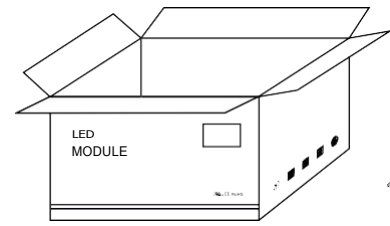
Packing



20pcs per string



100pcs in an antistatic bag



1000pcs per carton

Packing Specification



- Antistatic bag adopted
- Packing information

Part Number	ZH03QA8
Carton dimension(mm)	490*450*220
Bags per carton	10
Quantity per carton(pcs)	1000
Net Weight(kg)	14.50(1±10%)
Gross Weight(kg)	15.80(1±10%)

- Due to the packing manner difference, please adhere to the original products in case of discrepancy found between the picture and actual product.

Warning



- Disassembling or modifying the product is forbidden.
- Installation with power on is forbidden.
- Any organic solvent chemical is forbidden.
- Acidic or alkaline adhesive is forbidden when install, neutral glass cement could be used for installation purpose, make it drying in open environment for four hours.
- Isolation and corrosion prevention on all wiring points and wire ends.
- Make sure the power wire is thick enough and ensure the voltage and connections are connected correctly before power on.
- This product should be used in a sign, do not expose it in opening site.
- Installation, maintaining should be done by professional staff.
- 20 pcs in a serial connection maximum.
- The power wire between power supply and module should be less than two meters to keep the same brightness on all parts.
- Initial location with 3M tape, then secure with screws.

Declaration



- Warranty: 5 years.
- In order to ensure the safety, the broken wires need to be replaced by the manufacturer or the service agent, or by the staff with the similar qualification.
- The given data in the specification was based on the laboratory testing, there may be discrepancy found in the actual products.
- The given drawings in the specification are only for reference, there may be discrepancy found in the actual products.
- The products are subject to change without prior notification.



RoHS

Company Address:

Rm. WS, 9F, LuBan Building, Hongli West Road, Futian District,
Shenzhen, China 518034

Factory Address:

No. B, Xinyongfeng Industrial Area, Yingrenshi Village, Shiyao Town,
Bao'an District, Shenzhen, China 518000

TEL: +86-755-83544570

FAX: +86-755-83056229

Website: www.lbyled.com

E-mail: info@lbyled.com



LBY LED[®]
signs never been so easy