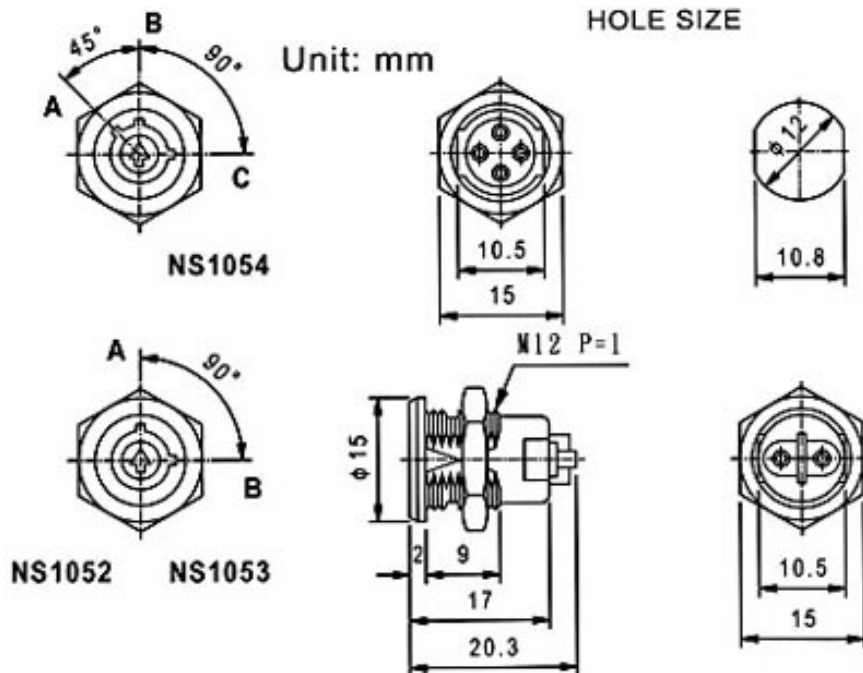


MICRO SWITCH LOCK



DESCRIPTION:

- Zinc alloy die cast housing and cylinder.
- Bright chrome plated standard.
- 4 pin tumbler mechanism.
- Zinc alloy tubular keys, chrome plated.
- Key may be withdrawn in one or both positions.
- Silver plated contacts and terminals.
- NS1052 2 position (off-on) 2 terminals,
- NS1053 2 position (on-on) 4 terminals,
- NS1054 3 position (off-on-on) 4 terminals,
- Hex nut or speed clip mounted.
- All keyed alike or 6 combinations standard.
- 6 combinations available.

KEY-PULL FIGURES :

○ -Off Position

┃ -Indicates Key-Pull

● -Indicates No Key-Pull



Fig. No.	Lock Number	Pole	Positions	Terminals	Key Pulls	Turn	↺	↑	→	Type
1	NS1052	1	2	2	2	90 °		Off	On	SPST
2	NS1053	1	2	4	2	90 °		On	On	SPDT
3	NS1054	1	3	4	3	45 °-0 °-90 °	Off	On	On	SPDT

