

# KPB22 Series

22mm Illuminated Pushbutton Switches



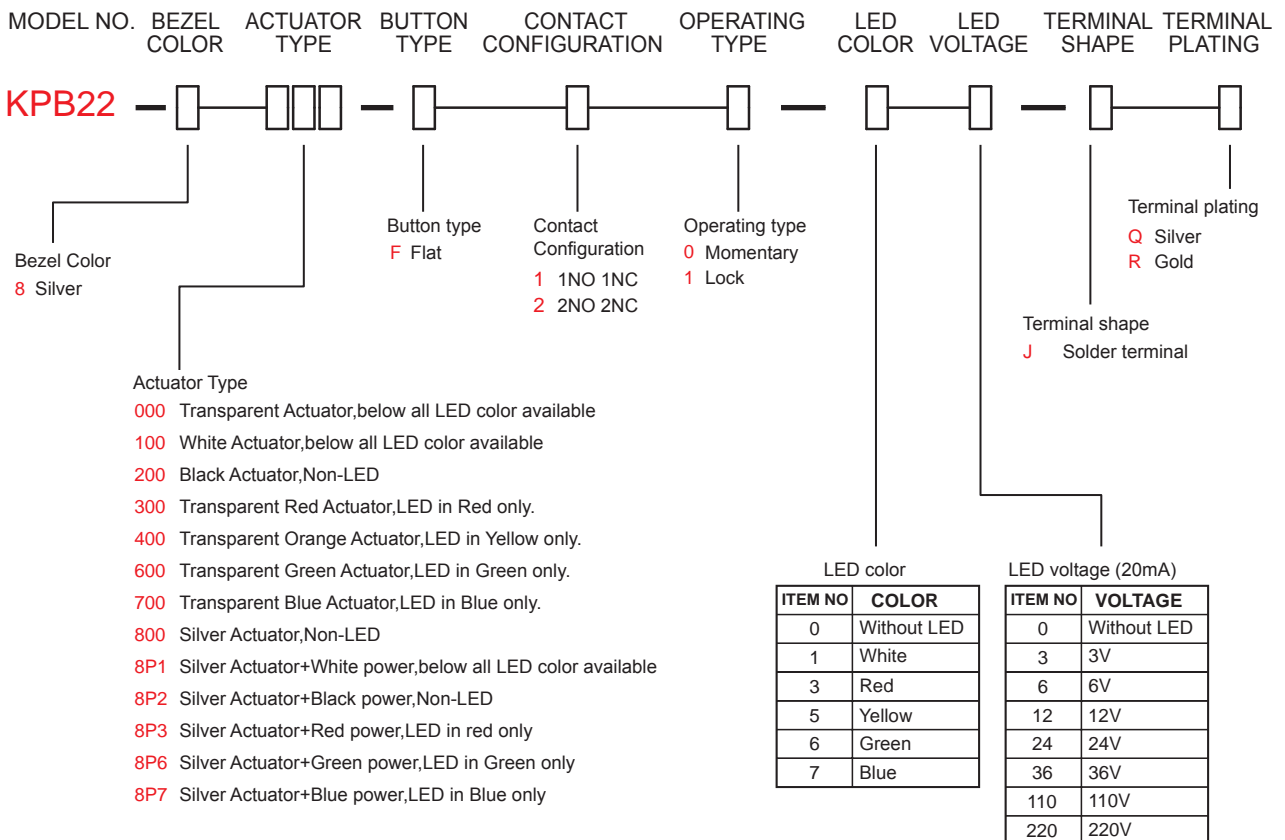
## SPECIFICATIONS

**RATING** : 1th 5A/250VAC. resistive load 3A/250VAC.  
**CONTACT RESISTANCE** : 50mΩ MAX. @1A 12VDC(initial value).  
**INSULATION RESISTANCE** : 1,000MΩ MIN at 500VDC.  
**DIELECTRIC STRENGTH** : 2,000V RMS@sea level.  
**OPERATION TEMPERATURE** : -20°C to 55°C.  
**MECHANICAL LIFE** : Momentary 1,000,000 cycles  
 Lock 500,000 cycles  
**ELECTRICAL LIFE** : 50,000 make-and-break cycles at full load.  
**TORQUE** : 1~3Nm.  
**PANEL THICKNESS** :  
**OPERATION PRESSURE** : 2.5±1N.  
**TRAVEL** : ABOUT 3.2mm.  
**INGRESS PROTECTION** : IP65

## MATERIALS

**BEZEL** : PC  
**BASE** : PBT(UL 94-V0) & PC(UL 94-V2)  
**ACTUATOR** : PC & POM.  
**INNER ASSEMBLY** : POM. / PA66.  
**SPRING** : Stainless steel.  
**SEALING** : Sillicone.  
**O-Ring** : Sillicone.  
**TERMINAL / CONTACT** : Brass,Silver plated.  
**HEX NUT** : PC.

## HOW TO ORDER



EXAMPLE:

KPB22-KPB22-88P1-F10-□-JQ  
 LED color — LED voltage



KPB22 Pushbutton Switches

# KPB22 Series

22mm Illuminated Pushbutton Switches

## CIRCUIT

POSITION 1

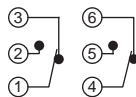


Without LED (1 Pole)

POSITION 2

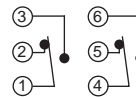


POSITION 1

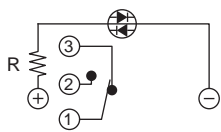


Without LED (2 Poles)

POSITION 2

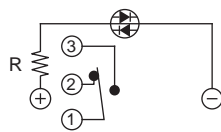


POSITION 1

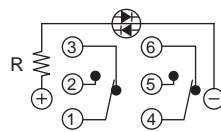


Single Color Led (1 Pole)

POSITION 2

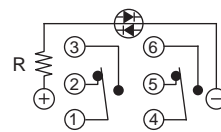


POSITION 1



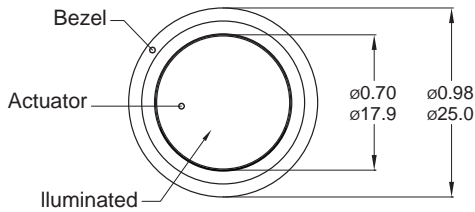
Single Color Led (2 Poles)

POSITION 2

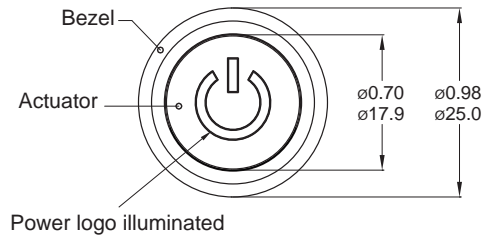


## ACTUATOR TYPE

### ACTUATOR

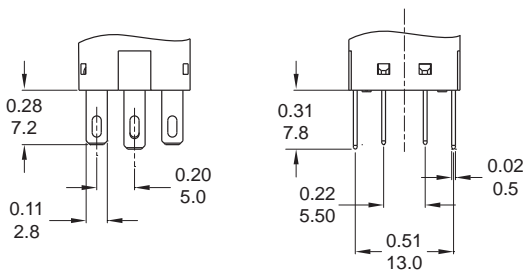


### POWER



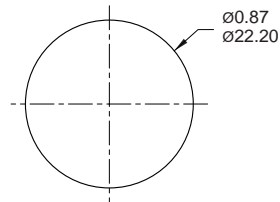
## TERMINAL TYPE

### J Solder terminal (std)



### PANEL MOUNTING

Max. Panel thickness: 6.0mm[0.24]



### O-RING INSTALLATION

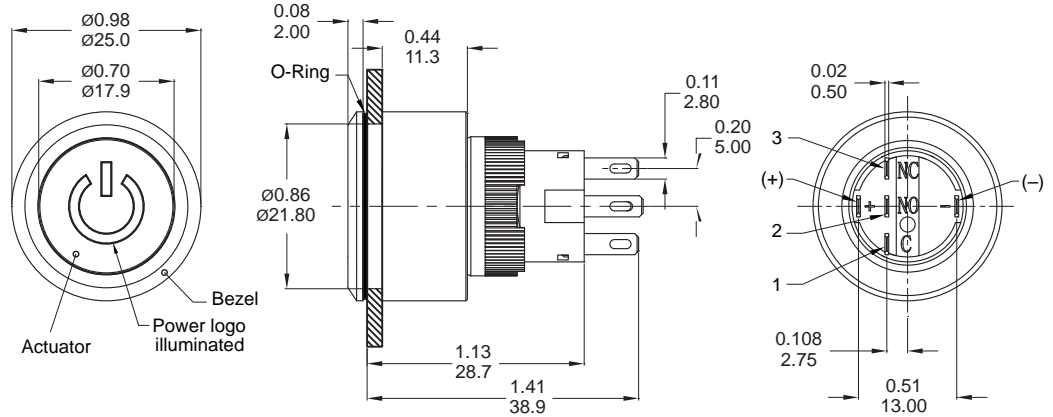
Proposal	In front of the panel
Installation Diagram	

KPB22 Pushbutton Switches

# KPB22 Series

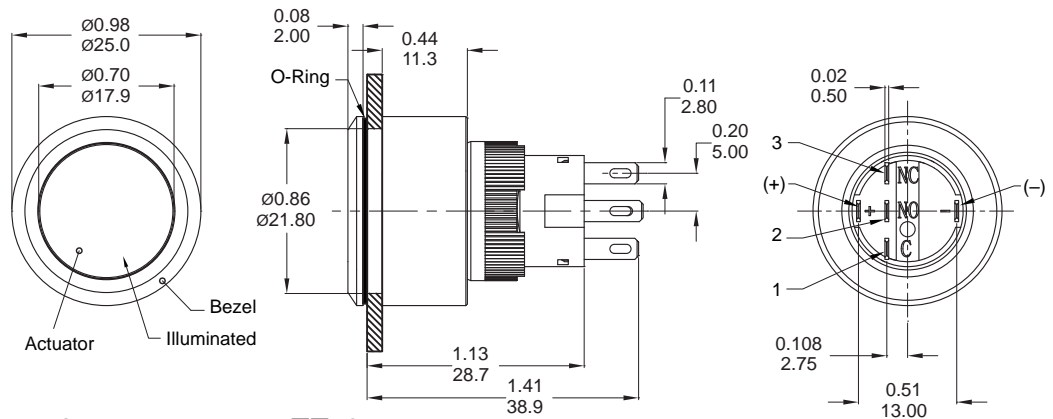
## 22mm Illuminated Pushbutton Switches

8P1



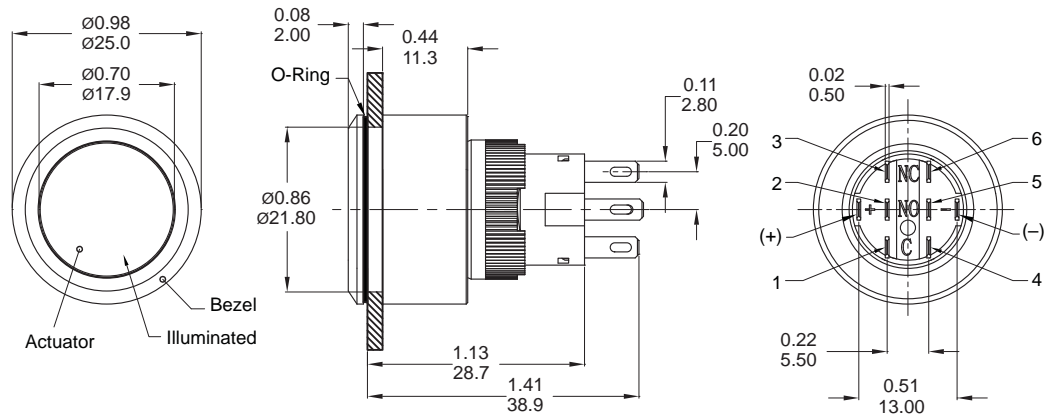
Part No. Shown : KPB22-88P1-F10-□□-JQ

000



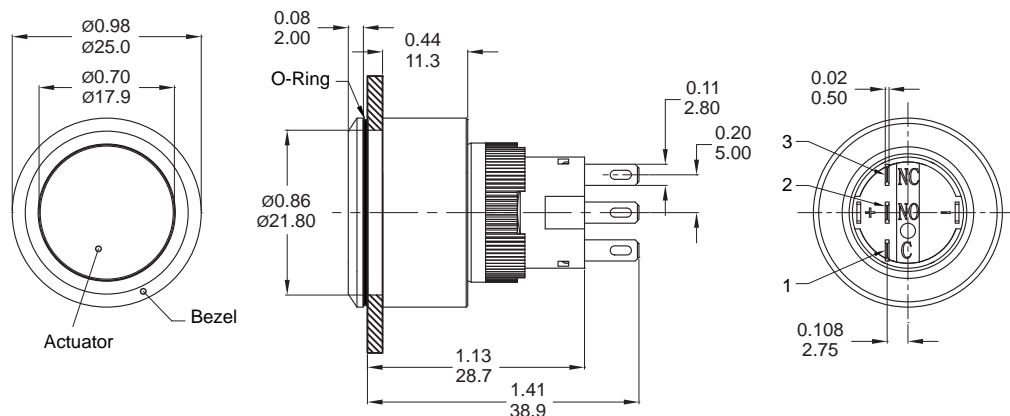
Part No. Shown : KPB22-8000-F10-□□-JQ

400



Part No. Shown : KPB22-8400-F20-5□-JQ

800 Non-LED



Part No. Shown : KPB22-8800-F10-JQ

