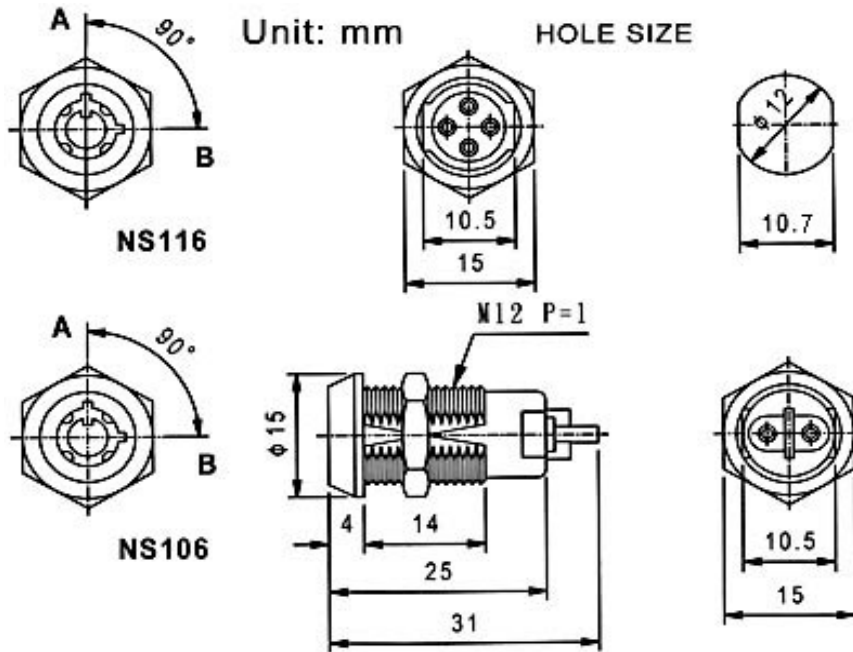


NS106 NS106M

MICRO SWITCH LOCK



DESCRIPTION:

- Zinc alloy die cast housing and cylinder.
- Bright chrome plated standard.
- 4 pin tumbler mechanism.
- Zinc alloy tubular keys, chrome plated, with plastic cover.
- Key may be withdrawn in one or both positions.
- Silver plated contacts and terminals.
- NS106 2 position (off-on) 2 terminals.
- NS106M 2 position (off-on) 4 terminals spring loaded for momentary contact.
- Hex nut mounted.
- All keyed alike or 200 combinations standard.
- 200 combinations available.

KEY-PULL FIGURES :

- -Off Position
- ▬ -Indicates Key-Pull
- -Indicates No Key-Pull



| Fig. No. | Lock Number | Pole | Positions | Terminals | Key Pulls | Turn | ⤴ | ⤵ | Type |
|----------|-------------|------|-----------|-----------|-----------|------|-----|------|------|
| 1 | NS106-1 | 1 | 2 | 2 | 1 | 90° | Off | On | SPST |
| 2 | NS106-2 | 1 | 2 | 2 | 2 | 90° | Off | On | SPST |
| 1 | NS106M | 1 | 2 | 2 | 1 | 90° | Off | (On) | SPST |