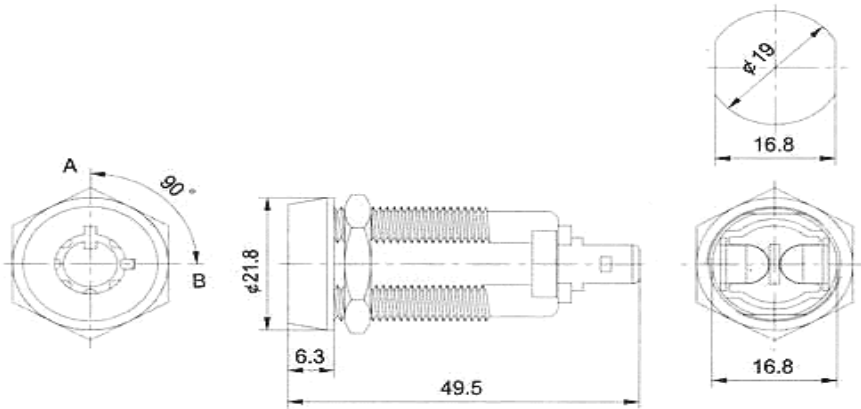


S212Z

FULL SIZE LARGE TUBULAR SWITCH LOCK

Recommended hole size

Unit: mm



DESCRIPTION:

- Zinc alloy die cast housing and plastic cylinder.
- Bright chrome plated standard.
- 7 pin tumbler mechanism.
- Steel made tubular keys, nickel plated.
- Key may be withdrawn in one or both positions.
- Silver plated contacts and terminals.
- S212Z 2 position (off-on) 2 spade terminals.
- S212ZA 2 position (off-on) 2 spade terminals, spring loaded for momentary contact.
- Hex nut mounted.
- All keyed alike or one combination per 100pcs standard.
- 10000 combinations available.

KEY-PULL FIGURES :

- -Off Position
- ▮ -Indicates Key-Pull
- -Indicates No Key-Pull

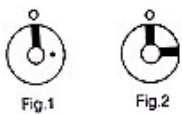


Fig. No.	Lock Number	Pole	Positions	Terminals	Key Pulls	Turn	⤴	⤵	Type
1	S212Z-1	1	2	2	1	90 °	Off	On	SPST
2	S212Z-2	1	2	2	2	90 °	Off	On	SPST
1	S212ZA	1	2	2	1	90 °	Off	(On)	SPST