



yeswitch

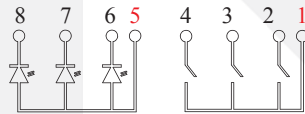
Navigation Switches Series SNA3



General Specifications	
Current Rating	:50mA
Voltage Rating	:12VDC
Dielectric Withstanding Voltage	:250VAC for 1 minute
Contact Resistance	:100m Ohm Max.(initial)
Insulation Resistance	:100M Ohm Min.
Operating Force	:190gf ± 50gf
Total Travel	:0.2mm ± 0.1mm
Operating Life	:1,000,000 cycles Min.
Solder Specifications	:260 deg. for 3 seconds
Function	:SP3T
Operating Temperature	:-10 deg.~+60 deg.

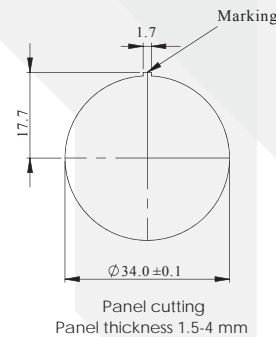
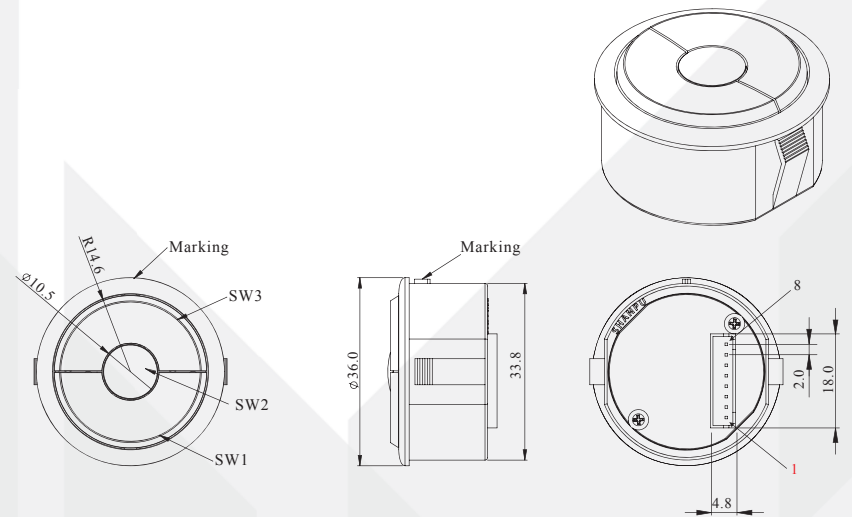
Materials	
Cap	:Polycarbonate (PC)
Base	:Polyamide (PA)
Reflector	:Polyoxymethylene (POM)
Switch Terminal	:Brass with gold plating
Action Dome	: Phosphor Bronze with silver plating
Sealing rubber	:Silicone
Connectora	:PA , Brass with Tin plating

Contact Configuration



Pin	Function
1	SW COM.
2	SW 1 N.O.
3	SW 2 N.O.
4	SW 3 N.O.
5	LED+
6	LED1-
7	LED2-
8	LED3-

Dimension / Panel cutting





The Connector for SNA3 module
similar JST B8B-PH-K-A
Applicable Connector: Conductor pitch / 2.0mm
Conductor width / 0.5mm



yeswitch

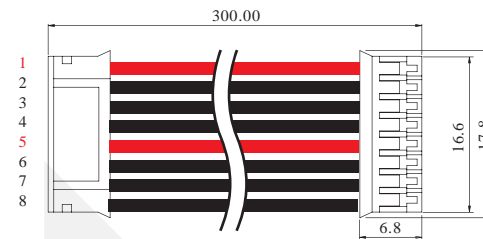
Navigation Switches Series SNA3

How to order

Module		
Part No	SNA3S2552	SNA3S1441
Description	SNA3S Yellow LED, Black housing, Black Cap Marking 2.	SNA3S Red LED, White housing, White Cap Marking 1.

- ※ Color is subject to actual product.
- ※ We provide Marking service.

Option



Cable: YCW011