

# BP Series

Short-Stroke Touch Switches(Washable)



## SPECIFICATIONS

**CIRCUIT:** SPST

**FUNCTION:** Momentary

**CONATE RATING:** 50 mA @ 12V DC.

**OPERATING FORCE:** 350 gf ±100gf.

**TOTAL TRAVEL:** 0.25mm ± 0.10mm

**MECHANICAL LIFE:** 100,000 make-and-break cycles.

**CONTACT RESISTANCE:** 100mΩ max. initial

**INSULATION RESISTANCE:** 100MΩ min.

**DIELECTRIC STRENGTH:** 250 V RMS @ sea level.

**OPERATING TEMPERATURE:** -25C to70C.

## MATERIALS

**CASE:** Glass filled Nylon 6/6(UL 94-V0).

**HOUSING:** Glass filled Nylon 6/6(UL 94-V0).

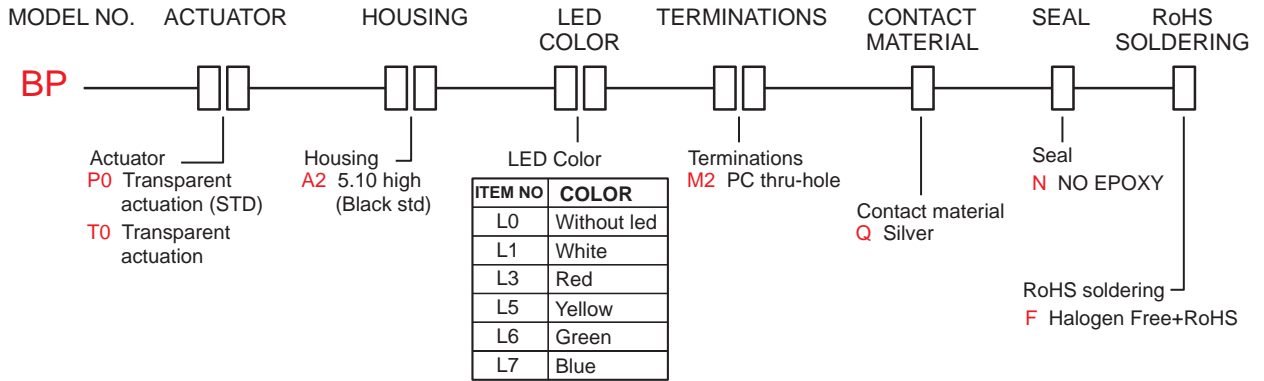
**ACTUATOR:** PC.

**TERMINAL/CONTACT:** Brass,Silver plated.

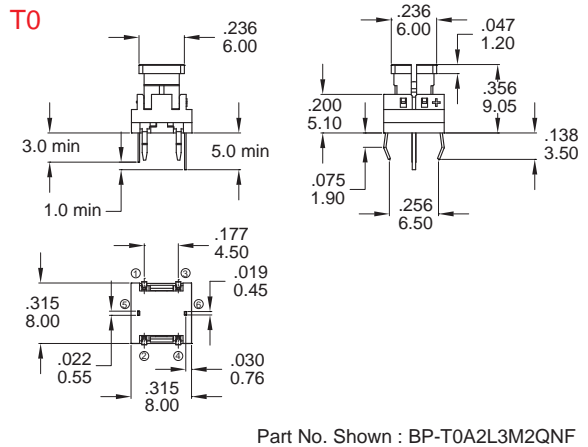
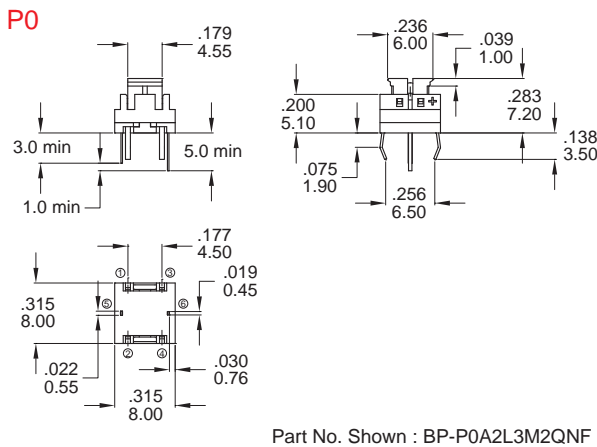
IP 67  
ACCORDING TO  
EN 60529:1991+A1:2001  
IEC 60529:2001



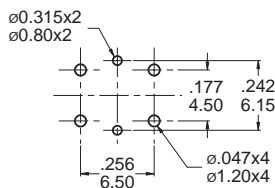
## HOW TO ORDER



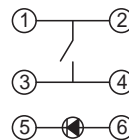
## ACTUATOR TYPE



## P.C.B MOUNTING / CIRCUIT



PCB Mounting



CIRCUIT

BP  
Tact Switches