

FAT-12A Fiber Access Terminal - 12 Cores

Description

FAT-12A fiber access termination box is able to hold up to 12 subscribers. It is used as a termination point for the feeder cable to connect with drop cable in FTTx network system. It integrates fiber splicing, splitting, distribution, storage and cable connection in one solid protection box.

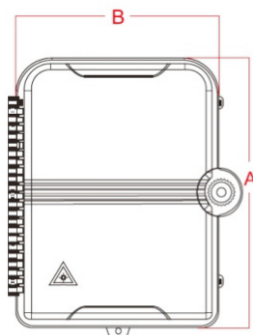
Features

- Water-proof design with IP-66 Protection level.
- Integrated with splice cassette and cable management rods.
- Manage fibers in a reasonable fiber radius condition.
- Easy to maintain and extend the capacity.
- Fiber bend radius control more than 40mm.
- Suitable for the fusion splice or mechanical splice.
- 1*8 Splitter can be installed as an option.
- Efficient cable management.
- 12 ports cable entrance for drop cable.

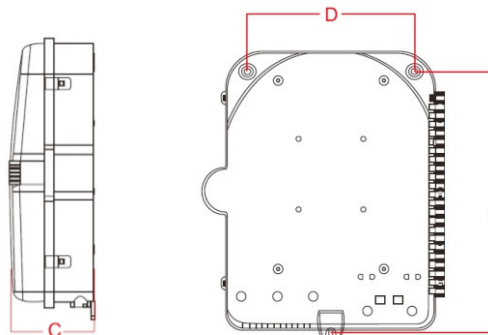


Configuration

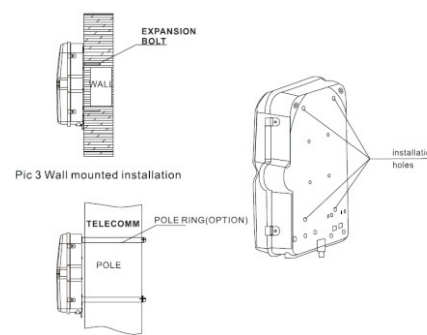
Material	Size	Max Capacity			Installation size	Weight	Color
PC +ABS	A*B*C(mm) 225*200*65	SC 12 Ports	LC 24 Ports	PLC 1x8(SC)	D*E(mm) 168*210	0.85kg	Light Gray



Pic 1 Box Size



Pic 2 Installation Size



Pic 3 Wall mounted installation